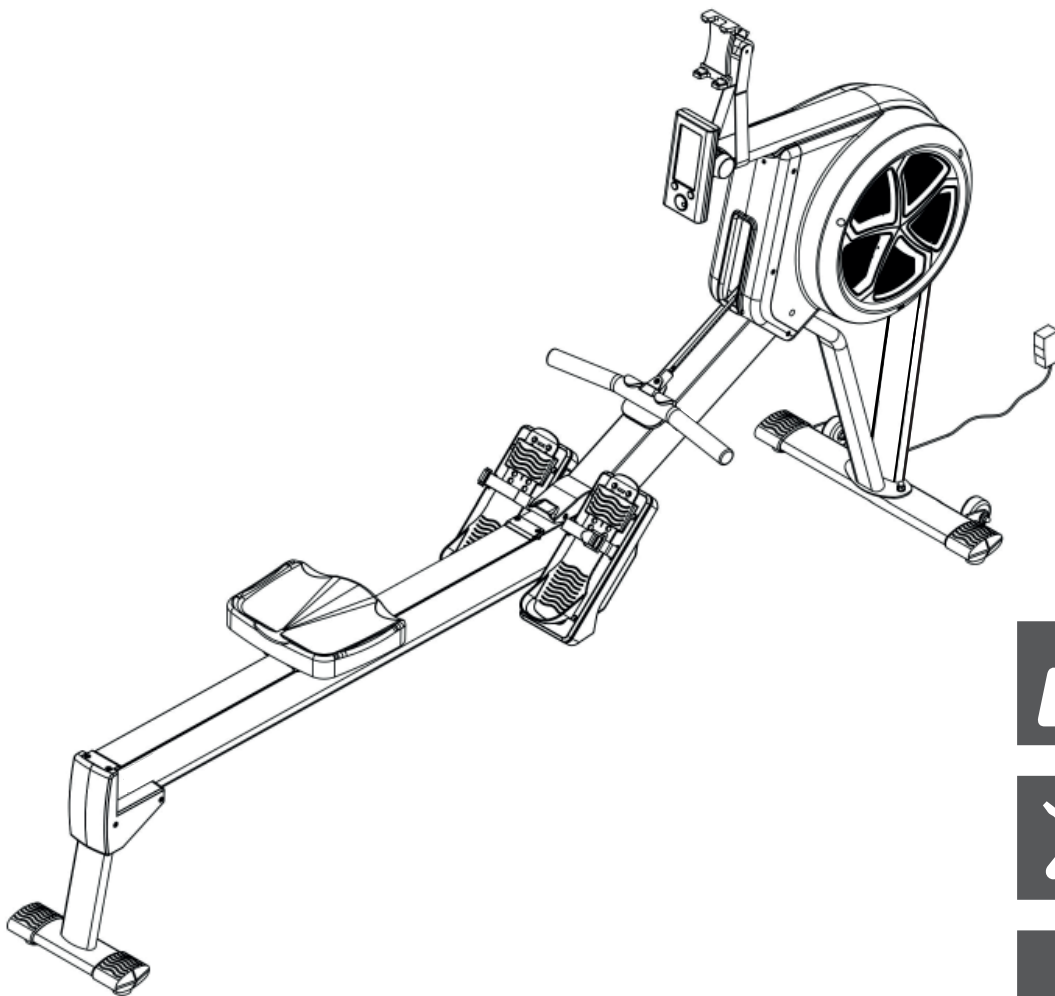


# TAURUS®

## Assembly and Operating Instructions



max. 150 kg



~30-60 Min.



47 kg

L 250 | W 63 | H 145

TFROWXPLUS.01.02

Art. No. TF-ROW-X-PLUS

Rowing Machine ROW-X PLUS



# Content

<b>1</b>	<b>GENERAL INFORMATION</b>	<b>7</b>
1.1	Technical Data	7
1.2	Personal Safety	8
1.3	Electrical Safety	9
1.4	Set-Up Place	10
<b>2</b>	<b>ASSEMBLY</b>	<b>11</b>
2.1	General Instructions	11
2.2	Scope of Delivery	12
2.3	Assembly	13
2.4	Settings/Adjusting the Rowing Machine	17
<b>3</b>	<b>OPERATING INSTRUCTIONS</b>	<b>19</b>
3.1	Console Display	19
3.2	Button Functions	20
3.3	Operations	21
3.4	Programmes	22
3.4.1	Quick Start	22
3.4.2	P1 - Manueller Modus (Manual Mode)	22
3.4.3	P2 - Zeitvorgabe (Goal Time)	22
3.4.4	P3 - Kalorienvorgabe (Goal Calorie)	22
3.4.5	P4 - Distanzvorgabe (Goal Distance)	22
3.4.6	P5 - Rennen (Race)	22
3.4.7	P6 - P9 - High Intensity Interval Training (HIIT)	23
3.5	Bluetooth and Fitness Apps	26
3.6	Notes on correct rowing	27
<b>4</b>	<b>STORAGE AND TRANSPORT</b>	<b>30</b>
4.1	General Instructions	30
4.2	Transportation Wheels	30
4.2.1	Folding Up the Rowing Machine	31
4.2.2	Unfolding the Rowing Machine	31
4.3	Disconnect and Connect the Monorail	32
4.3.1	Disconnect the Monorail from the Rowing Machine	32
4.3.2	Connect the Monorail to the Rowing Machine	33

<b>5</b>	<b>TROUBLESHOOTING, CARE AND MAINTENANCE</b>	<b>34</b>
5.1	General Instructions	34
5.2	Faults and Fault Diagnosis	34
5.3	Maintenance and Inspection Calendar	35
<b>6</b>	<b>DISPOSAL</b>	<b>35</b>
<b>7</b>	<b>RECOMMENDED ACCESSORIES</b>	<b>36</b>
<b>8</b>	<b>ORDERING SPARE PARTS</b>	<b>37</b>
8.1	Serial Number and Model Name	37
8.2	Parts List	38
8.3	Exploded Drawing	42
<b>9</b>	<b>WARRANTY</b>	<b>43</b>
<b>10</b>	<b>CONTACT</b>	<b>45</b>

## Dear customer,

Thank you for choosing a high-quality equipment of the brand Taurus®. Taurus® offers sports and fitness equipment for the sophisticated home sport and the equipment of fitness studios and business customers. With Taurus® fitness equipment, the focus is on what sport is all about: maximum performance! Therefore, the equipment is developed in close consultation with athletes and sports scientists. Because athletes know best what makes perfect fitness equipment.

Further information can be found at [www.sport-tiedje.com](http://www.sport-tiedje.com).

### Intended Use

The equipment may only be used for its intended purpose.

This fitness equipment is suitable for home use, semi-professional use and commercial or professional use. The semi-professional sector includes, for example, institutional facilities such as hospitals, schools, hotels and associations. Professional use refers to commercial use, e.g. in a fitness studio.

## Legal Notice

Sport-Tiedje GmbH  
Europe's No. 1 for home fitness

International Headquarters  
Flensburger Straße 55  
24837 Schleswig  
Germany

Management:  
Christian Grau  
Sebastian Campmann  
Dr. Bernhard Schenkel  
No. HRB 1000 SL  
Local Court Flensburg  
European VAT Number: DE813211547

## Disclaimer



©2011 Taurus® is a registered brand of the company SportTiedje GmbH. All rights reserved. Any use of this trademark without the explicit written permission of Sport-Tiedje is prohibited.

Product and manual are subject to change. Technical data can be changed without advance notice.

## ABOUT THIS MANUAL

Please carefully read the entire manual before installation and first use. The manual will help you to quickly set up the system and explains how to safely use it. Make sure that all persons exercising with the equipment (especially children and persons with physical, sensory, mental or motor disabilities) are informed about this manual and its contents in advance. In case of doubt, responsible persons must supervise the use of the equipment.



Due to ongoing changes and software optimisations, the manual may have to be updated. If you notice any discrepancies during assembly or use, please refer to the manual uploaded to the webshop. The latest manual is always available there.

This equipment has been manufactured according to the latest safety knowledge. As far as possible, potential safety hazards which could cause injury have been eliminated. Make sure to carefully follow the instructions and that all parts are securely in place. If required, read through the instructions again to correct any mistakes.

Please pay close attention to the safety and maintenance instructions given here. The contract partner cannot be held liable for damage to health, accidents or damage to the equipment when it is not used in accordance with these instructions.

The following safety instructions may appear in this manual:

► **ATTENTION**

This notice indicates potentially hazardous situations which, if not avoided, may result in property damage.

⚠ **CAUTION**

This notice indicates potentially hazardous situations which, if not avoided, may result in slight or minor injuries!

⚠ **WARNING**

This notice indicates potentially hazardous situations which, if not avoided, may result in death or serious injuries!

⚠ **DANGER**

This notice indicates potentially hazardous situations which, if not avoided, will result in death or serious injuries!

ⓘ **NOTICE**

This notice indicates further useful information.

Retain these instructions in a safe place for future reference, maintenance or when ordering replacement parts.

## 1.1 Technical Data

### LCD display of

- + strokes, strokes per minute
- + training time in min
- + distance in m
- + time/500 m: average / current
- + calories burnt in kcal
- + heart rate (when using a chest strap)
- + Watt
- + resistance level

Resistance system:	combined air/magnet brake system
Resistance level:	16
Total number of training programs:	10

### Weight and dimensions:

Article weight (gross, including packaging):	53.8 kg
Article weight (net, without packaging):	46.5 kg
Packaging dimensions (L x W x H):	approx. 1245 mm x 1055 mm x 420 mm
Set-up dimensions (L x W x H):	approx. 2500 mm x 628 mm x 1450 mm
User weight:	150 kg/330 lbs

## 1.2 Personal Safety

### **DANGER**

- + Before you start using the equipment, you should consult your physician that this type of exercise is suitable for you from a health perspective. Particularly affected are persons who: have a hereditary disposition to high blood pressure or heart disease, are over the age of 45, smoke, have high cholesterol values, are overweight and/or have not exercised regularly in the past year. If you are under medical treatment that affects your heart rate, medical advice is absolutely essential.
- + Note that excessive training can seriously endanger your health. Please also note that heart rate monitoring systems can be inaccurate. If you notice any signs of weakness, nausea, dizziness, pain, shortness of breath, or other abnormal symptoms, stop exercising immediately and seek advice from your doctor if necessary.

### **WARNING**

- + This equipment may not be used by children under the age of 14.
- + Children should not be allowed unsupervised access to the equipment.
- + Persons with disabilities must have a medical license and must be under strict observation when using the equipment.
- + The equipment is strictly for use by one person at a time.
- + If your equipment provides a safety key, the clip of the safety key must be attached to your clothing before starting your training. In the event of a fall, the EMERGENCY STOP of the equipment can be initiated.
- + Keep your hands, feet and other body parts, hair, clothing, jewellery and other objects well clear of moving parts.
- + During use, wear suitable sports clothing rather than loose or baggy clothing. When wearing sports shoes, make sure they have suitable soles, preferably made of rubber or other non-slip materials. Shoes with heels, leather soles, studs or spikes are unsuitable. Never exercise barefoot.

### **CAUTION**

- + If your equipment needs to be connected to the power supply with a mains cable, make sure that the cable is not a potential tripping hazard.
- + Make sure that nobody is within the range of motion of the equipment during training so as not to endanger you or other persons.

### **ATTENTION**

- + Do not insert any objects of any kind into the openings of the device.



## 1.3 Electrical Safety

### **DANGER**

- + In order to reduce the risk of an electric shock, always unplug the equipment from the mains socket immediately after your workout, before assembly or dismantling, and before maintenance or cleaning. Do not pull on the cable.

### **WARNING**

- + Do not leave the equipment unattended while the mains cable is plugged into the mains socket. During your absence, the mains cable must be removed to prevent improper use by third parties or children.
- + If the mains cable or plug is damaged or defective, contact your contract partner. In the meantime, the equipment must not be used.

### **ATTENTION**

- + The equipment requires a mains connection of 220-230V with 50 Hertz mains voltage.
- + The equipment may only be connected directly to an earthed socket using the supplied mains cable. Extension cables must conform to VDE guidelines. Always completely unwind the mains cable.
- + The socket must be protected by a fuse with a minimum fuse rating of "16 amps, slow blow".
- + Do not make any changes to the mains cable or the mains plug.
- + Keep the mains cable away from water, heat, oil and sharp edges. Do not route the mains cable underneath the equipment or under a carpet or rug, and do not place any objects on top of it.

## 1.4 Set-Up Place

### **WARNING**

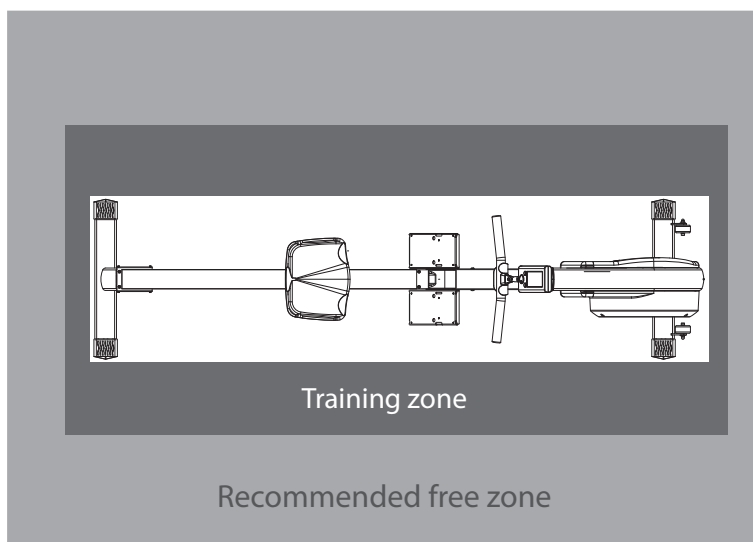
- + Do not place the equipment in main corridors or escape routes.

### **CAUTION**

- + Choose a location in which to place the equipment such that there is enough free space/clearance to the front, the rear and to the sides of the equipment. Make sure that you leave at least 30 cm on each side of the equipment and at least 15 cm in front of and behind the equipment as a training zone. This is the minimum required area in order to safely use the equipment. The recommended free zone around the equipment should be at least 60 cm on each side and 45 cm in front of and behind the equipment.
- + The training room should be well ventilated during training and not be exposed to any draughts.
- + Choose the place in which to set up the equipment such that there is enough free space/clearance to the front, the rear and to the sides of the equipment.
- + The set-up and mounting surface of the equipment should be flat, loadable and solid.

### **ATTENTION**

- + The device may only be used in one building, in sufficiently tempered and dry rooms (ambient temperatures between 10°C and 35°C). The equipment should not be used outdoors or in rooms with high humidity (over 70%) like swimming pools.
- + A floor protective mat/equipment underlay can help to protect high-quality floor coverings (parquet, laminate, cork, carpets) from dents and sweat and can help to level out slight unevenness.



### 2.1 General Instructions



#### **DANGER**

- + Do not leave any tools, packaging materials such as foils or small parts lying around, as otherwise there is a danger of suffocation for children. Keep children away from the equipment during assembly.



#### **WARNING**

- + Pay attention to the instructions attached to the equipment in order to reduce the risk of injuries.



#### **CAUTION**

- + Do not open the packaging when it is lying on its side.
- + Ensure to have sufficient room for movement in each direction during assembly.
- + The assembly of the equipment must be carried out by at least two adults. If in doubt, seek the help of another technically skilled person.



#### **ATTENTION**

- + To prevent damage to the equipment and the floor, assemble the equipment on a mat or packaging board.



#### **NOTICE**

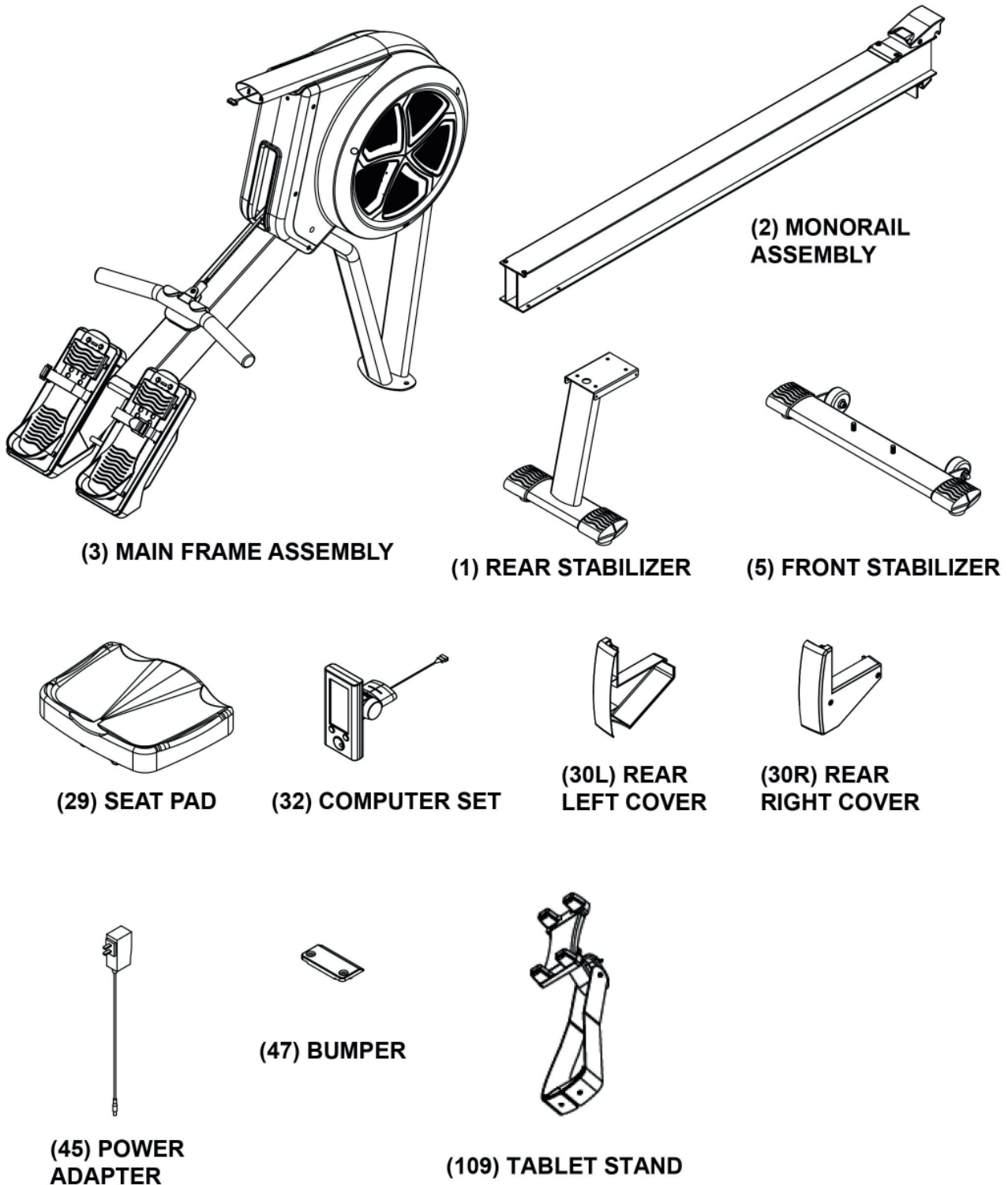
- + In order to make the assembly as simple as possible, some screws and nuts to be used can already be pre-assembled.
- + Ideally, assemble the equipment at its later set-up place.

## 2.2 Scope of Delivery

The scope of delivery consist of the following parts. At the beginning, check whether all parts and tools belonging to the device are included in the scope of delivery and whether damage has occurred. In the event of complaints, the contractual partner must be contacted directly.

**⚠ CAUTION**

If parts of the scope of delivery are missing or damaged, the assembly must not be carried out.



## 2.3 Assembly

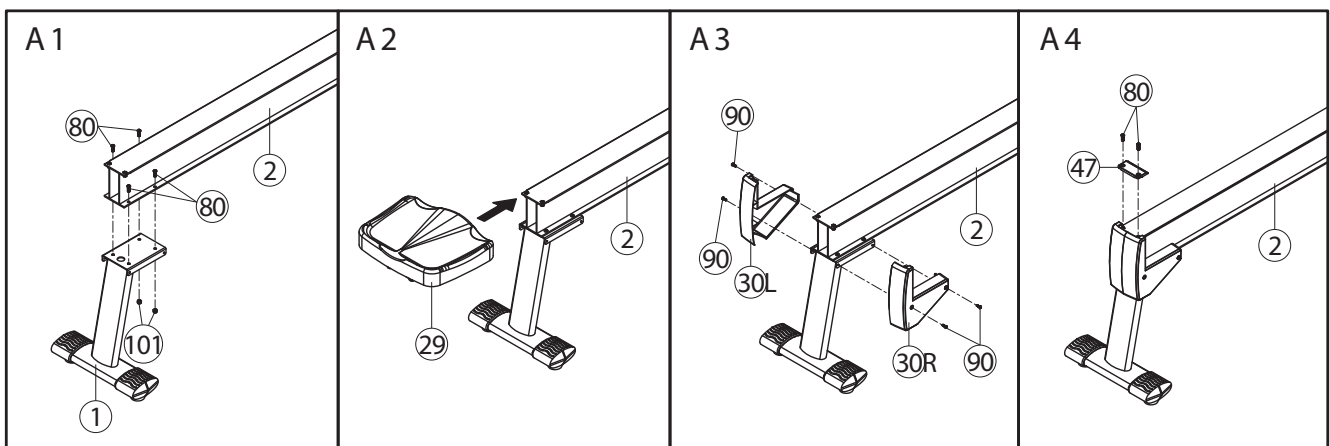
Before assembly, take a close look at the individual assembly steps shown and carry out the assembly in the order given.

### **i NOTICE**

First loosely screw all parts together and check that they fit properly. Then tighten the screws using the tool only when you are instructed to do so.

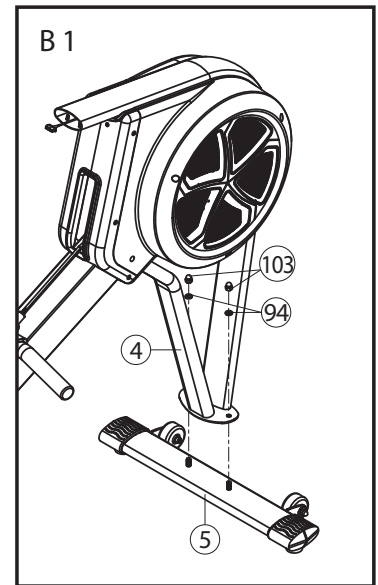
### Step 1: Assembly of Rear Base and Monorail

1. Mount the rear base (1) on the mono rail (2) with M6 X 16L hexagon screws (80) and two M6 Nylon nuts (101) (see fig. A1). Tighten the screws.
2. Slide the seat pad (29) on the mono rail (2) (see fig. A2).
3. Mount the left (30L) and right rear cover (30R) with four M4 X 12L screws (90) (see fig. A3).
4. Mount the bumper (47) on the mono rail (2) with two M6 X 16L hexagon screws (80). Please pay attention to that the left (30L) & right rear cover (30R) are correctly positioned (see fig. A4). Then tighten all screws.



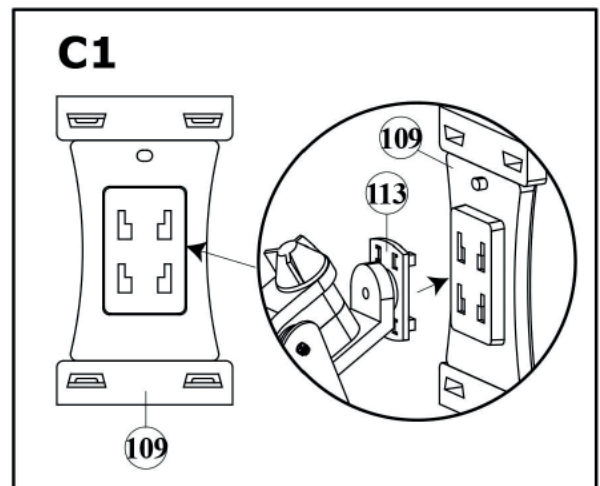
## Step 2: Assembly of Front Base

Mount the front base (5) on the front frame (4) with two 3/8" spring washers (94) and two 3/8" caps for nuts (103) (see fig. B1). Tighten all screws.

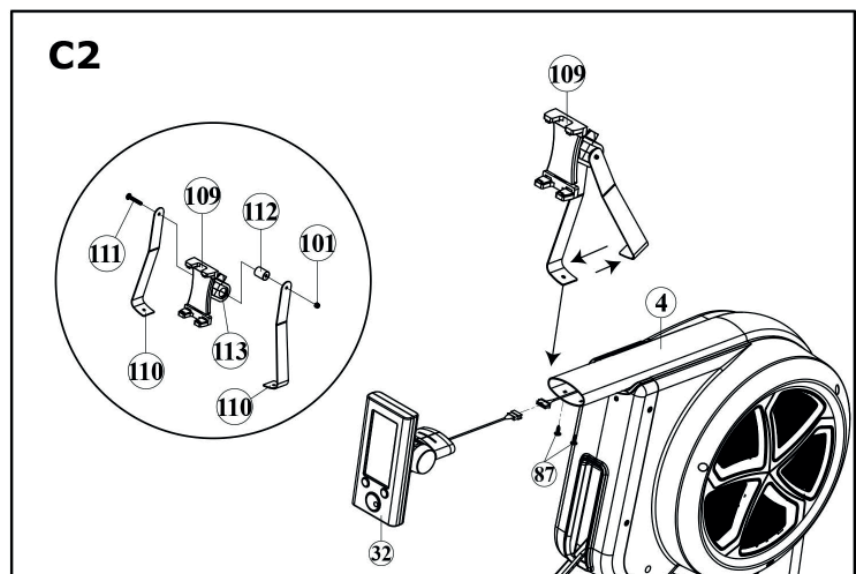


## Step 3: Assembly of Computer und Tablet Stand

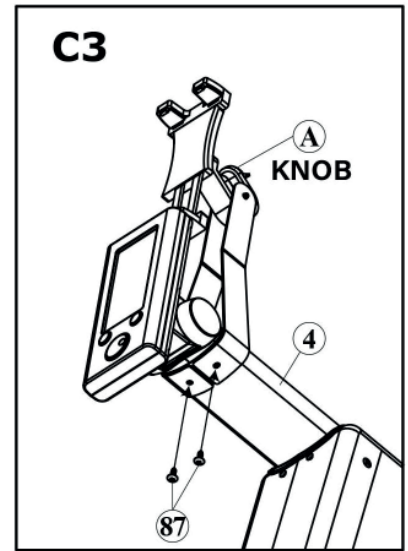
1. Attach the plastic bracket (113) to the tablet stand (109).



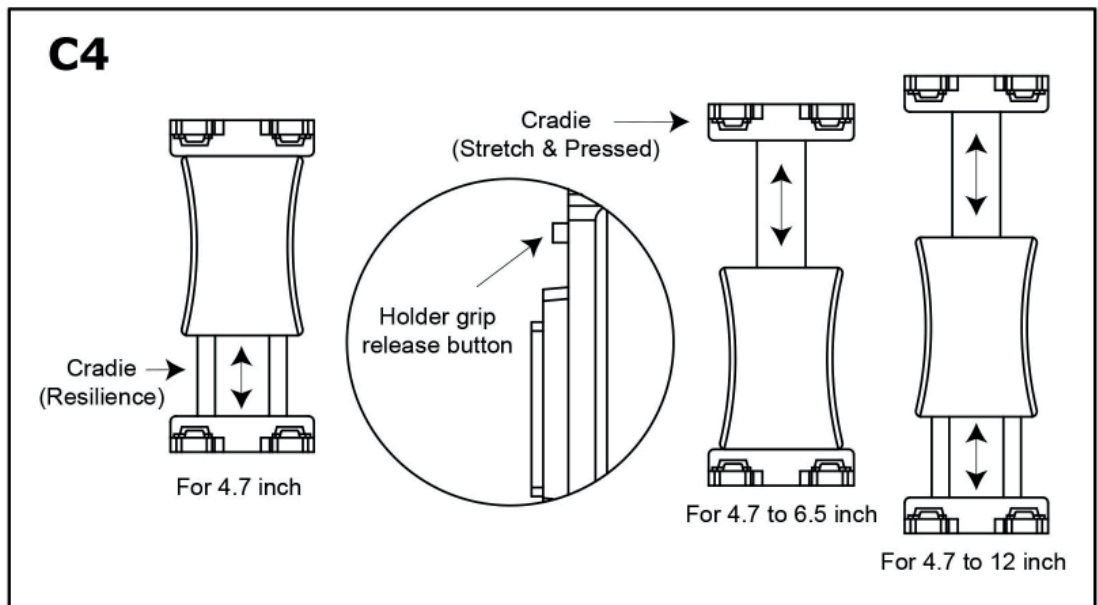
2. Unscrew the two pre-mounted screws (87) from the front frame (4).
3. Align both steel supports (110) parallel to each other.
4. Insert the computer (32) into the front frame (4).
5. Assemble the steel supports (110) to the front frame (4) by using the two screws (87).



6. Adjust the tablet stand (109) to a comfortable angle.
7. Tighten the knob (A).



8. Adjust your tablet stand (109) according to the size of your device.



#### Step 4: Connecting the Equipment to the Mains Supply

► **ATTENTION**

The equipment must not be connected to a multiple socket, otherwise it cannot be guaranteed that the equipment will be supplied with sufficient power. Technical errors can result.

Plug the power plug into a wall outlet that complies with the instructions in the chapter on electrical safety.

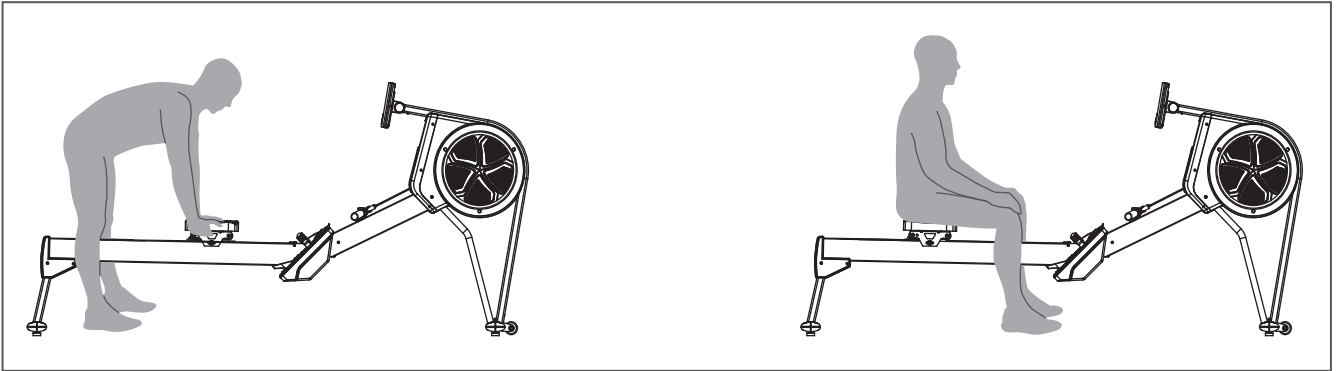




## 2.4 Settings/Adjusting the Rowing Machine

### Get on safely

1. Stand centrally to the aluminium rail and position the seat.
2. Adjust the seat in a comfortable position and sit down slowly.
3. Adjust the view to the computer by moving it up or down.



## Adjusting the Heel Rest and the Straps

There are several adjustments for the heel rest. Before you start exercising, adjust the heel rest correctly.

1. Pull the loop upwards so that your heel is supported and the foot strap is above the widest point of your foot.



2. Tighten the foot strap.
3. Loosen the foot strap by pushing the small buckle outwards.



## 3 OPERATING INSTRUCTIONS

### ① NOTICE

Familiarise yourself with all the functions and setting options of the device before starting training. Have the proper use of this product explained to you by a specialist.

### 3.1 Console Display



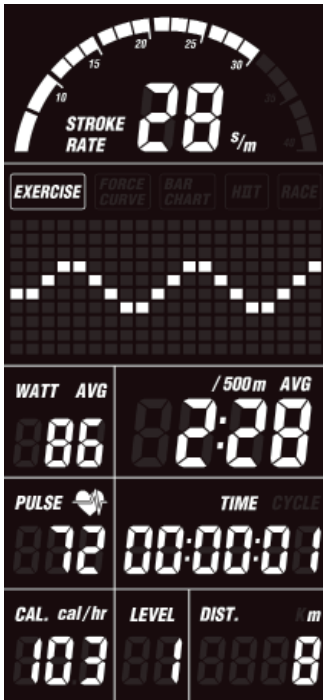
<b>Stroke Rate</b>	In the HIIT programme, it shows the ideal stroke rate for the High Intensity Interval Training. In all other programmes, only the stroke rate is displayed here.
<b>Exercise (2nd big window)</b>	Different graphic illustrations of the training, i. e., strength curve or bar chart - change the views by pressing the button MODE.  It also serves the selection of the training programmes (P1– P9) by means of the control knob.
<b>Time/500m (Ø)</b>	Displays which time you would currently need for 500 m. The lower the value, the higher is your training performance.
<b>WATT (Ø)</b>	Displays the estimated performance of your stroke in Watt.
<b>PULSE</b>	Displays the current heart rate, when a compatible chest strap is used.
<b>TIME</b>	Displays the present training duration in minutes : seconds.
<b>CALORIES (kcal/h)</b>	Displays the estimated consumption of kilocalories per hour.
<b>LEVEL</b>	Displays the currently set resistance level (1–16).
<b>DISTANCE (metres or miles)</b>	Displays the distance covered throughout the training.

### 3.2 Button Functions

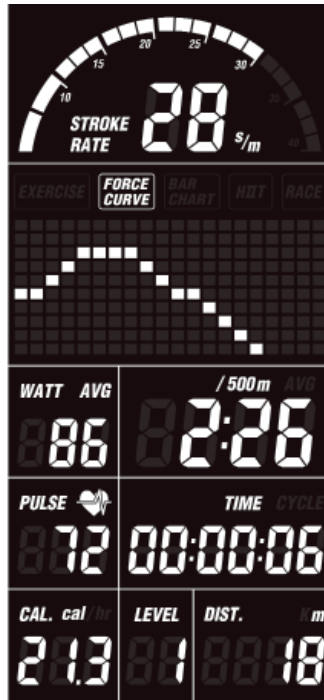
<b>Control Knob Enter</b>	Turn the knob to navigate through the different options or increase or reduce the intensity during the training. Press the control knob to confirm your selection.
<b>Mode button</b>	Press the button to switch the different display options during the training, in the data display, i. e., between the current and average values, in the exercise field, i. e., training -> strength curve -> bar chart, etc..
<b>Reset button</b>	Press Reset to get to the previous option or display. Hold the button pressed for three seconds to stop the training and to return to the start menu.

### 3.3 Operations

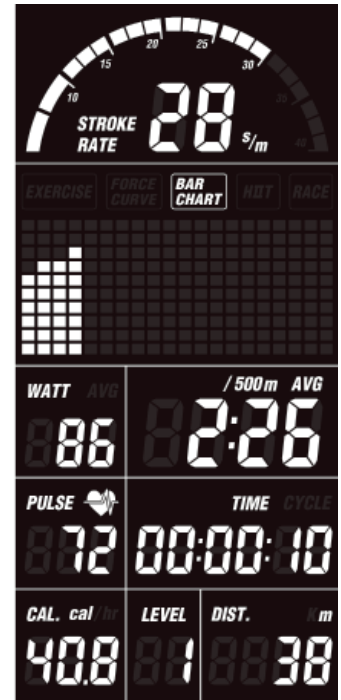
#### Display rotation



Training



Strength curve



Bar chart

The training display shows you one of four evaluations of your stroke:



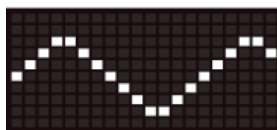
No stroke



Slow stroke rate



Moderate stroke rate



High stroke rate

## 3.4 Programmes

### 3.4.1 Quick Start

When you start rowing in the start menu, the Quick Start programme starts automatically. You can change the basic resistance with the control knob throughout the training at any time. Press the button Mode to change the display options. Press RESET to return to the programme selection at any time.

### 3.4.2 P1 - Manueller Modus (Manual Mode)

When you select P1 with the control knob and press it to confirm, you get to the manual programme. Set the resistance level before the training start and confirm with ENTER. Start rowing to start the programme. Hold RESET pressed for three seconds to stop the training and to return to the programme selection.

### 3.4.3 P2 - Zeitvorgabe (Goal Time)

Select P2 with ENTER. Set time and resistance level and confirm with ENTER. Start rowing to start the programme. Hold RESET pressed for three seconds to stop the training and to return to the programme selection.

### 3.4.4 P3 - Kalorienvorgabe (Goal Calorie)

Select P3 with ENTER. Set calorie target and resistance level and confirm with ENTER. Start rowing to start the programme. Hold RESET pressed for three seconds to stop the training and to return to the programme selection.

### 3.4.5 P4 - Distanzvorgabe (Goal Distance)

Select P4 with ENTER. Set target distance and resistance level and confirm with ENTER. Start rowing to start the programme. Hold RESET pressed for three seconds to stop the training and to return to the programme selection.

### 3.4.6 P5 - Rennen (Race)

Select P5 with ENTER. Set distance and resistance level and confirm with ENTER. Start rowing to start the programme. Hold RESET pressed for three seconds to stop the training and to return to the programme selection.



### 3.4.7 P6 - P9 - High Intensity Interval Training (HIIT)

Das HIIT programme is divided into four parts:

Warm-Up: Warm up your body and set the desired resistance level.

HIIT phase: In this phase, an intensity/stroke rate as high as possible is demanded. Please mind not to exceed your fitness level.

Resting phase: Smooth stroke rate to take a breath and to get prepared for the next pace phase.

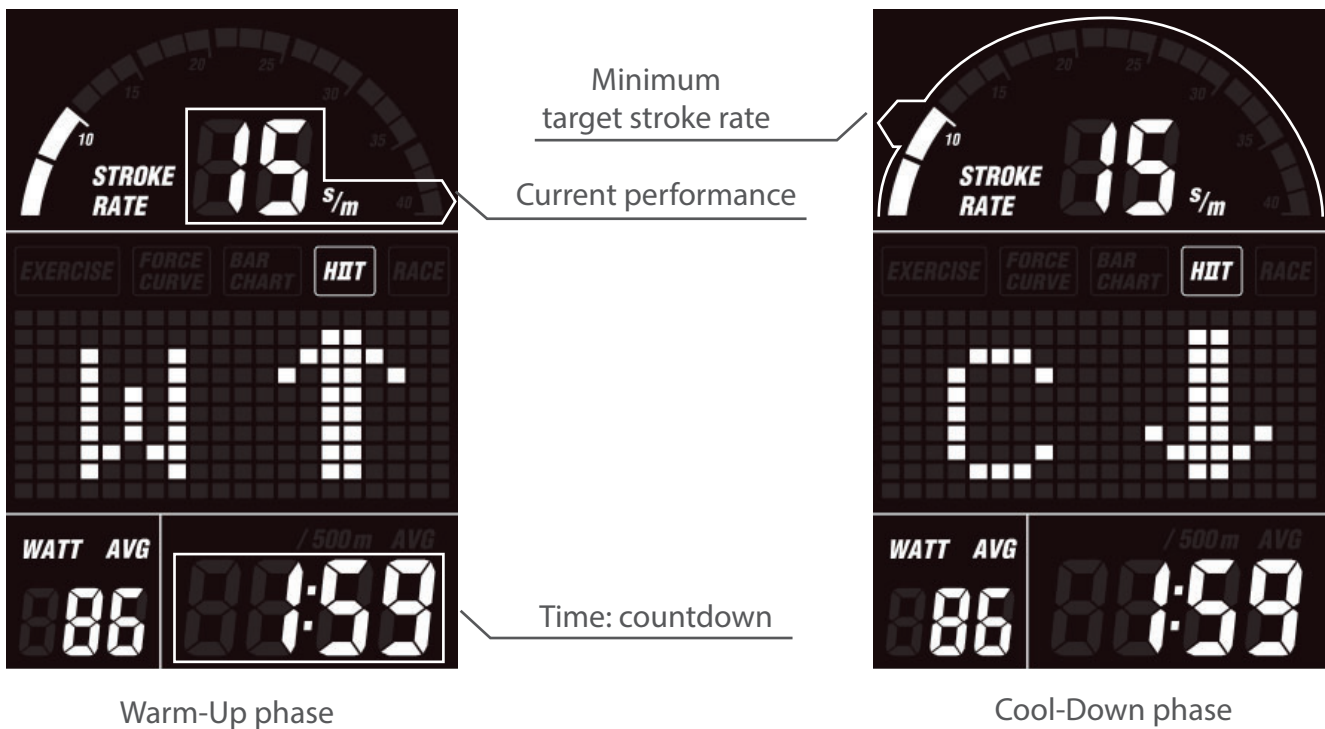
Cool-Down: The programme is finished and you can get recovered from the training.

**P6 (HIIT)** P6 is a 20 minutes programme for beginners.

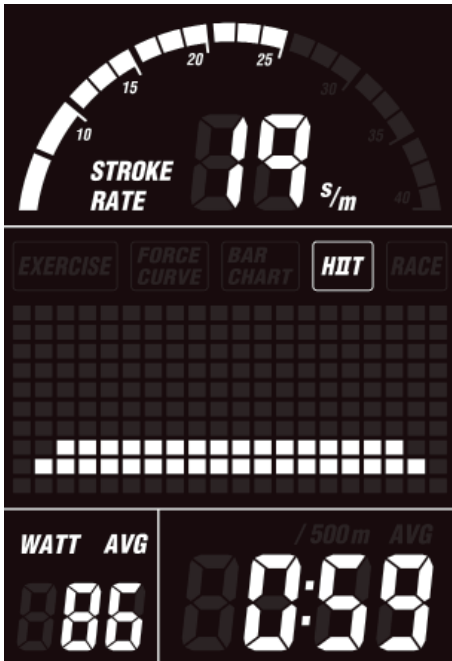
**P7 (HIIT)** P7 is a 20 minutes standard programme for advanced users.

**P8 (HIIT)** P8 is a 30 minutes standard programme.

**P9 (HIIT)** P9 is a 30 minutes programme with high stroke rates during the pace phase for advanced users.



During a one minute countdown, you row as quickly as you can in the HIIT programme, so that you achieve the top of the pyramid.



Minimum target stroke rate

Current performance

Error: Not in the target zone

Time: countdown

During the two-minutes recovery phase, you reduce the stroke rate to take a breath and to get prepared for the next pace unit.



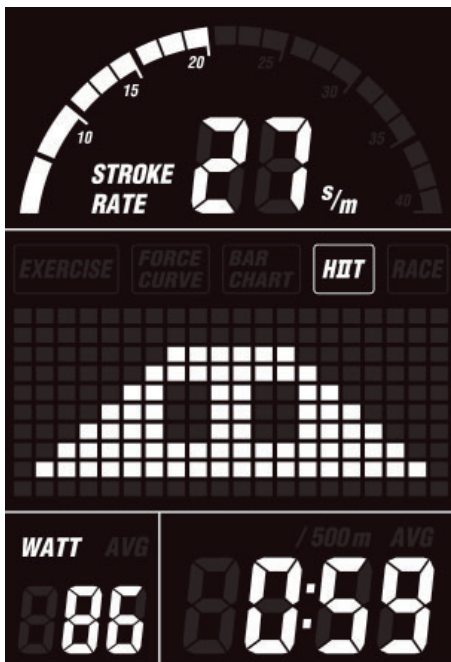
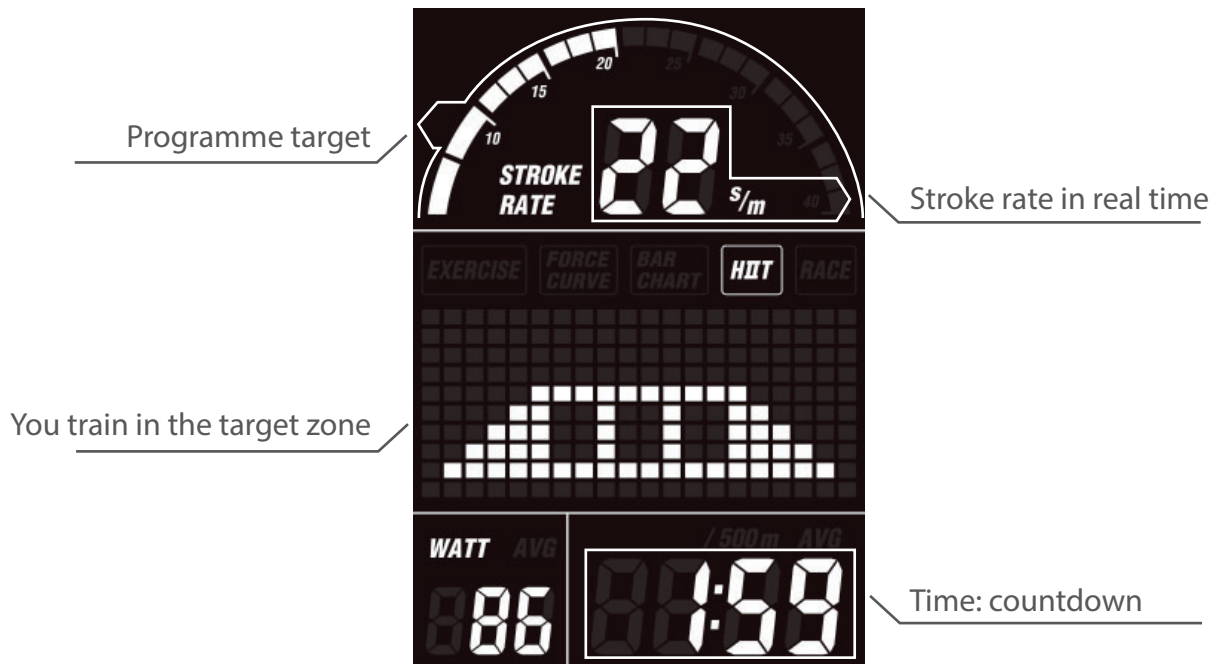
Minimum target: reduced during the resting phase

During the resting phase: countdown of two minutes

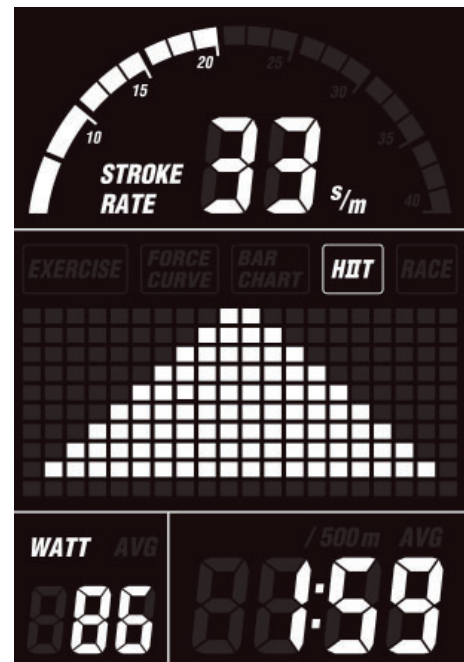
Time: countdown



## Build a pyramid



Excellent, you train at a performance above average.



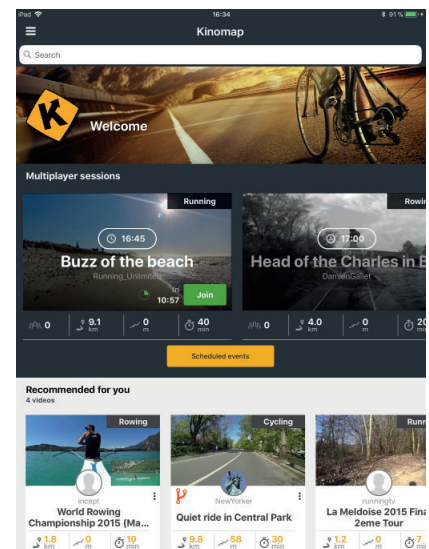
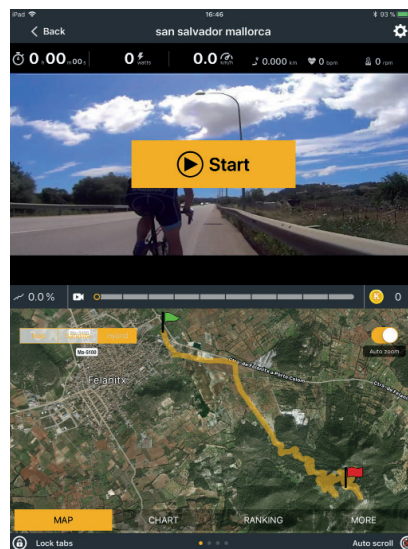
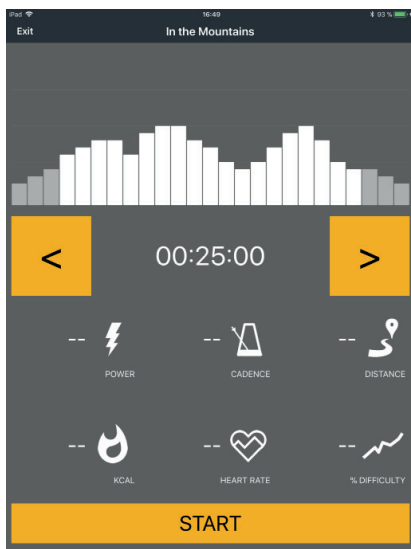
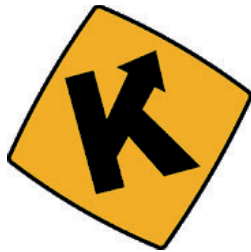
You have done the pyramid and train at a professional level.

### 3.5 Bluetooth and Fitness Apps

This console is equipped with a bluetooth interface. Please take note that your mobile device needs to be compatible with the bluetooth interface of the fitness equipment (bluetooth 4.0).

To use training apps you will have to activate the bluetooth function on your mobile device (tablet or smart phone) and start the fitness app. Select your fitness equipment. Please follow the instructions given in the app. You will find the name of your fitness equipment on a small sticker on the back of the console.

You will find the fitness apps in the app stores of Google or Apple. Please note that these apps are produced by an external manufacturer. Sport-Tiedje does not take any responsibility regarding the availability, functionality or contents of these programmes.

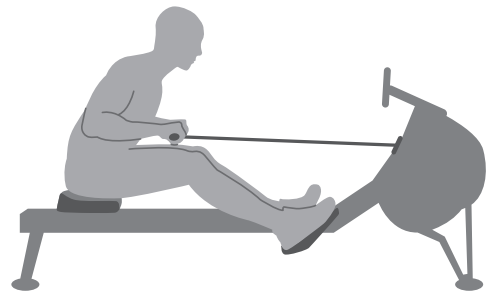


## 3.6 Notes on Correct Rowing

### Body moves towards the handle

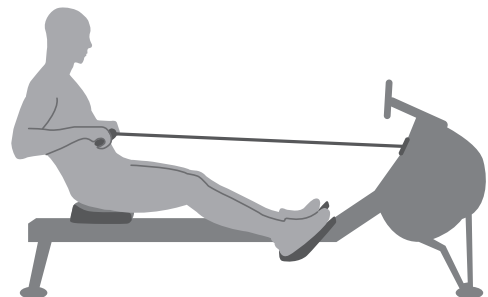
#### Wrong

At the end of the movement, the body will be pulled forwards towards the handles instead the handles to the body.



#### Right

At the end of the movement, the user slightly leans back, holds the legs down, keeps the upper body straight and pulls the handle to the body.



### Straddled elbows

#### Wrong

The user's elbows are straddled from the body at the end of the movement and the handle is at the height of the breast.



#### Right

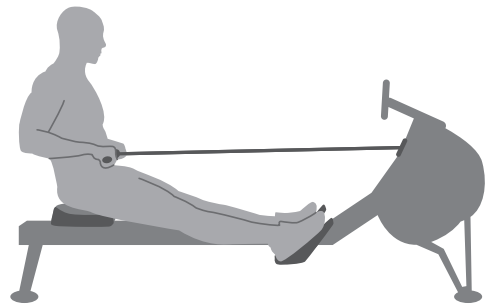
Pull the handle to the body with straight wrists and the elbows close to the body. The elbows are brought behind the head while the handle is pulled to your waist.



## Do not completely extend

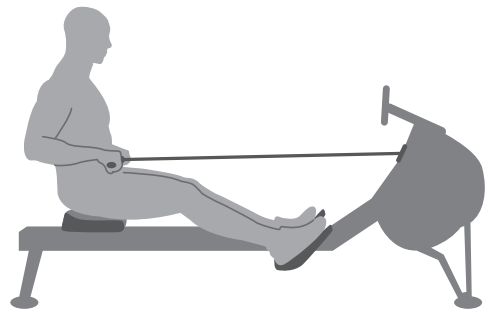
### Wrong

At the end of the movement, the user completely stretches the leg and knee.



### Right

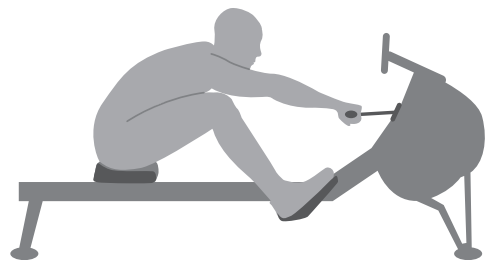
Keep your knee slightly bent at all times even at the end of the movement instead of stretching it completely.



## Leaning too far forward

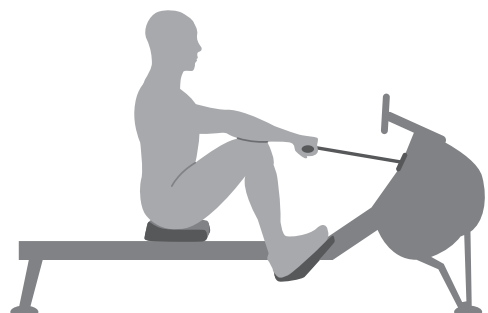
### Wrong

The body is bent too far forward. The shins are no longer vertical. The head and shoulders are facing the feet. The body is therefore in a weak position to execute the movement.



### Right

The shins are vertical. The body is pressed against the legs, the arms are completely stretched out in front and the body is slight bent forward. This position should be pleasant.



## Rowing with bent arms

### Wrong

The user begins the movement with the arms instead of first pressing with the legs.



### Right

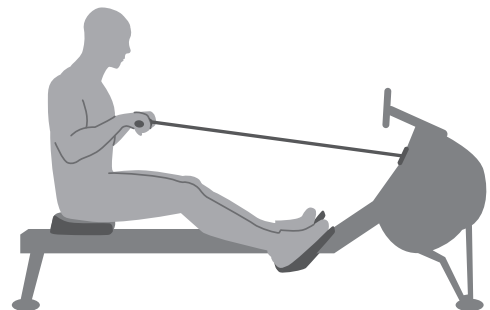
The user begins by stretching out the legs, relaxing the back and stretching the arms.



## Bent wrists

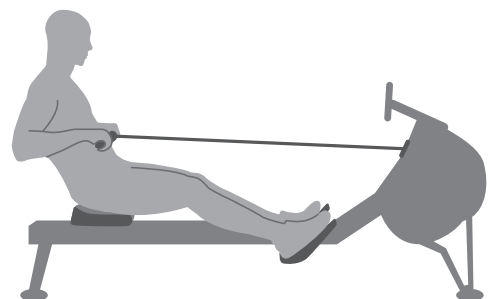
### Wrong

The user bends the wrists during the movement.



### Right

Always execute the rowing movement with straight wrists.



### 4.1 General Instructions

► **ATTENTION**

- + Make sure that the equipment is protected from moisture, dust and dirt in the selected storage location. The storage location should be dry and well ventilated and have a constant ambient temperature between 5°C and 45°C.

⚠ **WARNING**

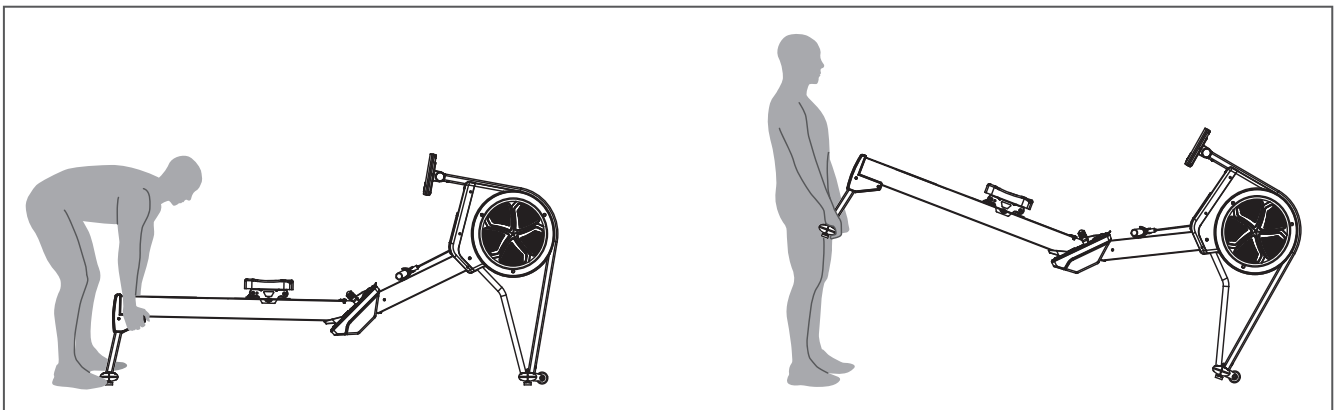
- + The storage location should be chosen so that improper use by third parties or children can be prevented.

### 4.2 Transportation Wheels

► **ATTENTION**

If you want to transport your equipment over particularly sensitive and soft floor coverings, such as parquet, planks or laminate, lay out the transport route with cardboard or similar to avoid possible floor damage.

1. Stand behind the equipment and lift it until the weight is transferred to the transportation wheels. After that, you easily can move the equipment to a new position. For long transport distances the equipment should be disassembled and safely packed.
2. Select the new location by following the instructions in the section 1.4 of this manual.



## 4.2.1 Folding Up the Rowing Machine

### **WARNING**

- + Do not connect the equipment to the power supply when it is folded up. Try not to operate the equipment when it is folded up.
- + Keep your hands, feet and other body parts clear of the folding area.
- + Do not lift heavy objects if medical issues exist.

### **CAUTION**

- + Do not lean on the equipment when it is folded and do not place anything on top of it that may make the equipment unstable or fall down.

1. Turn off the on/off switch and remove the plug from the outlet.
2. Lift the main frame assembly by holding the foot strap and slowly attach it with the monorail.

### **NOTICE**

Make sure that the tubes (circled areas in the picture below) are locked in before releasing the plastic clasp.

3. Release the plastic clasp.

## 4.2.2 Unfolding the Rowing Machine

1. Push the plastic clasp to unlock the rail and hold the foot strap.
2. Slowly pull up the monorail to detach the rowing machine.



## 4.3 Disconnect and Connect the Monorail

### **WARNING**

Disconnect or connect the monorail to at least two people. Do not attempt to lift the main frame if you have limitations in the musculoskeletal system. To prevent injury, keep fingers and hands away from the folding mechanism.

### **NOTICE**

The rowing machine can be disassembled to save space during storage. This also facilitates transport.

### 4.3.1 Disconnect the Monorail from the Rowing Machine

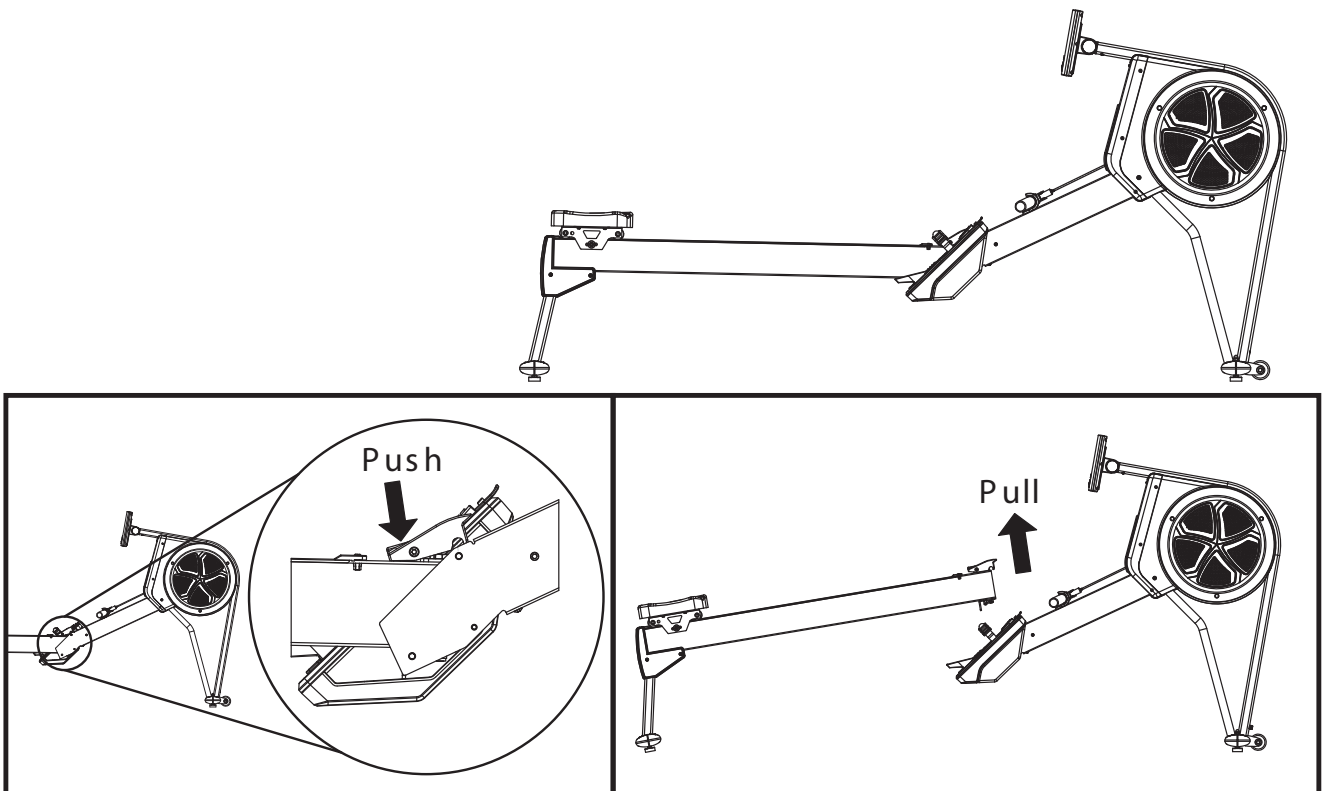
#### **WARNING**

+ Do not connect the device to the power supply when it is disassembled. Do not attempt to operate the unit when it is disassembled.

#### **CAUTION**

+ Do not lean on or lay anything on the product, as this may cause the product to become unstable and fall over.

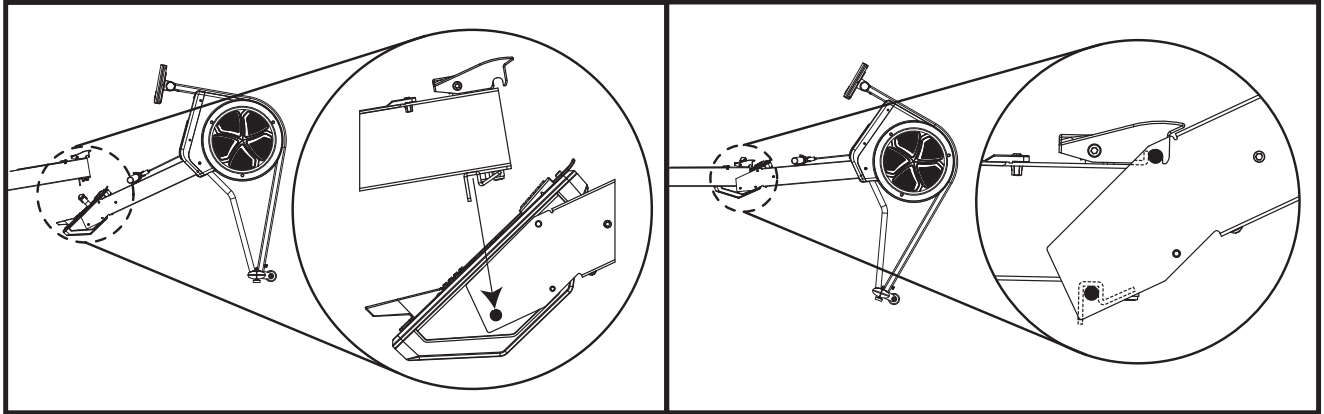
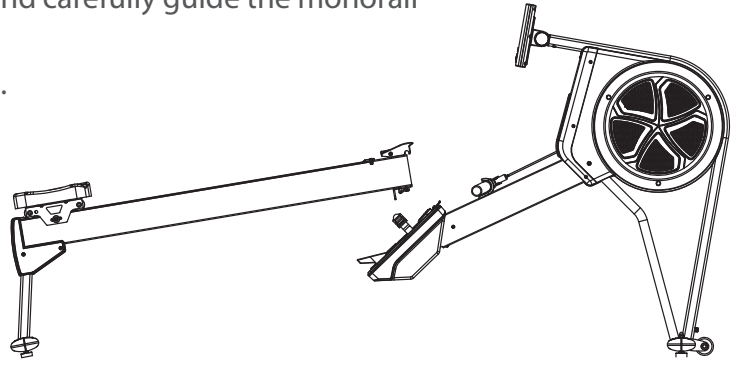
1. Switch off the device and unplug the plug from the socket.
2. Hold the main frame by a foot strap, then push the large toggle switch down to release the lock.
3. Carefully lift the monorail and detach it from the main frame. Do not perform this action alone.





### 4.3.2 Connect the Monorail to the Rowing Machine

1. Lift the main frame by the foot straps and carefully guide the monorail onto the connector.
2. Snap the connections firmly into place.



## 5.1 General Instructions



### WARNING

- + Do not make any improper changes to the equipment.



### CAUTION

- + Damaged or worn components may affect your safety and the life of the equipment. Therefore, immediately replace damaged or worn components. In such a case, contact the contract partner. The equipment must not be used until it has been repaired. If necessary, use only original spare parts.

### ► ATTENTION

- + In addition to the instructions and recommendations for maintenance and care given here, additional service and/or repair work may be necessary; this must only be carried out by authorised service technicians.

## 5.2 Faults and Fault Diagnosis

The equipment undergoes regular quality controls during production. Nevertheless, faults or malfunctions may occur. Frequently, individual parts are responsible for these disturbances, an exchange is usually sufficient. Please refer to the following overview for the most common errors and how to correct them. If the equipment still does not function properly, contact your contract partner.

Fault	Cause	Solution
Heart rate is not received	<ul style="list-style-type: none"> <li>+ Sources of interference in the room</li> <li>+ unsuitable chest strap</li> <li>+ Wrong position of chest strap</li> <li>+ Batteries empty</li> </ul>	<ul style="list-style-type: none"> <li>+ Eliminate sources of interference (e.g. mobile phones, loudspeakers, WLAN, lawn mower and vacuum cleaner robots...)</li> <li>+ Use a suitable chest strap (see recommended accessories).</li> <li>+ Reposition chest strap and/or moisten electrodes</li> <li>+ Changing batteries</li> </ul>
LCD error – software error etc.	Console has no power supply	<ul style="list-style-type: none"> <li>+ Hold Reset to start the console again.</li> <li>+ Start the console again by disconnecting the power cable for about 15 seconds.</li> <li>+ Disconnect and connect again all cable connections, see assembly instructions.</li> <li>+ Contact a service technician of your contract partner.</li> </ul>

## 5.3 Maintenance and Inspection Calendar

To avoid damage from body sweat, the equipment must be cleaned with a damp towel (no solvents!) after each training session.

The following routine tasks must be performed at the specified intervals:

Part	Weekly	Monthly	Quarterly	Half-yearly	Yearly
Display console	C	I			
Lubrication of the moving parts				I	
Plastic covers	C	I			
Screws and cable connections		I			
Legend: C = clean; I = inspect					

### Lubrication of the chain

Lubricate the chain at least every six months or even better after approx. 50 operating hours. Use a non-fraying cloth as well as 20W motor or multi-purpose oil. Drop approx. one teaspoon of the oil on the cloth. Then pull out carefully the chain on the handle to the fence. Wipe along the chain with the cloth several times. Then remove the remaining oil with a dry cloth.

### Cleaning the rail

Before the training, wipe the rail with a dampened cloth to remove any dust.

## 6 DISPOSAL

At the end of its operational life, this equipment cannot be disposed of in normal household waste. Instead, it must be disposed of via an electricals recycling centre. Further information can be obtained from your local authority's recycling service.



The materials can be recycled as per their symbols. Through the reuse, recycling of materials or other forms of recovery of old equipment, you make an important contribution to the protection of the environment.

## 7 RECOMMENDED ACCESSORIES

To make your training experience even more efficient and pleasant, we recommend that you add suiting accessories to your fitness equipment. This could be a floor mat, for example, which makes your fitness equipment stand more securely and also protects the floor from falling sweat, but it could also be additional handrails on some treadmills or silicone spray to keep moving parts in good shape.

If you have purchased a fitness machine with pulse training and want to train your heart rate, we strongly recommend that you use a compatible chest strap, as this ensures optimum transmission of the heart rate. You may want to buy additional grips or weights for multi gyms.

Our range of accessories offers the highest quality and makes training even better. If you would like to find out more about compatible accessories, please go to the detail page of the product in our webshop (the easiest way is to enter the article number in the search field above) and go to the recommended accessories on this page. Alternatively, you can use the QR code provided. Of course, you can also contact our customer service: by telephone, e-mail, in one of our branches or via our social media channels. We will be happy to advise you!



floor mat



chest strap



chest strap contact gel



towels



silicone spray

## 8.1 Serial Number and Model Name

In order to provide you with the best possible service, please have the model name, article number, serial number, exploded drawing and parts list ready. The corresponding contact options can be found in chapter 10 of this operating manual.

**NOTICE**

The serial number of your equipment is unique. It's located on a white sticker. The exact position of this sticker is shown in the following illustration.



Enter the serial number in the appropriate field.

**Serial number:**

**Brand / Category:**

**Model Name:**

**Article Number:**

## 8.2 Parts List

No.	Name	Qty.
1	REAR STABILIZER	1
2	MONORAIL	1
3	MAIN FRAME	1
4	FRONT FRAME	1
5	FRONT STABILIZER	1
6L	LEFT BELLY FOOT STRETCHER	1
6R	RIGHT BELLY FOOT STRETCHER	1
7	MONORAIL COVER	1
8	HANDLE	1
9	HANDLE HOOK	1
10	TRAVELING PULLEY BRACKET	1
11	CABLE RETAINER PLATE	2
12	BELT SHAFT	1
13	AXLE	1
14	L PLATE	1
15	LOWER HANGER PLATE	1
16	UPPER HANGER PLATE	1
17	MONORAIL BOLT SUPPORT	1
18L	LEFT SEAT CARRIAGE	1
18R	RIGHT SEAT CARRIAGE	1
19	FLYWHEEL FAN	1
20	FLYWHEEL	1
21	DAMPER	1
22	PEDAL	2
23	HEEL REST	2
24	FOOT STRAP WITH BUCKLE	2
25L	LEFT FOOT STRETCHER COVER	1
25R	RIGHT FOOT STRETCHER COVER	1
26	PLASTIC COVER	1
27L	LEFT PLASTIC COVER	1

27R	RIGHT PLASTIC COVER	1
28	BINDING OF PLASTIC COVER	2
29	SEAT PAD	1
30L	REAR LEFT COVER	1
30R	REAR RIGHT COVER	1
31	MOTOR	1
32	COMPUTER (MONITOR)	1
33	COMPUTER BRACKET	1
34	SENSOR BRACKET	1
35	COMPUTER HINGE	2
36	COMPUTER HINGE CAP	2
37	ROBBER ROPE COVER	1
38	CHAIN	1
39	ROBBER ROPE	1
40	8 PINS UPPER CONNECTOR CABLE	1
41	POWER CORD CONNECTOR	1
42	CONNECTING CABLE	1
43	SENSOR CABLE	1
44	8 PINS UPPER CABLE	1
45	POWER ADAPTER	1
46	UPPER PLASTIC HANGER	1
47	BUMPER	2
48L	LEFT FOOT END CAP	2
48R	RIGHT FOOT END CAP	2
49	HEIGHT ADJUSTER	4
50	PULLEY	4
51	IDLER PULLEY	2
52	FRONT STABILIZER WHEEL	2
53	SEAT ROLLER	2
54	HOUSING	2
55	φ8mm SPACER	2
56	φ10mm X 8.5L SPACER	4
57	φ10mm X 10L SPACER	4

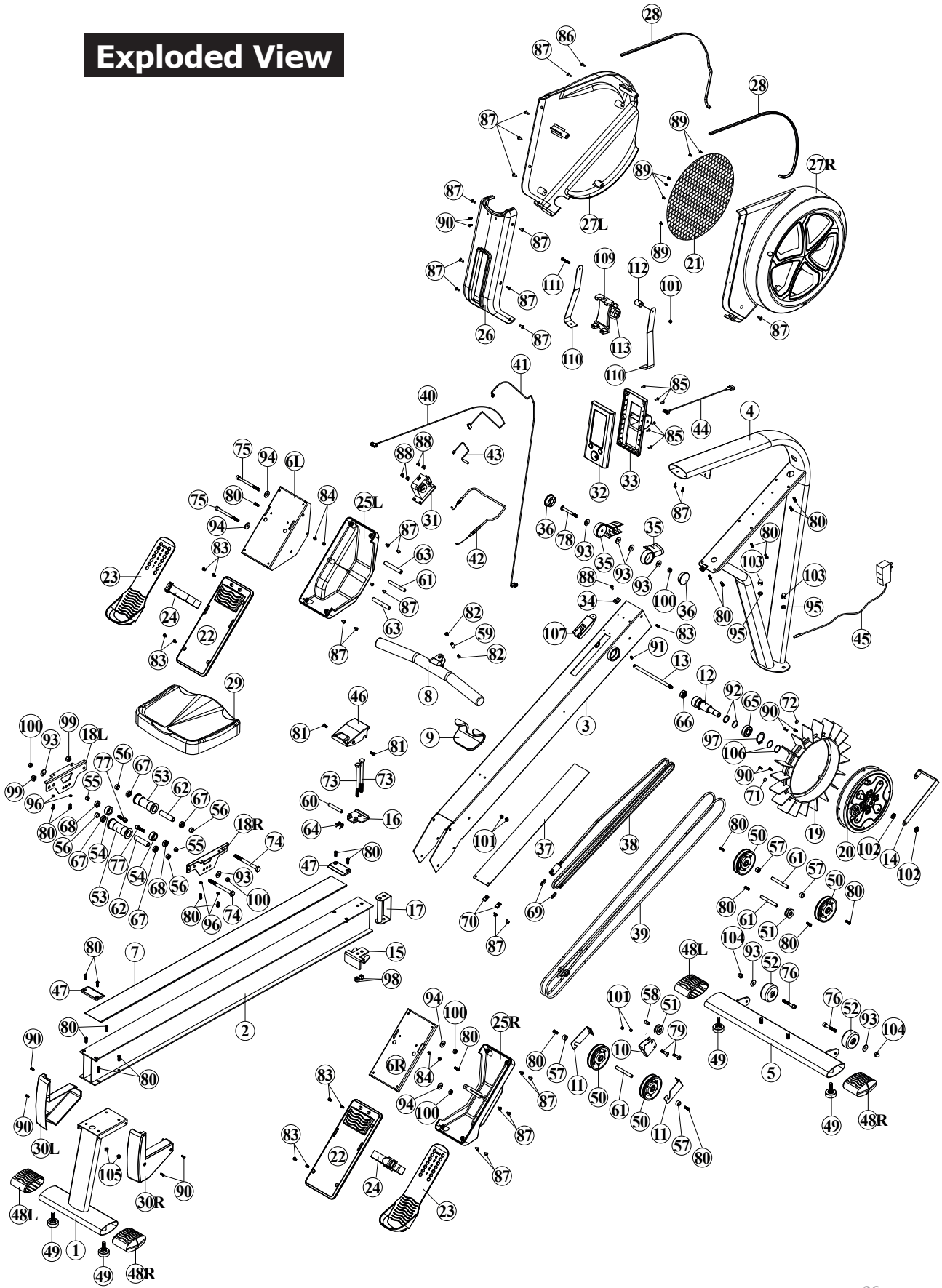
58	TUBE FOR IDLER PULLEY	1
59	AXLE FOR HANDLE	1
60	AXLE FOR PLASTIC HANGER	1
61	AXLE FOR PULLEY	4
62	AXLE FOR SEAT PAD	2
63	TUBE FOR FOOT STRETCHER COVER	2
64	SPRING	1
65	OB6203LB BEARING	1
66	OB6000Z BEARING	1
67	OB6900 BEARING	4
68	OB608 BEARING	2
69	CHAIN CONNECTOR	2
70	BALANCE CLIP	2
71	MAGNET BLANCER	1
72	MAGNET	1
73	3/8" X 5" HEX BOLT	2
74	M10 X 110 HEX BOLT	2
75	M8 X 100L BOLT	2
76	M8 X 50L BOLT	2
77	M8 X 30L ROUND INNER ALLEN BOLT	2
78	M8 X 70L HEX SOCKEN DOME BOLT	1
79	M6 X 25L HEX SOCKEN DOME BOLT	2
80	M6 X 16L HEX SOCKEN DOME BOLT	26
81	M6 X 15L SCREW	2
82	M6 X 10L SCREW	2
83	M5 X 10L SCREW	9
84	M5 X 8L SCREW	4
85	M4 X 12L SCREW	6
86	3/16 X 19L SCREW	1
87	3/16" X 16L SCREW	27
88	3/16" X 12L SCREW	5
89	M4 X 8L SCREW	6
90	M4 X 12L SCREW	10



91	M6 X 10L SET SCREW	1
92	RING	2
93	M8 LARGER WASHER	8
94	M8 SMALLER WASHER	4
95	3/8" SPRING WASHER	2
96	M6 SPRING WASHER	4
97	C-RING	1
98	3/8" NYLON NUT	2
99	M10 NYLON NUT	2
100	M8 NYLON NUT	5
101	M6 NYLON NUT (6m/m H)	4
102	3/8" NUT	2
103	3/8" CAP FOR NUT	2
104	M8 CAP FOR NUT	2
105	M6 NYLON NUT (8m/m H)	2
106	22mm OD. BUMPER	2
107	NON-SLIP COVER FOR CHAIN	1
109	TABLET STAND	1
110	STEEL SUPPORT	2
111	M6 X 40L SCREW	1
112	PLASTIC TUBE	1
113	PLASTIC BRACKET	1

# 8.3 Exploded Drawing

## Exploded View



Training equipment from Taurus® is subject to strict quality control. However, if a fitness equipment purchased from us does not work perfectly, we take it very seriously and ask you to contact our customer service as indicated. We are happy to help you by phone via our service hotline.

### **Error Descriptions**

Your fitness equipment is developed for long-term, high-quality training. However, should a problem arise, please first read the operating instructions. For further assistance, please contact your contract partner or call our service hotline. To ensure your problem is solved as quickly as possible, please describe the defect as exactly as possible.

In addition to the statutory warranty, we provide a warranty for every fitness equipment purchased from us according to the following provisions.

### **Your statutory rights are not affected.**

### **Warrantee**

The warrantee is the first/original buyer and/or any person who received a newly purchased product as a gift from the original buyer.

### **Warranty period**

The warranty periods, shown on our web shop, begin on delivery of the fitness equipment. The respective warranty periods for your equipment can be found on its product website.

### **Repair Costs**

According to our choice, there will either be a repair, a replacement of individual damaged parts or a complete replacement. Spare parts, that have to be mounted while assembling the equipment, have to be replaced by the warrantee personally and are not a part of repair. After the expiration of the warranty period, the responsibility for parts costs, repair costs, installation costs and delivery costs lies with the warranty holder.

### **The terms of use are defined as follows:**

- + Home use: solely for private use in private households up to 3 hours per day
- + Semi-professional use: up to 6 hours per day (e. g. rehabilitation centres, hotels, clubs, company gyms)
- + Professional use: more than 6 hours per day (e. g. commercial gyms)

### **Warranty Service**

Within the warranty period, equipment which develops faults as a result of material or manufacturing defects, will be repaired or replaced at our discretion. Ownership of equipment or parts of equipment which have been replaced is transferred to us. The warranty period is not extended nor does a new warranty period begin following repair or replacement under the warranty.

## **Warranty Conditions**

For the warranty to be valid, the following steps must be taken:

Please contact our customer service by email or phone. If the product under warranty has to be sent in for repair, the seller bears costs. After expiry of the warranty, the buyer bears the costs of transport and insurance. If the fault is covered by our warranty, you will receive a new or repaired equipment in return.

### **Warranty claims are invalid in case of damage resulting from:**

- + misuse or improper handling
- + environmental influences (moisture, heat, electrical surge, dust, etc.)
- + failure to follow the current safety measures for the equipment
- + failure to follow the operating instructions
- + use of force (e. g. hitting, kicking, falling)
- + interventions which were not carried out by one of our authorized service centres
- + unauthorised repair attempts

### **Proof of Purchase and Serial Number**

Please make sure that you are able to provide the appropriate receipt when claiming on your warranty. So that we can clearly identify the model of your equipment, and for the purposes of our quality control, you will need to give the serial number of your equipment, when contacting the service team. Where possible please have your serial number and your customer number ready when you call our service hotline. It will help us to deal with your request swiftly.

If you cannot find the serial number on your fitness equipment, our service team is at your disposal to offer further information.

### **Service outside of the Warranty Period**

We are also happy to issue an individual cost estimate if there is a problem with your fitness equipment after the warranty has expired, or in cases which do not fall under the terms of the warranty, e. g. normal wear and tear. Please contact our customer service team to find a quick and cost-effective solution to your problem. In such a case you will be responsible for the delivery costs.

### **Communication**

Many problems can be solved just by speaking to us as your specialist supplier. We know how important it is to you as a user of the fitness equipment to have problems solved quickly and simply, so you can enjoy working out with minimal interruption. For that reason, we also want to resolve your queries quickly and in a straightforward manner. Thus, please always keep your customer number and the serial number of the faulty equipment handy.

DE		DK		FR			
<b>TECHNICAL SUPPORT</b> +49 4621 4210-900 +49 4621 4210-698 technik@sport-tiedje.de Mo - Fr 08:00 - 18:00 Sa 09:00 - 18:00		<b>TECHNICAL SUPPORT &amp; SERVICE</b> 80 90 16 50 +49 4621 4210-945 info@fitshop.dk Mo - Fr 08:00 - 18:00 Sa 09:00 - 18:00		<b>TECHNICAL SUPPORT &amp; SERVICE</b> +33 (0) 172 770033 +49 4621 4210-933 service-france@fitshop.fr Mo - Fr 08:00 - 18:00 Sa 09:00 - 18:00			
<b>SERVICE</b> 0800 20 20277 (Freecall) info@sport-tiedje.de Mo - Fr 08:00 - 21:00 Sa 09:00 - 21:00 So 10:00 - 18:00		<th colspan="2">PL</th> <th colspan="2">BE</th>		PL		BE	
		<b>TECHNICAL SUPPORT &amp; SERVICE</b> 22 307 43 21 +49 4621 42 10-948 info@fitshop.pl Mo - Fr 08:00 - 18:00 Sa 09:00 - 18:00		<b>TECHNICAL SUPPORT &amp; SERVICE</b> 02 732 46 77 +49 4621 42 10-932 info@fitshop.be Mo - Fr 08:00 - 18:00 Sa 09:00 - 18:00			

UK		NL		INT			
<b>TECHNICAL SUPPORT</b> +44 141 876 3986 support@powerhousefitness.co.uk		<b>TECHNICAL SUPPORT &amp; SERVICE</b> +31 172 619961 info@fitshop.nl Ma - Do 09:00 - 17:00 Vr 09:00 - 21:00 Za 10:00 - 17:00		<b>TECHNICAL SUPPORT &amp; SERVICE</b> +49 4621 4210-944 service-int@sport-tiedje.de Mo - Fr 8am - 6pm Sat 9am - 6pm			
<b>SERVICE</b> +44 141 876 3972 Mo - Fr 9am - 5pm		<th colspan="2">AT</th> <th colspan="2">CH</th>		AT		CH	
		<b>TECHNICAL SUPPORT &amp; SERVICE</b> 0800 20 20277 (Freecall) +49 4621 42 10-0 info@sport-tiedje.at Mo - Fr 08:00 - 18:00 Sa 09:00 - 18:00		<b>TECHNICAL SUPPORT &amp; SERVICE</b> 0800 202 027 +49 4621 42 10-0 info@sport-tiedje.ch Mo - Fr 08:00 - 18:00 Sa 09:00 - 18:00			

Please find a detailed overview including address and opening hours for all stores of the Sport-Tiedje Group in Germany and abroad on the following website:

[www.sport-tiedje.com/en/stores](http://www.sport-tiedje.com/en/stores)

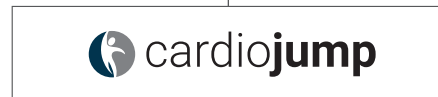
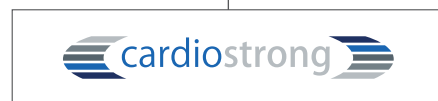
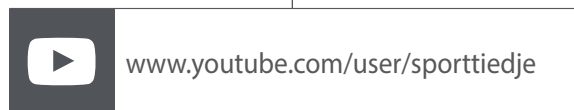
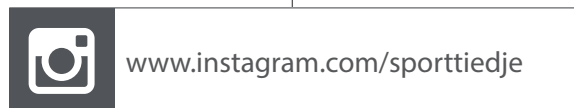
# WE LIVE FITNESS

## WEBSHOP AND SOCIAL MEDIA

Sport-Tiedje is Europe's largest specialist store for home fitness equipment with currently 80 stores and one of the world's most renowned online mail order companies for fitness equipment. Private customers order via the 25 web shops in the respective national language or have their desired equipment assembled on site. In addition, the company supplies fitness studios, hotels, sports clubs, companies and physio practices with professional equipment for endurance and strength training.

Sport-Tiedje offers a wide range of fitness equipment from renowned manufacturers, high-quality in-house developments and comprehensive services, such as a build-up service and sports scientific advice before and after the purchase. The company employs numerous sports scientists, fitness trainers and competitive athletes.

Visit us also on our social media platforms or our blog!





# **TAURUS<sup>®</sup>**

**Rowing Machine ROW-X PLUS**