

MATRIX

ICR50





3	ENGLISH
14	FRANÇAIS
25	ESPAÑOL

## **WARNING**

### **TO REDUCE THE RISK OF BURNS, FIRE, ELECTRICAL SHOCK OR INJURY TO PERSONS:**

- Use this indoor cycle for its intended purpose as described in this manual. Do not use attachments that have not been recommended by the manufacturer.
- Never operate the indoor cycle if it is not working properly, or if it has been damaged. Contact Customer Tech Support or the authorized dealers for examination and repair.
- Do not use the indoor cycle without proper footwear. NEVER operate the indoor cycle with bare feet.
- Do not wear any clothing that might catch on any moving parts of this indoor cycle.
- Keep hands and feet clear at all times from moving parts to avoid injury. Never turn the pedal cranks by hand.
- Do not dismount the indoor cycle until the pedals are at a complete STOP.
- Do not insert any object, hands or feet into any openings, or expose hands, arms or feet to the drive mechanism or other potentially moving part of the indoor cycle.
- Do not use any equipment that is damaged or has worn or broken parts. Use only replacement parts supplied by Customer Tech Support or the authorized dealers.
- Do not operate where aerosol (spray) products are being used or when oxygen is being administered.
- Close supervision is necessary when used near children.
- This equipment is not intended for use by persons with reduced physical, sensory or mental capabilities, or lack of experience and knowledge, unless they have been given supervision or instruction concerning use of the equipment by a person responsible for their safety.
- Ensure that adjustment levers (seat and handlebar fore-and-aft) are properly secured and do not interfere with range of motion during exercise.
- Incorrect or excessive exercise may result in serious injury or death. If you experience any kind of pain, including but not limited to chest pains, nausea, dizziness, or shortness of breath, stop exercising immediately and consult your physician before continuing.
- Do not jump on the unit.
- At no time should more than one person be on unit while in operation.
- This unit should not be used by persons weighing more than specified in the PRODUCT SPECIFICATIONS SECTION. Failure to comply will void the warranty.
- Do not use other attachments that are not recommended by the manufacturer. Attachments may cause injury.
- To clean, wipe surfaces down with soap and slightly damp cloth only; never use solvents. (See MAINTENANCE)
- At NO time should pets or children under the age of 14 be closer to the unit than 10 feet.
- At NO time should children under the age of 14 use the unit.
- Children over the age of 14 should not use the unit without adult supervision.
- Heart rate monitoring systems may be inaccurate.
- After exercising, push down on the brake lever to slow the flywheel down and decrease the potential for injury.
- The indoor cycle does not have a independently moving flywheel; the pedals will continue to move together with the flywheel until the flywheel stops.
- Use the stationary training equipment in a supervised environment.

## **SAVE THESE INSTRUCTIONS**

Read the OWNER'S GUIDE before use. When using an electrical product, basic precautions should always be followed, including the following: Read all instructions before using this equipment. It is the responsibility of the owner to ensure that all users of this equipment are adequately informed of all warnings and precautions. If you have any questions after reading this guide, contact Customer Tech Support.

This equipment is intended for in-home use only. Do not use this equipment in any commercial, rental, school or institutional setting. Failure to comply will void the warranty.

## **DANGER**

### **TO REDUCE THE RISK OF ELECTRICAL SHOCK:**

Never operate any product if it appears damaged, or has been immersed in water. Contact Customer Tech Support for replacement or repair.

It is essential that this equipment is used only indoors, in a climate controlled room. If the equipment has been exposed to colder temperatures or high moisture climates, it is strongly recommended that the equipment is warmed up to room temperature before first time use. Failure to do so may cause premature electronic failure.

### **US ONLY:**

This device complies with Part 15 of the FCC Rules. Operation is subject to the following two conditions: (1) this device may not cause harmful interference, and (2) this device must accept any interference received, including interference that may cause undesired operation.





# ASSEMBLY

## UNPACKING

Unpack the equipment where you will be using it. Place the carton on a level flat surface. It is recommended that you place a protective covering on your floor. Never open box when it is on its side.

## IMPORTANT NOTES

During each assembly step, ensure that ALL nuts and bolts are in place and partially threaded.

Several parts have been pre-lubricated to aid in assembly and usage. Please do not wipe this off. If you have difficulty, a light application of lithium grease is recommended.

## WARNING!

There are several areas during the assembly process that special attention must be paid. It is very important to follow the assembly instructions correctly and to make sure all parts are firmly tightened. If the assembly instructions are not followed correctly, the equipment could have parts that are not tightened and will seem loose and may cause irritating noises. To prevent damage to the equipment, the assembly instructions must be reviewed and corrective actions should be taken.

## TOOLS REQUIRED:

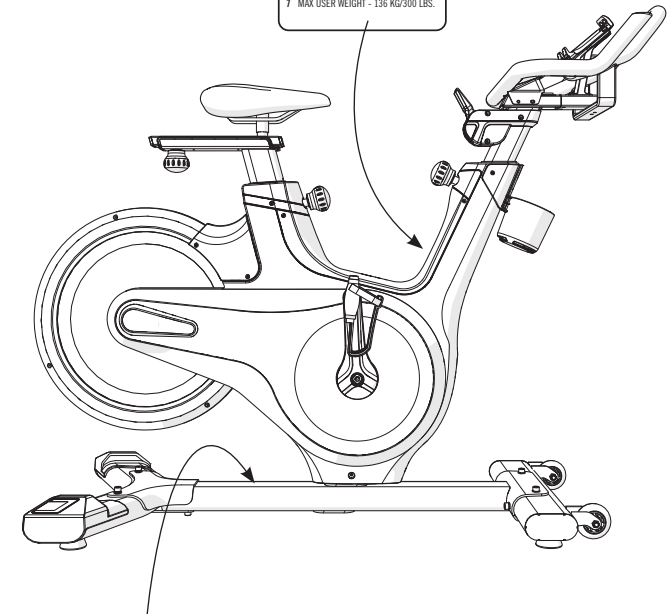
- 2.5 mm Allen Wrench
- 5 mm Allen Wrench/Screwdriver
- 6 mm Allen Wrench
- Flat Wrench (17mm)

## PARTS INCLUDED:

- 1 Main Frame
- 1 Front Stabilizer Tube
- 1 Rear Stabilizer Tube
- 1 Handlebar Set
- 1 Bicycle Saddle
- 2 Pedals
- 2 Levelers
- 1 Hardware Kit

**WARNING**

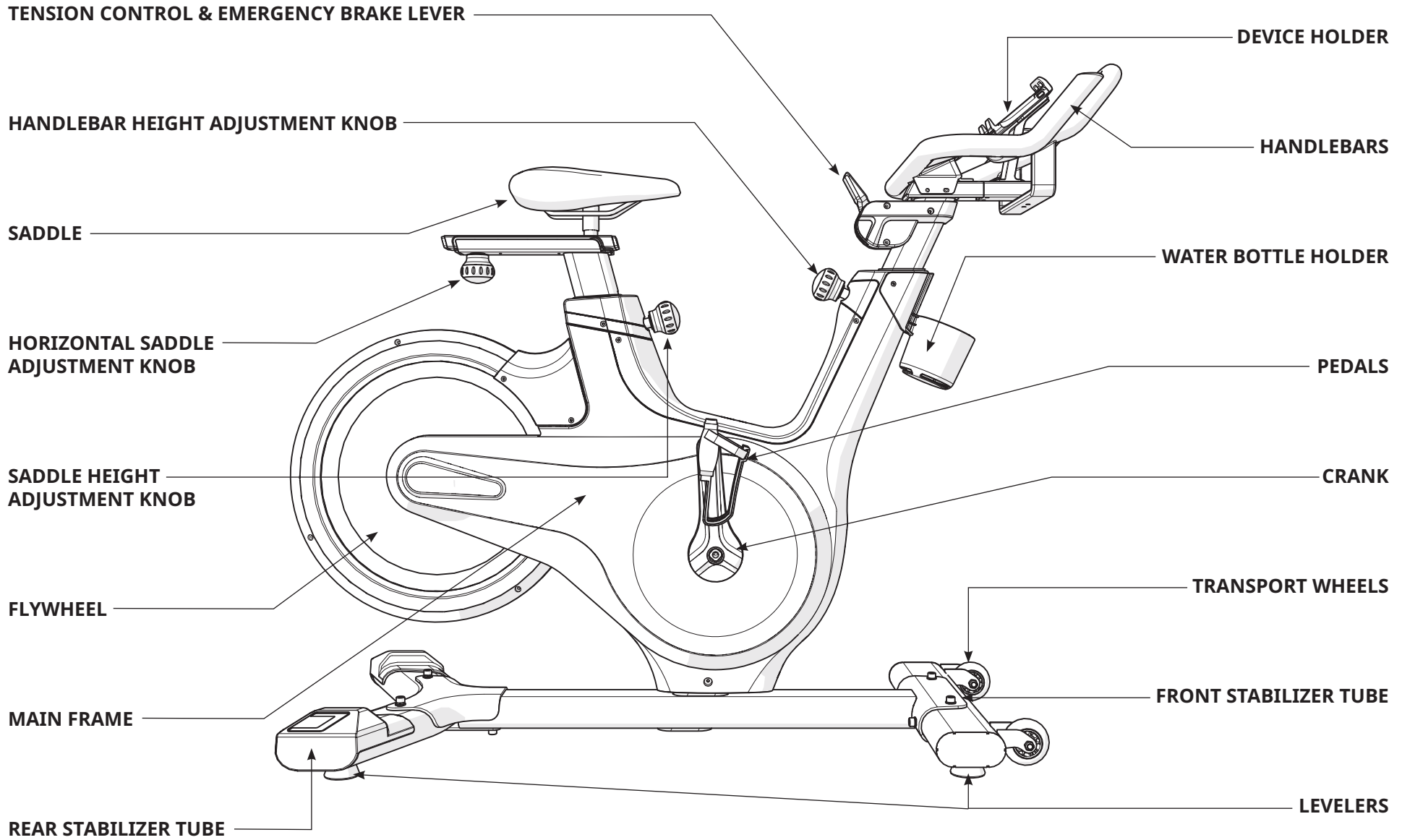
- 1 SPINNING PEDALS CAN CAUSE INJURY. THIS EXERCISE BICYCLE DOES NOT HAVE A FREEWHEEL, SO PEDAL MOTION IS DIRECTLY TIED TO MOTION OF FLYWHEEL. USE BRAKE TO STOP MOTION OF PEDALS AND FLYWHEEL.
- 2 APPLY MAXIMUM BRAKE RESISTANCE TO BIKE WHEN NOT IN USE TO PREVENT INJURIES CAUSED BY MOVING CRANK ASSEMBLY AND FLYWHEEL.
- 3 KEEP CHILDREN UNDER THE AGE OF 14 AWAY FROM EXERCISE EQUIPMENT.
- 4 ALL WARNINGS AND INSTRUCTIONS SHOULD BE READ AND PROPER INSTRUCTION OBTAINED PRIOR TO USE. USE THIS EQUIPMENT FOR ITS INTENDED PURPOSE ONLY. CONSULT A PHYSICIAN BEFORE USING THIS EQUIPMENT.
- 5 SET UP AND OPERATE THE STATIONARY EXERCISE BICYCLE ON A SOLID LEVEL SURFACE. CARE SHOULD BE TAKEN IN MOUNTING AND DISMOUNTING THE STATIONARY EXERCISE BICYCLE. BEFORE DISMOUNTING, BRING THE PEDALS TO A COMPLETE STOP.
- 6 WARNING — LOCK THE EQUIPMENT WHEN NOT IN USE BY SETTING BRAKE TO MAXIMUM RESISTANCE.
- 7 MAX USER WEIGHT - 136 KG/300 LBS.



## SERIAL NUMBER

## MODEL: ICR50 MATRIX INDOOR CYCLE

\* Use the information above when calling for service.

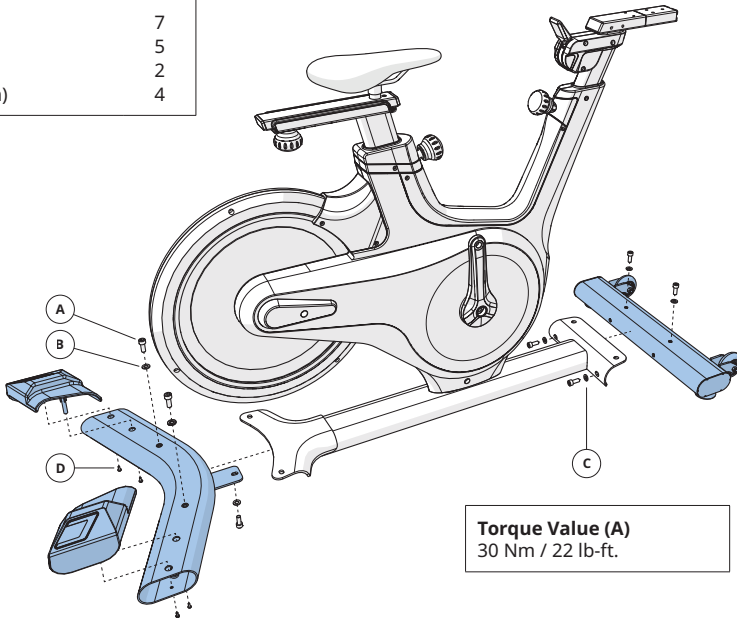
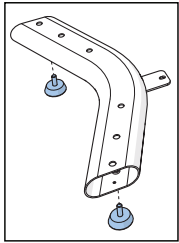




ENGLISH

**1 Hardware Qty**

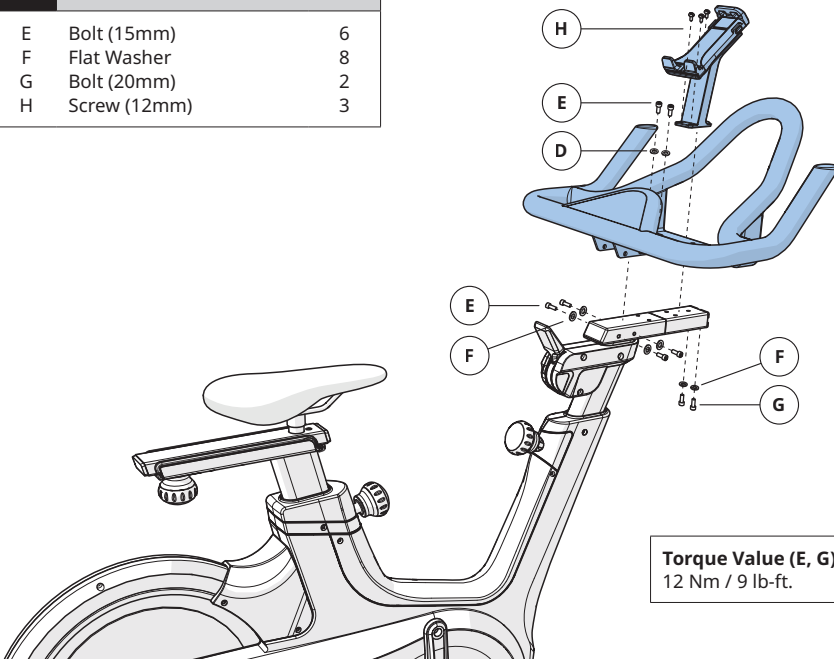
A	Bolt (20mm)	7
B	Flat Washer	5
C	Arc Washer	2
D	Screw (12mm)	4



**Torque Value (A)**  
30 Nm / 22 lb-ft.

**2 Hardware Qty**

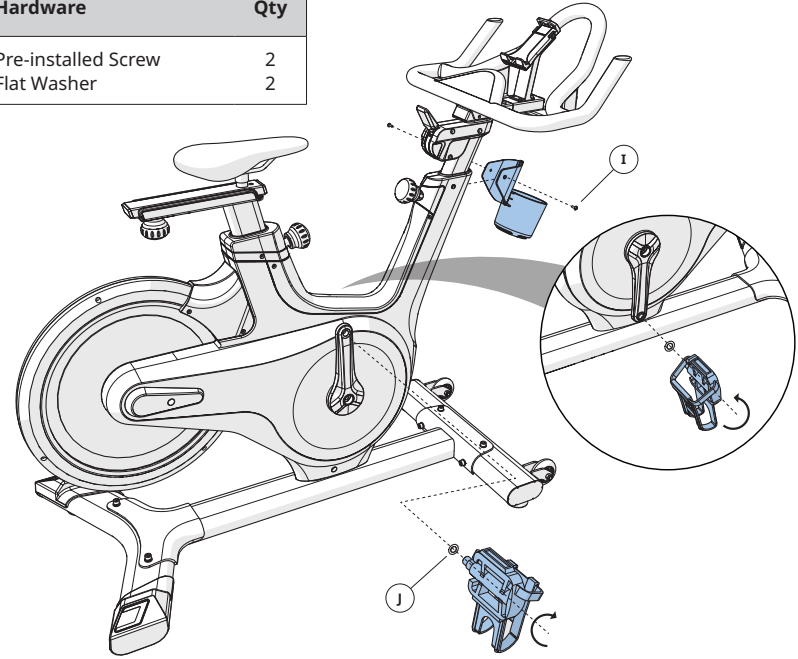
E	Bolt (15mm)	6
F	Flat Washer	8
G	Bolt (20mm)	2
H	Screw (12mm)	3



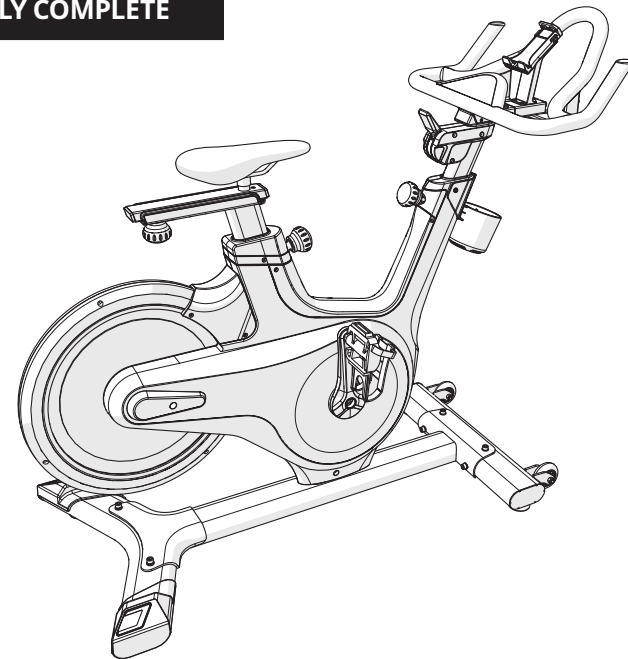
**Torque Value (E, G)**  
12 Nm / 9 lb-ft.

**3 Hardware Qty**

I	Pre-installed Screw	2
J	Flat Washer	2



**ASSEMBLY COMPLETE**



# BEFORE YOU BEGIN

## LOCATION OF THE EQUIPMENT

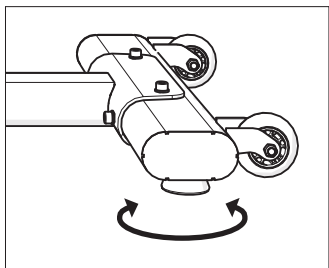
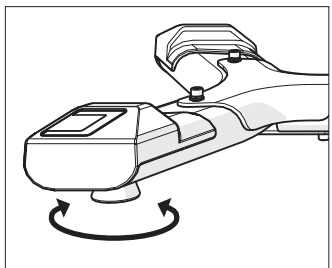
Place the equipment on a level and stable surface away from direct sunlight. The intense UV light can cause discoloration on the plastics. Locate your equipment in an area with cool temperatures and low humidity. Please leave a clear zone on all sides of the equipment that is at least 60 cm (2 ft). This zone must be clear of any obstruction and provide the user a clear exit path from the machine. Do not place the equipment in any area that will block any vent or air openings. The equipment should not be located in a garage, covered patio, near water or outdoors.

## MOVING THE EQUIPMENT

Your equipment has a pair of transport wheels built into the front stabilizer tube. To move, firmly grasp the steel portion of the rear stabilizer tube, carefully lift and roll on the transport wheels. Remove the power supply before attempting to move the bike.

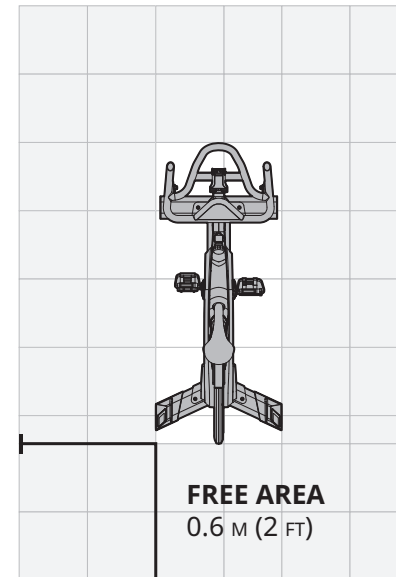
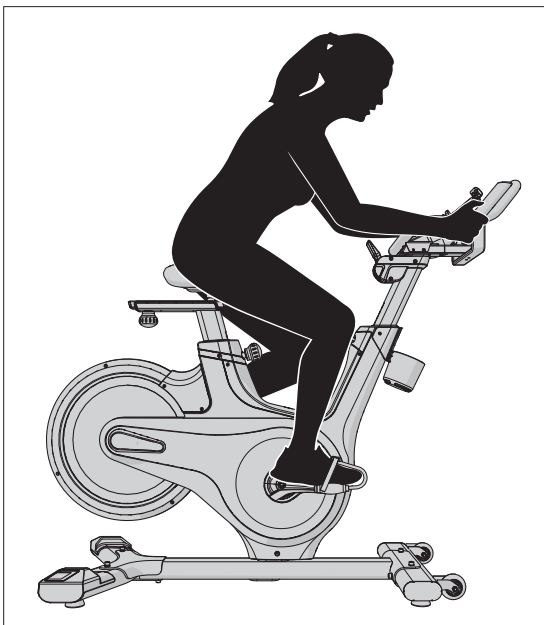
## WARNING!

Our equipments are heavy, use care and additional help if necessary when moving. Failure to follow these instructions could result in injury.



## LEVELING THE EQUIPMENT

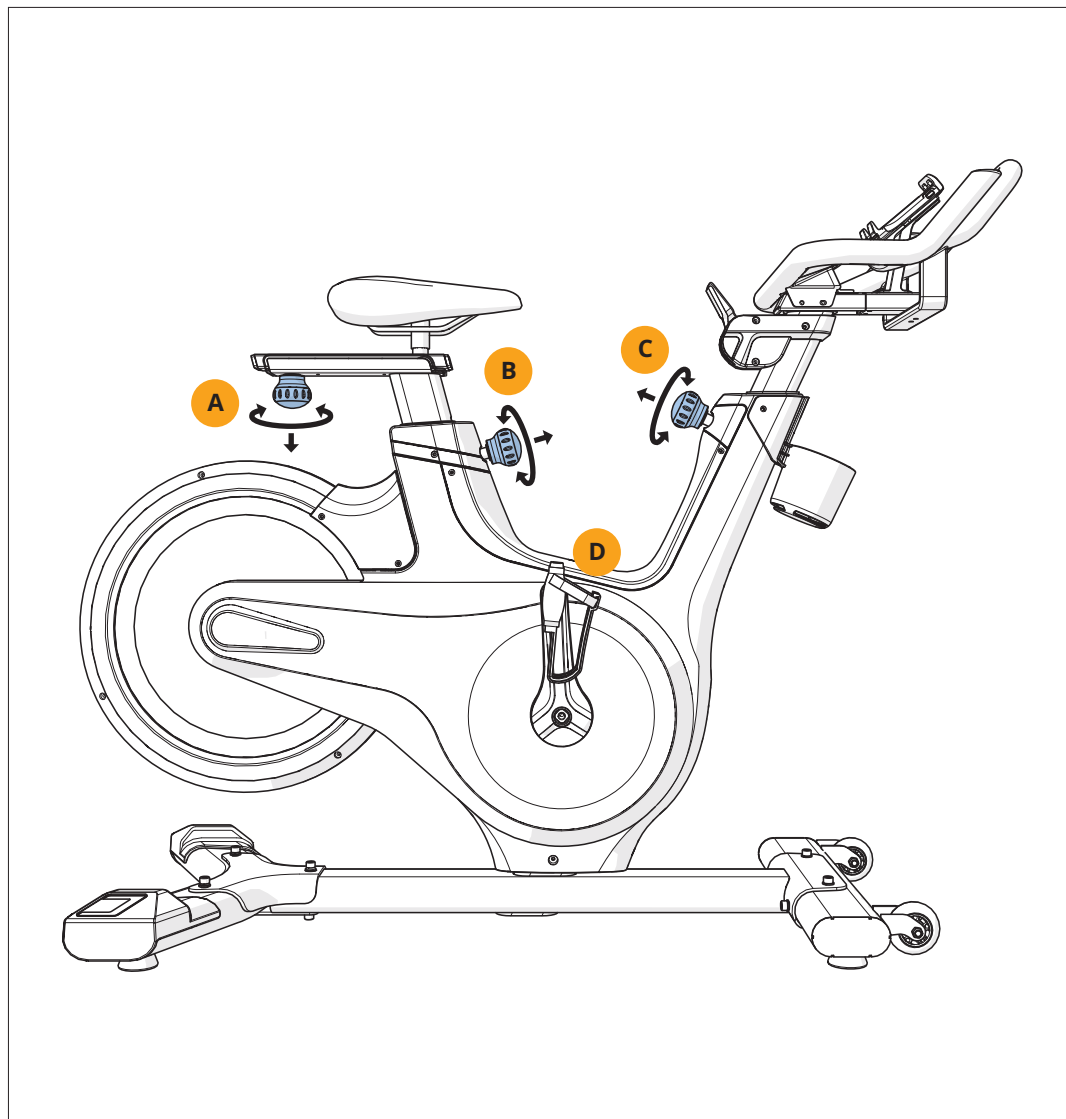
It is extremely important that the levelers are correctly adjusted for proper operation. Turn leveling foot clockwise to lower and counter-clockwise to raise unit. Adjust each side as needed until the equipment is level. An unbalanced unit may cause belt misalignment or other issues. Use of a level is recommended.



## PROPER USAGE

1. Sit on the cycle facing the handlebars. Both feet should be on the floor one on each side of the frame.
2. To determine proper seat position, sit on the seat and position both feet on the pedals. Your knee should bend slightly at the furthest pedal position. You should be able to pedal without locking your knees or shifting your weight from side to side.
3. Adjust pedal straps to desired tightness.
4. To get off of the cycle, follow the proper usage steps in reverse.





## HOW TO ADJUST THE INDOOR CYCLE

The indoor cycle can be adjusted for maximum comfort and exercise effectiveness. The instructions below describe one approach to adjusting the indoor cycle to ensure optimal user comfort and ideal body positioning; you may choose to adjust the indoor cycle differently.

### SADDLE ADJUSTMENT

Proper saddle height helps ensure maximum exercise efficiency and comfort, while reducing the risk of injury. Adjust the saddle height to make sure it's in proper position, one that keeps a slight bend in your knee while your legs are in the extended position

### HANDLEBAR ADJUSTMENT

Proper position for the handlebar is based primarily on comfort. Typically, the handlebar should be positioned slightly higher than the saddle for beginning cyclists. Advanced cyclists could try different heights to get the arrangement most suitable for them.

#### A) SADDLE HORIZONTAL POSITION

Turn the adjustment knob counterclockwise while sliding the saddle forward or backward as desired. Turn the adjustment knob clockwise to lock saddle position. Test the saddle slide for proper operation.

#### B) SADDLE HEIGHT

Turn the adjustment knob counterclockwise while sliding the saddle up and down with the other hand. Turn the adjustment knob clockwise to lock saddle position.

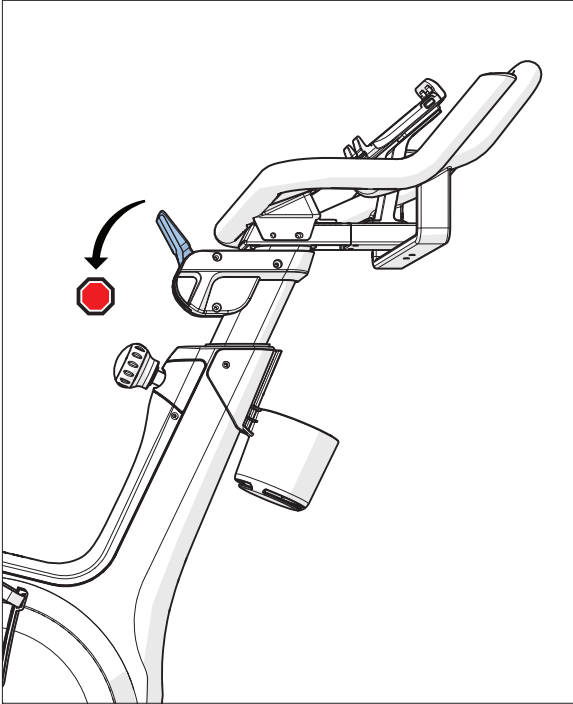
#### C) HANDLEBAR HEIGHT

Turn the adjustment knob counterclockwise while raising or lowering the handlebar with the other hand. Turn the adjustment knob clockwise to lock handlebar position.

#### D) PEDAL STRAPS

Place the ball of the foot into the toe cage until the ball of the foot is centered over the pedal, reach down and pull the pedal strap up to tighten prior to use. To remove your foot from the toe cage, loosen the strap and pull out.





## RESISTANCE CONTROL / EMERGENCY BRAKE

The resistance lever is located in front of the handlebars and provides 11 levels of pedaling resistance. To increase the resistance, push the tension control lever towards the ground. To decrease the resistance, push the lever upwards.

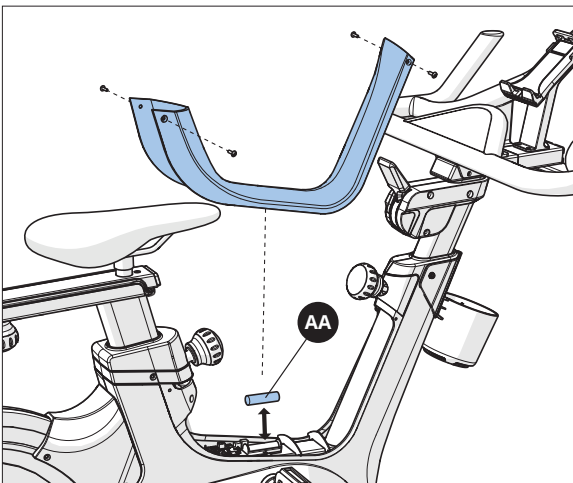
### IMPORTANT:

- To stop the flywheel while pedaling, push down hard on the lever.
- The flywheel should quickly come to a complete stop.
- Make sure your shoes are fixed into the toe clip or pedal straps.
- Apply full resistance load when the bike is not in use to prevent injuries from moving drive gear components.

### WARNING

The indoor cycle does not have a free moving flywheel; the pedals will continue to move together with the flywheel until the flywheel stops. Reducing speed in a controlled manner is required. To stop the flywheel immediately, push down the yellow emergency brake lever. Always pedal in a controlled manner and adjust your desired cadence according to your own abilities. Push the yellow lever down = emergency stop.

The indoor cycle uses a fixed flywheel that builds momentum and will keep the pedals turning even after the user stops pedaling or if the user's feet slip off. **DO NOT ATTEMPT TO REMOVE YOUR FEET FROM THE PEDALS OR DISMOUNT THE MACHINE UNTIL BOTH THE PEDALS AND THE FLYWHEEL HAVE COMPLETELY STOPPED.** Failure to follow these instructions may lead to loss of control and the potential for serious injury.



## BATTERY REPLACEMENT

If you are not getting workout readings while using the optional console or a third party app, you may need to change the battery (AA).



# TROUBLESHOOTING

## COMMON PRODUCT QUESTIONS

### ARE THE SOUNDS MY EXERCISE BIKE MAKES NORMAL?

Our exercise bikes are some of the quietest available because they use belt drives and friction free magnetic resistance. We use the highest grade bearings and belts to minimize noise. However, because the resistance system itself is so quiet, you will occasionally hear other slight mechanical noises. Unlike older, louder technologies, there are no fans, friction belts, or alternator noises to mask these sounds on our exercise bikes. These mechanical noises, which may or may not be intermittent, are normal and are caused by the transfer of significant amounts of energy to a rapidly spinning flywheel. All bearings, belts and other rotating parts will generate some noise which will transmit through the casing and frame. It is also normal for these sounds to change slightly during a workout and over time because of thermal expansion of the parts.

### WHY IS THE EXERCISE BIKE I HAD DELIVERED LOUDER THAN THE ONE AT THE STORE?

All fitness products seem quieter in a large store showroom because there is generally more background noise than in your home. Also, there will be less reverberation on a carpeted concrete floor than on a wood overlay floor. Sometimes a heavy rubber mat will help reduce reverberation through the floor. If a fitness product is placed close to a wall, there will be more reflected noise.

**PROBLEM:** The exercise bike makes a squeaking or chirping noise

Verify the following:

- 1) The exercise bike is on a level surface
- 2) Loosen all bolts attached during the assembly process, grease the threads, and tighten again

**PROBLEM:** Seat or handlebar post move after locked into position

- Make sure the adjustment knob is tightened

**PROBLEM:** Clicking noise with each pedal revolution

- 1) Check shoelaces to make sure the aglet is not tapping the bike as the pedals turn
- 2) Assure pedal straps are tight and that no excess strap on inner part of pedal is catching on the crank arm as it turns
- 3) Assure that pedals are tight on crank arms

**PROBLEM:** Clicking noise when flywheel rotates

- 1) Ensure nothing is touching flywheel
- 2) Check for noisy flywheel bearings
- 3) If flywheel bearings are noisy or rough have authorized service technician replace flywheel hub assembly

**PROBLEM:** Knocking noise or play felt in pedals/cranks

- 1) Make sure pedals are tight on crank arms
- 2) Make sure crank bolts are tight. If loose, apply blue loctite 242 to threads and tighten crank
- 3) If problem persists check the bottom bracket for looseness
- 4) If bottom bracket is loose contact authorized service technician for replacement of bottom bracket bearings

**PROBLEM:** Rocking or movement while in use

- 1) Using a hex wrench, check the attachment bolts on the front and rear stabilizers and make sure they are tight
- 2) Assure the bike is level by checking the leveling feet on the bottom of the front and rear stabilizers

# MAINTENANCE

## WHAT KIND OF ROUTINE MAINTENANCE IS REQUIRED?

Minimal maintenance and cleaning is required. Adhering to this schedule will extend the life of your machine.

We use sealed bearings throughout our bikes so lubrication is not needed. The most important maintenance step is to simply wipe your perspiration off the bike after each use.

## HOW DO I CLEAN MY BIKE?

Clean with mild soap and water cleaners only. Never use solvents on plastic parts. Cleanliness of your bike and its operating environment will keep maintenance problems and service calls to a minimum. For this reason, we recommend that the following preventive maintenance schedule be followed.

MAINTENANCE SCHEDULE	
ACTION	FREQUENCY
Clean the indoor cycle using soft cloths or paper towels or other Matrix approved solution (cleaning agents should be alcohol and ammonia free). Disinfect the saddle and handlebars and wipe off all bodily residues.	AFTER EACH USE
Make sure that the indoor cycle is level and does not rock. Ensure that the pedals are tight in crank arms and not crossthreaded, all screws on pedals are tight, and pedal straps are not frayed.	BEFORE EACH USE
Clean entire machine using water and a mild soap or other Matrix approved solution (cleaning agents should be alcohol and ammonia free). Clean all exterior parts, the steel frame, front and rear stabilizers, seat and handlebars.	WEEKLY
Test the emergency brake to make sure it is functioning properly. To do this, press down the red emergency brake lever while pedaling. When functioning properly, it should immediately slow down the flywheel until it comes to a complete stop.	BI-WEEKLY
Inspect all assembly bolts and pedals on the machine for proper tightness.	MONTHLY

## NEED ASSISTANCE?

If this troubleshooting section does not remedy the problem, discontinue use.



**Please reference contact information from local service or on the next page for assistance.**

The following information may be asked of you when you call. Please have these items readily available:

- Model Name
- Serial Number
- Proof of Purchase (receipt or credit card statement)

Some common troubleshooting questions that may be asked are:

- How long has this problem been occurring?
- Does this problem occur with every use? With every user?
- If you are hearing a noise, does it come from the front or the back? What kind of noise is it (thumping, grinding, squeaking, chirping etc.)?
- Has the machine been maintained per the MAINTENANCE schedule?

Answering these and other questions will give the technicians the ability to send proper replacement parts and the service necessary to get you and your cycle running again!

You may find more troubleshooting suggestions on the customer support section of our website.





## CUSTOMER TECH SUPPORT

**DO NOT RETURN TO THE RETAILER** if you have any problems during assembly or if parts are missing.

For fast and friendly service, please contact one of our trained customer support technicians via phone, email or our website.

**1-800-335-4348**  
**www.matrixfitness.com**  
**info@johnsonfit.com**

**Matrix Fitness**  
**1600 Landmark Drive,**  
**Cottage Grove WI, 53527**

We want to know if you have a problem and we want to have an opportunity to correct it for you.

Note: Please read the troubleshooting section before contacting Customer Tech Support. Additional product information is available on our website.

## LIMITED HOME USE WARRANTY

**WEIGHT CAPACITY: 350 LBS (159 KG)**

### FRAME: 5 YEARS

Matrix warrants the frame against defects in workmanship and materials for the period specified above from the date of original purchase, so long as the device remains in the possession of the original owner. (The frame is defined as the welded metal base of the unit and does not include any parts that can be removed.

### PARTS: 3 YEARS

Matrix warrants the electronic components, finish and all original parts for the period specified above from the date of original purchase, so long as the device remains in the possession of the original owner.

### WEAR ITEMS: 1 YEAR

Matrix warrants the wear items (pedals, seat, pedal straps, pedal clips, phone/tablet holder) for the period specified above from the date of original purchase, so long as the device remains in the possession of the original owner.

### LABOR: 1 YEAR

Matrix shall cover the labor cost for the repair of the device for the period specified above from the date of the original purchase, so long as the device remains in the possession of the original owner.

# LIMITED HOME USE WARRANTY

## EXCLUSIONS AND LIMITATIONS

Who IS covered:

- The original owner and is not transferable.

What IS covered:

- Repair or replacement of a defective motor, electronic component, or defective part and is the sole remedy of the warranty.

What IS NOT covered:

- Normal wear and tear, improper assembly or maintenance, or installation of parts or accessories not originally intended or compatible with the equipment as sold.
- Damage or failure due to accident, abuse, corrosion, discoloration of paint or plastic, neglect, theft, vandalism, fire, flood, wind, lightning, freezing, or other natural disasters of any kind, power reduction, fluctuation or failure from whatever cause, unusual atmospheric conditions, collision, introduction of foreign objects into the covered unit, or modifications that are unauthorized or not recommended by Matrix.
- Incidental or consequential damages. Matrix is not responsible or liable for indirect, special or consequential damages, economic loss, loss of property, or profits, loss of enjoyment or use, or other consequential damages of whatsoever nature in connection with the purchase, use, repair or maintenance of the equipment. Matrix does not provide monetary or other compensation for any such repairs or replacement parts costs, including but not limited to gym membership fees, work time lost, diagnostic visits, maintenance visits or transportation.
- Equipment used for commercial purposes or any use other than a single family or Household, unless endorsed by Matrix for coverage.
- Equipment owned or operated outside the US and Canada.
- Delivery, assembly, installation, setup for original or replacement units or labor or other costs associated with removal or replacement of the covered unit.
- Any attempt to repair this equipment creates a risk of injury. Matrix is not responsible or liable for any damage, loss or liability arising from any personal injury incurred during the course of, or as a result of any repair or attempted repair of your fitness equipment by other than an authorized service technician. All repairs attempted by you on your fitness equipment are undertaken AT YOUR OWN RISK and Matrix shall have no liability for any injury to the person or property arising from such repairs.
- If you are out of the manufacturer's warranty but have an extended warranty, refer to your extended warranty contract for contact information regarding requests for extended warranty service or repair.

## SERVICE/RETURNS

- In-home service is available within 150 miles of the nearest authorized Service Provider (Mileage beyond 150 miles from an authorized service center is the responsibility of the consumer).
- All returns must be pre-authorized.
- The warranty is limited to replacing or repairing, at the servicer's and/or manufacturer's option, the same or comparable model.
- Defective components may be requested to be returned to the manufacturer upon completion of warranty service using a prepaid return shipping label. If you have been advised to return parts and did not receive a label, please contact Customer Tech Support.
- Replacement units, parts and electronic components reconditioned to as-new condition by the manufacturer or its vendors may sometimes be supplied as warranty replacement and constitute fulfillment of warranty terms.
- This warranty gives you specific legal rights, and your rights may vary from states to state.





## AVERTISSEMENT

### POUR RÉDUIRE LE RISQUE DE BRÛLURE, D'INCENDIE, DE CHOC ÉLECTRIQUE OU DE BLESSURE :

- Utilisez ce vélo d'intérieur pour son usage prévu, tel que décrit dans ce manuel. N'utilisez pas d'accessoires qui n'ont pas été recommandés par le fabricant.
- Ne vous servez jamais du vélo d'intérieur s'il ne fonctionne pas correctement ou s'il a été endommagé. Contactez le support technique client ou les revendeurs agréés pour examen et réparation.
- N'utilisez pas le vélo d'intérieur sans chaussures appropriées. N'utilisez JAMAIS le vélo d'intérieur pieds nus.
- Ne portez pas de vêtements susceptibles de se coincer dans des pièces mobiles de ce vélo d'intérieur.
- Gardez toujours les mains et les pieds à l'écart des pièces en mouvement pour éviter les blessures. Ne tournez jamais les manivelles de pédalier à la main.
- Ne démontez pas le vélo d'intérieur tant que les pédales ne sont pas complètement ARRÊTÉES.
- N'insérez aucun objet, mains ou pieds dans les ouvertures, et n'exposez pas les mains, les bras ou les pieds au mécanisme d'entraînement ou à toute autre partie potentiellement mobile du vélo d'intérieur.
- N'utilisez pas de matériel endommagé ou présentant des pièces usées ou cassées. Utilisez uniquement des pièces de rechange fournies par le support technique client ou les revendeurs agréés.
- Ne l'utilisez pas lorsque des aérosols (sprays) sont utilisés ou lorsque de l'oxygène est administré.
- Une surveillance étroite est nécessaire en cas d'utilisation près d'enfants.
- Cet équipement n'est pas destiné à être utilisé par des personnes ayant des capacités physiques, sensorielles ou mentales réduites, ou un manque d'expérience et de connaissances, à moins d'avoir été supervisées ou formées à l'utilisation de l'équipement par une personne responsable de leur sécurité.
- Assurez-vous que les leviers de réglage (siège et guidon avant et arrière) sont correctement fixés et ne gênent pas l'amplitude de mouvement pendant l'exercice.
- Un exercice incorrect ou excessif peut entraîner des blessures graves ou la mort. Si vous ressentez une douleur quelconque, notamment des douleurs à la poitrine, des nausées, des étourdissements ou un essoufflement, arrêtez immédiatement de faire l'exercice et consultez votre médecin avant de continuer.
- Ne sautez pas sur l'appareil.
- À aucun moment, plus d'une personne ne doit être sur l'appareil pendant son fonctionnement.
- Cet appareil ne doit pas être utilisé par des personnes pesant plus que le poids spécifié dans la SECTION SPÉCIFICATIONS DU PRODUIT. Si vous ne vous conformez pas à ces instructions, la garantie sera annulée.
- N'utilisez pas d'autres accessoires non recommandés par le fabricant. Les accessoires peuvent causer des blessures.
- Pour nettoyer, frottez les surfaces avec du savon et un chiffon légèrement humide ; n'utilisez jamais de solvants. (Voir MAINTENANCE)
- À aucun moment, les animaux de compagnie et les enfants de moins de 14 ans ne doivent s'approcher de l'appareil à moins de 3 mètres.
- Les enfants de moins de 14 ans ne doivent à aucun moment utiliser l'appareil.
- Les enfants de plus de 14 ans ne doivent pas utiliser l'appareil sans la supervision d'un adulte.
- Les systèmes de surveillance de la fréquence cardiaque peuvent être inexacts.
- Après l'exercice, appuyez sur le levier de frein pour ralentir le volant et réduire le risque de blessure.
- Le vélo d'intérieur n'a pas de volant d'inertie bougeant indépendamment ; les pédales continueront à se déplacer avec le volant jusqu'à ce que le volant s'arrête.
- Utilisez l'équipement d'entraînement fixe dans un environnement supervisé.

## CONSERVEZ CES INSTRUCTIONS

Lisez le GUIDE DU PROPRIÉTAIRE avant utilisation. Lors de l'utilisation d'un produit électrique, des précautions de base doivent toujours être respectées, notamment les suivantes : Lisez toutes les instructions avant d'utiliser cet équipement. Il incombe au propriétaire de s'assurer que tous les utilisateurs de cet équipement sont correctement informés de tous les avertissements et de toutes les précautions. Si vous avez des questions après avoir lu ce guide, contactez le support technique.

Cet équipement est destiné à un usage domestique uniquement. N'utilisez pas cet équipement dans un environnement commercial, locatif, scolaire ou institutionnel. Si vous ne vous conformez pas à ces instructions, la garantie sera annulée.



## DANGER

### POUR RÉDUIRE LE RISQUE DE CHOC ÉLECTRIQUE :

N'utilisez jamais le produit s'il semble endommagé ou s'il a été immergé dans l'eau. Contactez l'assistance technique client pour un remplacement ou une réparation.

Il est essentiel que cet équipement ne soit utilisé qu'à l'intérieur, dans une pièce climatisée. Si l'équipement a été exposé à des températures plus froides ou à des climats très humides, il est fortement recommandé de réchauffer l'équipement jusqu'à la température ambiante avant la première utilisation. Dans le cas contraire, cela peut entraîner une défaillance électronique prématurée.

# MONTAGE

## DÉBALLAGE

Déballer l'équipement à l'endroit où vous allez l'utiliser. Placez le carton sur une surface plane et de niveau. Il est recommandé de placer un revêtement de protection sur votre sol. N'ouvrez jamais la boîte lorsqu'elle est sur le côté.

## REMARQUES IMPORTANTES

Lors de chaque étape d'assemblage, assurez-vous que TOUS les écrous et boulons sont en place et partiellement filetés.

Plusieurs pièces ont été pré-lubrifiées pour faciliter l'assemblage et l'utilisation. Veuillez ne pas enlever la lubrification. Si vous avez des difficultés, une légère application de graisse au lithium est recommandée.

## AVERTISSEMENT !

Il y a plusieurs points au cours du processus d'assemblage qui doivent faire l'objet d'une attention particulière. Il est très important de suivre correctement les instructions d'assemblage et de s'assurer que toutes les pièces sont fermement serrées. Si les instructions d'assemblage ne sont pas suivies correctement, il se pourrait que certaines pièces de l'équipement ne soient pas serrées correctement, semblent lâches et provoquent des bruits agaçants. Pour éviter d'endommager l'équipement, les instructions d'assemblage doivent être vérifiées et des mesures correctives doivent être prises.

## OUTILS NÉCESSAIRES :

- Clé Allen de 2,5 mm
- Clé Allen / Tournevis de 5 mm
- Clé Allen de 6 mm
- Clé plate (17 mm)

## PIÈCES INCLUSES :

- 1 châssis principal
- 1 tube stabilisateur avant
- 1 tube stabilisateur arrière
- 1 ensemble de guidon
- 1 selle de vélo
- 2 pédales
- 2 niveleurs
- 1 kit de matériel

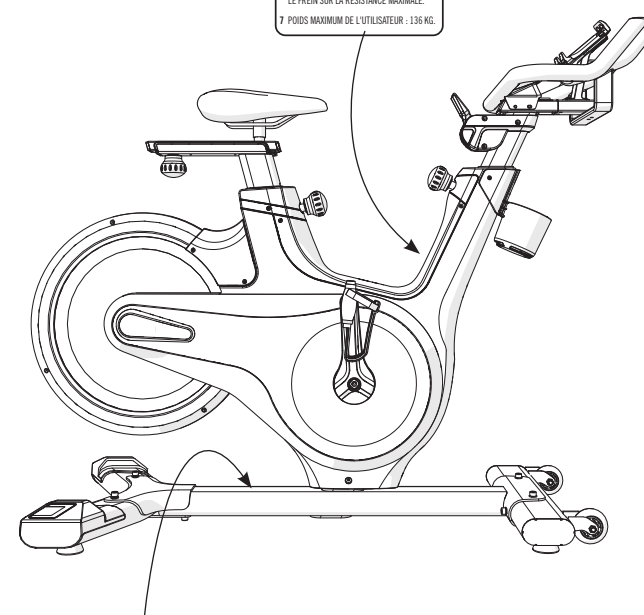
## NUMÉRO DE SÉRIE

## MODÈLE : VÉLO D'INTÉRIEUR ICR50 MATRIX

\* Utilisez les informations ci-dessus lorsque vous appelez pour un service.

### ⚠ AVERTISSEMENT

- 1 LES PÉDALES EN ROTATION PEUVENT CAUSER DES BLESSURES. CE VÉLO D'EXERCICE N'A PAS DE ROUE LIBRE. LE MOUVEMENT DE LA PÉDALE EST DONC DIRECTEMENT LIÉ AU MOUVEMENT DU VOLANT. UTILISEZ LE FREIN POUR ARRÊTER LE MOUVEMENT DES PÉDALES ET DU VOLANT.
- 2 APPLIQUEZ UNE RÉSISTANCE DE FREINAGE MAXIMALE AU VÉLO LORSQU'IL N'EST PAS UTILISÉ POUR ÉVITER LES BLESSURES CAUSÉES PAR LE MOUVEMENT DE LA MANIVELLE ET DU VOLANT D'INERTIE.
- 3 TENEZ LES ENFANTS DE MOINS DE 14 ANS À L'ÉCART DE CET ÉQUIPEMENT D'EXERCICE.
- 4 TOUTS LES AVERTISSEMENTS ET INSTRUCTIONS DOIVENT ÊTRE LUS ET LES INSTRUCTIONS APPROPRIÉES OBTENUES AVANT UTILISATION. UTILISEZ CET ÉQUIPEMENT UNIQUEMENT AUX FINS PRÉVUES. CONSULTEZ UN MÉDECIN AVANT D'UTILISER CET ÉQUIPEMENT.
- 5 INSTALLEZ ET FAITES FONCTIONNER LE VÉLO D'EXERCICE FIXE SUR UNE SURFACE PLANE ET SOLIDE. DES PRÉCAUTIONS DOIVENT ÊTRE PRISES LORS DU MONTAGE ET DU DÉMONTAGE DU VÉLO D'EXERCICE FIXE. AVANT DE DESCENDRE, ARRÊTEZ COMPLÈTEMENT LES PÉDALES.
- 6 ATTENTION : VÉRIFIEZ L'ÉQUIPEMENT LORSQU'IL N'EST PAS UTILISÉ EN RÉGLANT LE FREIN SUR LA RÉSISTANCE MAXIMALE.
- 7 POIDS MAXIMUM DE L'UTILISATEUR : 136 KG.





CONTRÔLE DE TENSION ET LEVIER DE FREIN D'URGENCE

BOUTON DE RÉGLAGE DE LA HAUTEUR DU GUIDON

SELLE

BOUTON DE RÉGLAGE  
DE SELLE HORIZONTAL

BOUTON DE RÉGLAGE  
DE LA HAUTEUR DE SELLE

VOLANT

CHÂSSIS PRINCIPAL

TUBE STABILISATEUR  
ARRIÈRE

SUPPORT POUR  
APPAREILS

GUIDONS

PORTE-BIDON

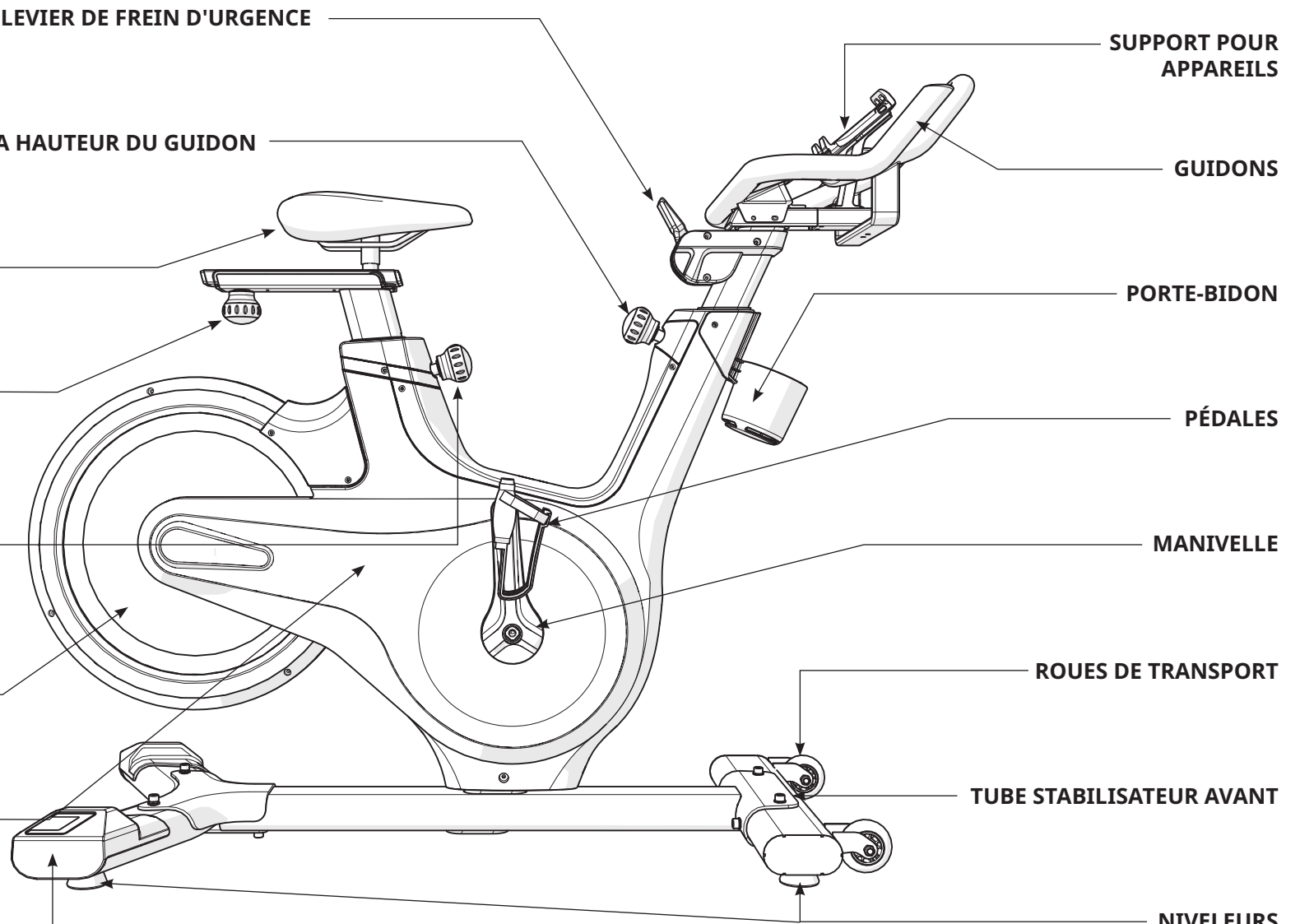
PÉDALES

MANIVELLE

ROUES DE TRANSPORT

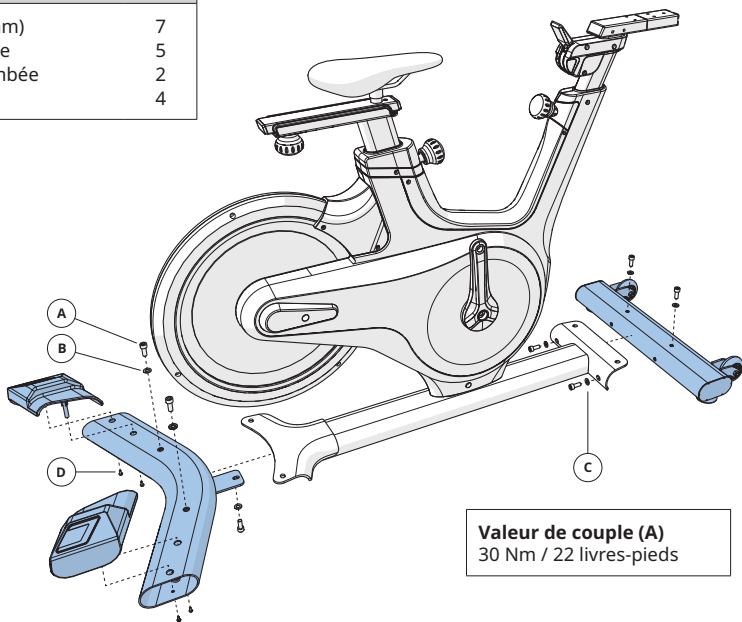
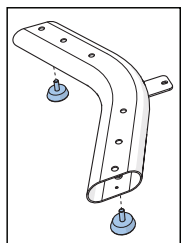
TUBE STABILISATEUR AVANT

NIVELEURS



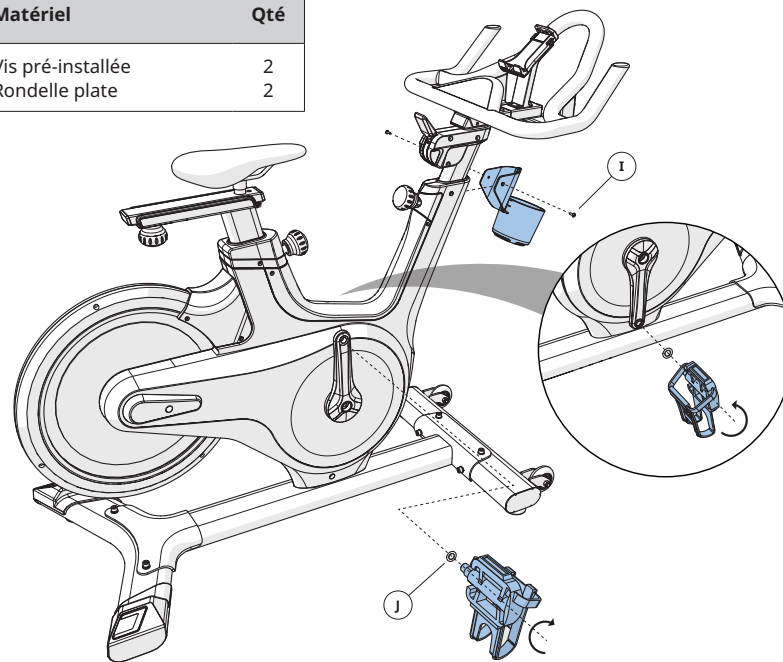


1	Matériel	Qté
A	Boulon (20 mm)	7
B	Rondelle plate	5
C	Rondelle bombée	2
D	Vis (12 mm)	4

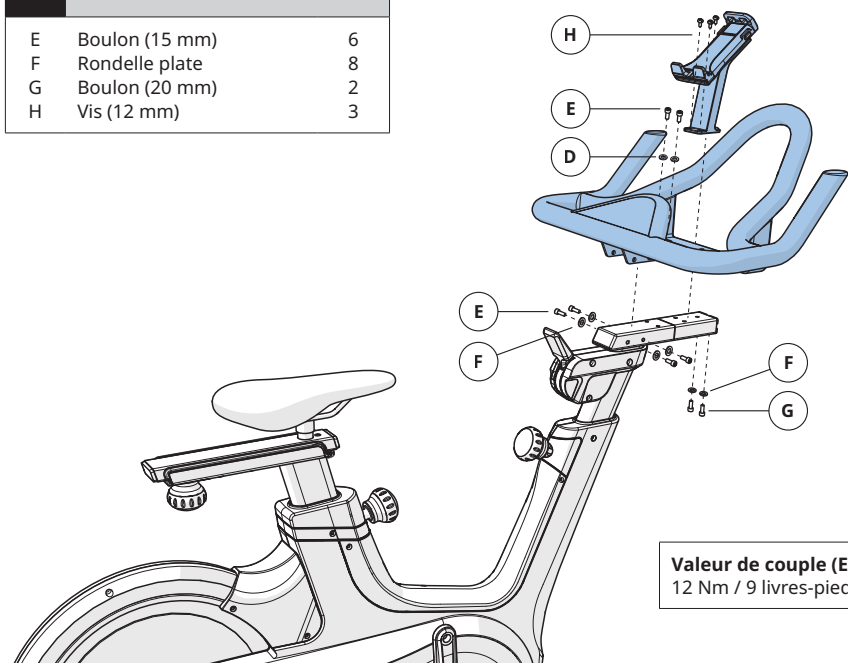


Valeur de couple (A)  
30 Nm / 22 livres-pieds

3	Matériel	Qté
I	Vis pré-installée	2
J	Rondelle plate	2



2	Matériel	Qté
E	Boulon (15 mm)	6
F	Rondelle plate	8
G	Boulon (20 mm)	2
H	Vis (12 mm)	3



Valeur de couple (E, G)  
12 Nm / 9 livres-pieds

**L'ASSEMBLAGE EST TERMINÉ**





## AVANT DE COMMENCER

### EMPLACEMENT DE L'ÉQUIPEMENT

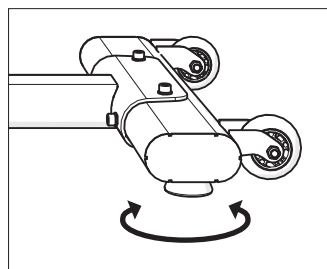
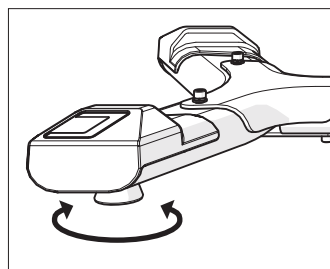
Placez l'équipement sur une surface plane et stable, à l'abri de la lumière directe du soleil. La lumière UV intense peut provoquer une décoloration des plastiques. Placez votre équipement dans une zone avec des températures fraîches et une faible humidité. Veuillez laisser une zone libre autour de l'équipement d'au moins 60 cm (2 pieds). Cette zone doit être exempte de toute obstruction et fournir à l'utilisateur une voie de sortie dégagée de la machine. Ne placez pas l'équipement dans un endroit où il serait susceptible de bloquer les ouvertures d'aération ou de ventilation. L'équipement ne doit pas être situé dans un garage, sur une terrasse couverte, près de l'eau ou à l'extérieur.

### DÉPLACEMENT DE L'ÉQUIPEMENT

Votre équipement est équipé d'une paire de roues de transport intégrées dans le tube stabilisateur avant. Pour vous déplacer, saisissez fermement la partie en acier du tube stabilisateur arrière, soulevez avec précaution et roulez sur les roues de transport. Retirez l'alimentation avant de déplacer le vélo.

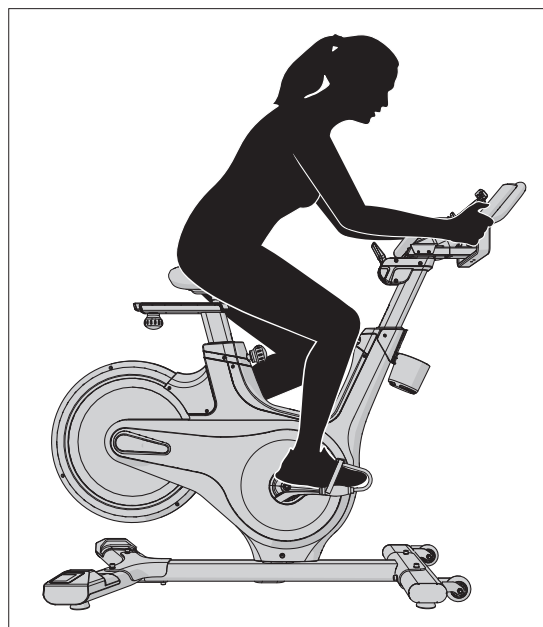
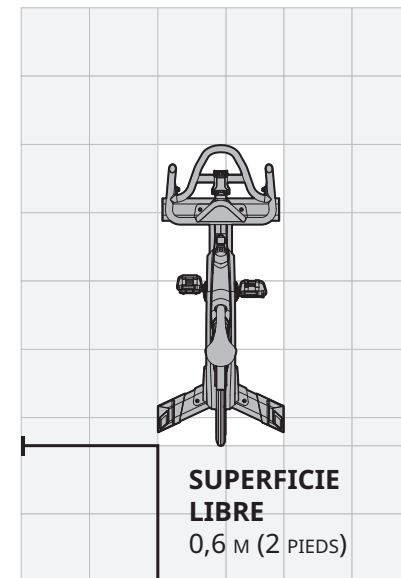
### AVERTISSEMENT !

Nos équipements sont lourds ; prenez des précautions et demandez de l'aide supplémentaire si nécessaire quand vous les déplacez. Le non-respect de ces instructions peut entraîner des blessures.



### NIVELLEMENT DE L'ÉQUIPEMENT

Il est extrêmement important que les niveleurs soient correctement ajustés pour un fonctionnement correct. Tournez le pied de nivellement dans le sens horaire pour abaisser l'appareil et dans l'autre sens pour le relever. Ajustez chaque côté si nécessaire jusqu'à ce que l'équipement soit à niveau. Un appareil non équilibré peut provoquer un défaut d'alignement de la courroie ou d'autres problèmes. L'utilisation d'un niveau est recommandée.



### UTILISATION APPROPRIÉE

1. Asseyez-vous sur le vélo face au guidon. Les deux pieds doivent être au sol, un de chaque côté du cadre.
2. Pour déterminer la bonne position de la selle, asseyez-vous sur celui-ci et placez les deux pieds sur les pédales. Votre genou devrait être légèrement plié à la position de pédale la plus tendue. Vous devriez pouvoir pédaler sans bloquer vos genoux ni déplacer votre poids d'un côté à l'autre.
3. Ajustez les sangles des pédales au serrage désiré.
4. Pour descendre du vélo, suivez les étapes d'utilisation correctes en sens inverse.



## COMMENT RÉGLER LE VÉLO D'INTÉRIEUR

Le vélo d'intérieur peut être réglé pour un maximum de confort et d'efficacité. Les instructions ci-dessous décrivent une approche du réglage du vélo d'intérieur pour assurer un confort optimal à l'utilisateur et un positionnement idéal du corps mais vous pouvez choisir d'ajuster le vélo d'intérieur différemment.

### RÉGLAGE DE LA SELLE

Une bonne hauteur de selle contribue à assurer une efficacité et un confort maximum tout en réduisant les risques de blessures. Ajustez la hauteur de la selle pour vous assurer qu'elle est bien positionnée, en gardant une légère flexion du genou lorsque vos jambes sont en position étendue.

### RÉGLAGE DU GUIDON

La position correcte du guidon repose essentiellement sur le confort. En règle générale, le guidon doit être placé légèrement plus haut que la selle pour les cyclistes débutants. Les cyclistes avancés peuvent essayer différentes hauteurs pour obtenir l'agencement qui leur convient le mieux.

#### A) SELLE EN POSITION HORIZONTALE

Tournez le bouton de réglage dans le sens inverse des aiguilles d'une montre tout en faisant glisser la selle vers l'avant ou vers l'arrière comme vous le souhaitez. Tournez le bouton de réglage dans le sens des aiguilles d'une montre pour verrouiller la position de la selle. Testez le glissement de la selle pour un fonctionnement correct.

#### B) HAUTEUR DE LA SELLE

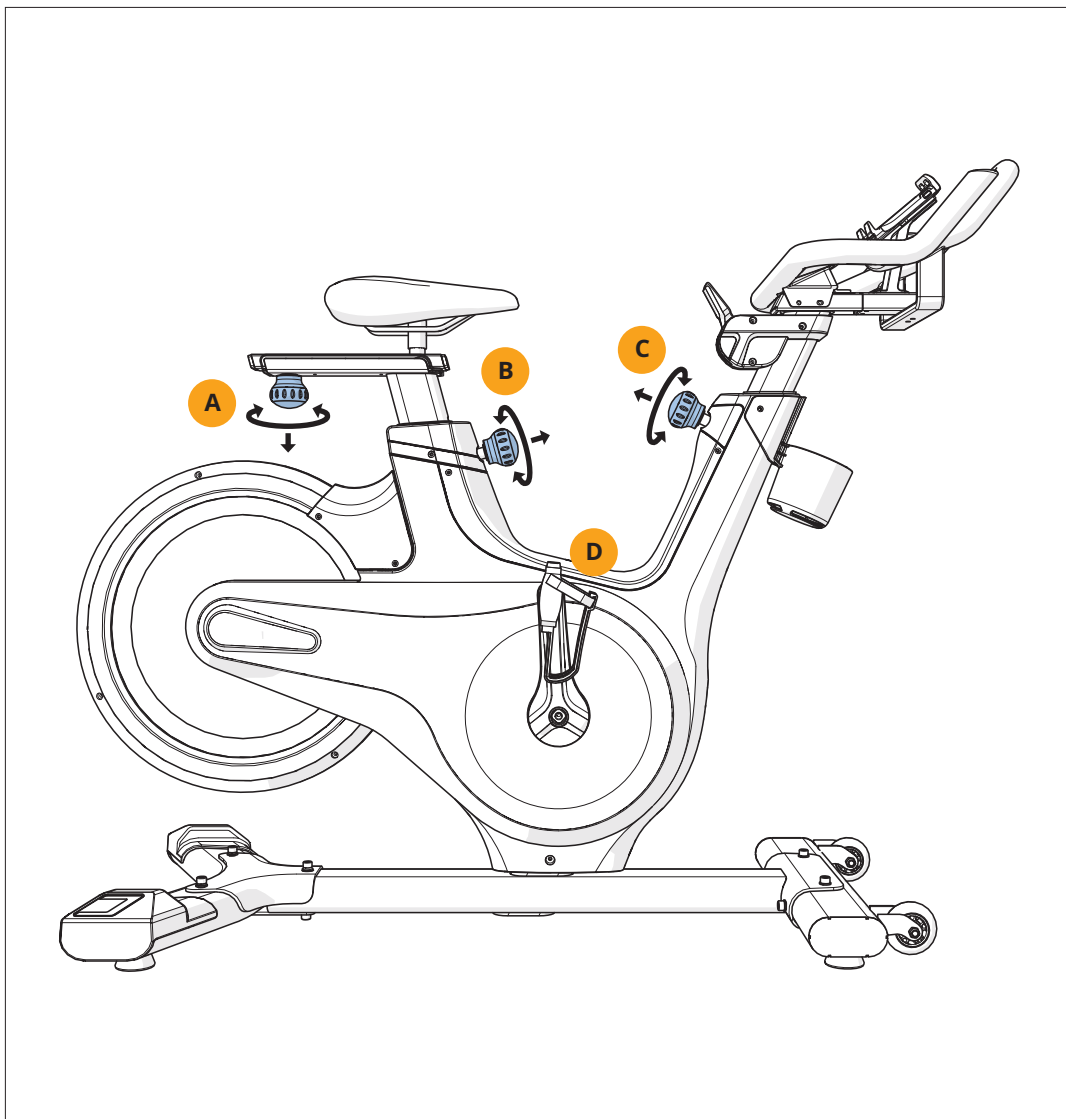
Tournez le bouton de réglage dans le sens inverse des aiguilles d'une montre tout en faisant glisser la selle de haut en bas avec l'autre main. Tournez le bouton de réglage dans le sens des aiguilles d'une montre pour verrouiller la position de la selle.

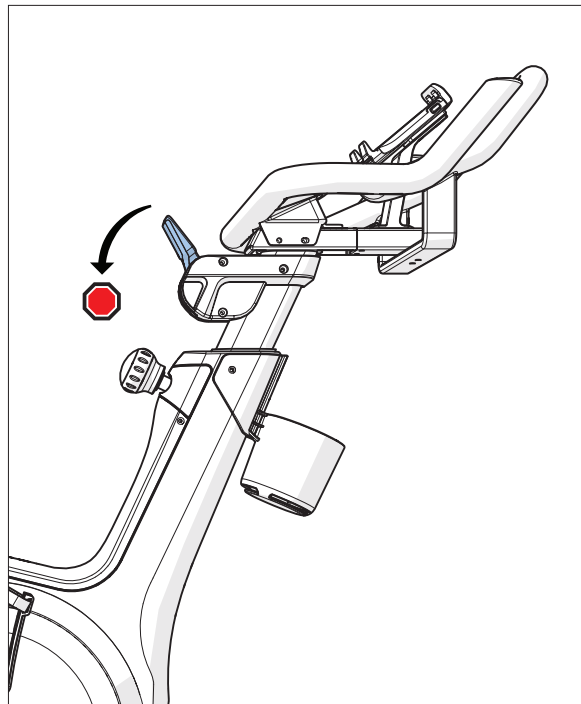
#### C) HAUTEUR DU GUIDON

Tournez le bouton de réglage dans le sens inverse des aiguilles d'une montre tout en soulevant ou en abaissant le guidon avec l'autre main. Tournez le bouton de réglage dans le sens des aiguilles d'une montre pour verrouiller la position du guidon.

#### D) SANGLES DE PÉDALE

Placez la base métatarsale du pied dans la pédale jusqu'à ce que la base métatarsale du pied soit centrée sur la pédale, abaissez-la et tirez la sangle de la pédale pour la serrer avant utilisation. Pour retirer votre pied de la pédale, desserrez la sangle et tirez votre pied.





## CONTRÔLE DE RÉSISTANCE / FREIN D'URGENCE

Le levier de résistance est situé devant le guidon et offre 11 niveaux de résistance de pédalage. Pour augmenter la résistance, poussez le levier de contrôle de la tension vers le sol. Pour diminuer la résistance, tirez le levier vers le haut.

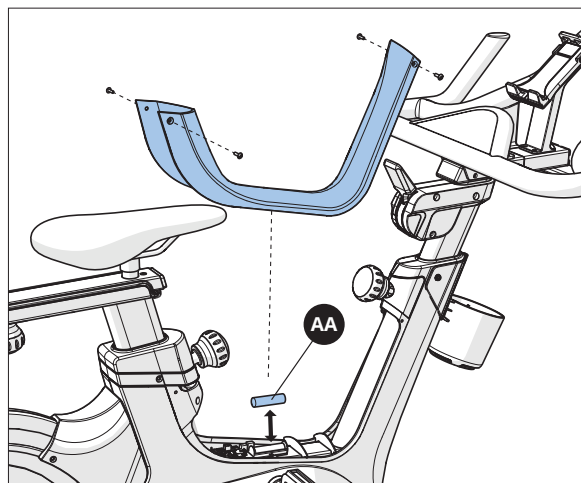
### IMPORTANT :

- Pour arrêter le volant tout en pédalant, appuyez fermement sur le levier.
- Le volant doit s'arrêter rapidement.
- Assurez-vous que vos chaussures sont fixées dans la pédale ou des sangles de pédale.
- Appliquez une charge de pleine résistance lorsque le vélo n'est pas utilisé pour prévenir les blessures dues au déplacement des composants de transmission

### ⚠ AVERTISSEMENT

Le vélo d'intérieur n'a pas de volant d'inertie bougeant librement ; les pédales continueront à se déplacer avec le volant jusqu'à ce que le volant s'arrête. La réduction de la vitesse de manière contrôlée est nécessaire. Pour arrêter le volant immédiatement, appuyez sur le levier de frein d'urgence jaune. Pédalez toujours de manière contrôlée et ajustez votre cadence en fonction de vos capacités. Pousser le levier jaune vers le bas = arrêt d'urgence.

Le vélo d'intérieur utilise un volant fixe qui crée de l'élan et qui maintient les pédales en rotation même après que l'utilisateur ai cessé de pédaler ou si les pieds de l'utilisateur ont glissé. N'ESSAYEZ PAS DE RETIRER VOS PIEDS DES PÉDALES OU DE DÉMONTER LA MACHINE AVANT QUE LES PÉDALES ET LE VOLANT NE SOIENT COMPLÈTEMENT ARRÊTÉS. Le non-respect de ces instructions peut entraîner une perte de contrôle et un risque de blessure grave.



## REMPACEMENT DE LA BATTERIE

Si vous n'obtenez pas de lecture d'exercice lorsque vous utilisez la console en option ou une application tierce, vous devez peut-être changer la pile (AA).

# DÉPANNAGE

## QUESTIONS COURANTES SUR LES PRODUITS

### LES SONS ÉMIS PAR MON VÉLO D'EXERCICE SONT-ILS NORMAUX ?

Nos vélos d'exercice sont parmi les plus silencieux car ils utilisent des entraînements par courroie et une résistance magnétique sans frottement. Nous utilisons les roulements et les courroies de la plus haute qualité afin de minimiser le bruit. Cependant, comme le système de résistance lui-même est très silencieux, vous entendrez parfois d'autres légers bruits mécaniques. Contrairement aux technologies plus anciennes et plus bruyantes, il n'y a pas de ventilateurs, de courroies de friction ou de bruits d'alternateur pour masquer ces sons sur nos vélos d'exercice. Ces bruits mécaniques, intermittents ou non, sont normaux et sont causés par le transfert d'importantes quantités d'énergie à un volant qui tourne rapidement. Tous les roulements, courroies et autres pièces en rotation génèrent un bruit qui sera transmis à travers le boîtier et le cadre. Il est également normal que ces sons changent légèrement pendant un entraînement et dans le temps en raison de la dilatation thermique des pièces.

### POURQUOI LE VÉLO D'EXERCICE QUE JE ME SUIS FAIT LIVRER EST PLUS BRUYANT QUE CELUI DU MAGASIN ?

Tous les produits de fitness semblent plus silencieux dans une grande salle d'exposition car il y a généralement davantage de bruit de fond que chez vous. En outre, il y aura moins de réverbération sur un sol en béton avec moquette que sur un sol recouvert de bois. Parfois, un tapis en caoutchouc épais aide à réduire la réverbération à travers le sol. Si un produit de fitness est placé près d'un mur, il y aura plus de bruit réfléchi.

**PROBLÈME :** Le vélo d'exercice émet un grincement ou un son strident.

Vérifiez les éléments suivants :

- 1) Le vélo d'exercice est sur une surface de niveau.
- 2) Desserrez tous les boulons fixés pendant le processus d'assemblage, graissez les filets et resserrez.

**PROBLÈME :** La selle ou le guidon bougent après avoir été bloqués.

- Assurez-vous que le bouton de réglage est serré.

**PROBLÈME :** Cliquetis à chaque tour de pédale.

- 1) Vérifiez vos lacets pour vous assurer que les aglets ne tapotent pas le vélo lorsque les pédales tournent.
- 2) Assurez-vous que les sangles de pédale sont bien serrées et qu'aucun surplus de sangle sur la partie interne de la pédale n'est accroché au bras de manivelle lorsqu'il tourne.
- 3) Assurez-vous que les pédales sont bien serrées sur les bras de manivelle.

**PROBLÈME :** Cliquetis lorsque le volant tourne.

- 1) Assurez-vous que rien ne touche le volant.
- 2) Vérifiez que les roulements du volant ne font pas de bruit.
- 3) Si les roulements du volant sont bruyants ou rugueux, faire appel à un technicien agréé pour remplacer le moyeu du volant.

**PROBLÈME :** Cliquetis ou jeu ressenti dans les pédales / manivelles.

- 1) Assurez-vous que les pédales sont bien serrées sur les bras de manivelle.
- 2) Assurez-vous que les boulons de manivelle sont serrés. S'ils sont lâches, appliquez de la blue loctite 242 sur les filets et serrez la manivelle.
- 3) Si le problème persiste, vérifiez si le pédalier est desserré.
- 4) Si le boîtier de pédalier est desserré, contactez un technicien agréé pour remplacer les roulements du boîtier de pédalier.

**PROBLÈME :** Basculement ou mouvement pendant l'utilisation.

- 1) À l'aide d'une clé hexagonale, vérifiez les boulons de fixation des stabilisateurs avant et arrière et assurez-vous qu'ils sont bien serrés.
- 2) Assurez-vous que le vélo est de niveau en vérifiant les pieds de nivellement situés au bas des stabilisateurs avant et arrière.





# ENTRETIEN

FRANÇAIS

## QUEL GENRE D'ENTRETIEN DE ROUTINE EST-IL NÉCESSAIRE ?

Un minimum d'entretien et de nettoyage est requis. Le respect de ce calendrier prolongera la vie de votre machine.

Nous utilisons des roulements étanches sur tous nos vélos, la lubrification n'est donc pas nécessaire. L'étape la plus importante en matière d'entretien consiste simplement à essuyer votre transpiration du vélo après chaque utilisation.

## COMMENT NETTOYER MON VÉLO ?

Nettoyez-le avec du savon doux et des produits nettoyants à l'eau uniquement. N'utilisez jamais de solvants sur les pièces en plastique. La propreté de votre vélo et de son environnement de fonctionnement minimisera les problèmes de maintenance et les appels de service. Pour cette raison, nous recommandons de suivre le programme d'entretien préventif suivant.

PROGRAMME D'ENTRETIEN	
ACTION	FRÉQUENCE
Nettoyez le vélo d'intérieur à l'aide de chiffons doux, d'essuie-tout ou d'une autre solution approuvée par Matrix (les produits de nettoyage doivent être exempts d'alcool et d'ammoniac). Désinfectez la selle et le guidon et essuyez tous les résidus corporels.	APRÈS CHAQUE UTILISATION
Vérifiez que le vélo d'intérieur est de niveau et ne bascule pas. Assurez-vous que les pédales sont bien serrées dans les bras de manivelle et qu'elles ne sont pas tordues, que toutes les vis des pédales sont bien serrées et que les sangles des pédales ne sont pas effilochées.	AVANT CHAQUE UTILISATION
Nettoyez la machine entière avec de l'eau et un savon doux ou une autre solution approuvée par Matrix (les produits de nettoyage doivent être exempts d'alcool et d'ammoniac). Nettoyez toutes les pièces extérieures, le cadre en acier, les stabilisateurs avant et arrière, le siège et le guidon.	HEBDOMADAIRE-MENT
Testez le frein d'urgence pour vous assurer qu'il fonctionne correctement. Pour ce faire, appuyez sur le levier du frein d'urgence rouge tout en pédalant. S'il fonctionne correctement, il devrait immédiatement ralentir le volant jusqu'à son arrêt complet.	BI-HEBDOMADAIRE-MENT
Inspectez tous les boulons d'assemblage et les pédales de la machine pour vérifier qu'ils sont bien serrés.	MENSUELLEMENT

## BESOIN D'ASSISTANCE ?

Si cette section de dépannage ne résout pas le problème, stoppez l'utilisation.



**Veillez consulter les coordonnées auprès du service local ou sur la page suivante pour obtenir de l'aide.**

Les informations suivantes peuvent vous être demandées lorsque vous appelez. Veuillez avoir ces éléments à disposition :

- Nom du modèle
- Numéro de série
- Preuve d'achat (facture ou relevé de carte de crédit)

Voici quelques questions de dépannage courantes pouvant être posées :

- Depuis combien de temps ce problème se produit-il ?
- Ce problème se produit-il à chaque utilisation ? Avec chaque utilisateur ?
- Si vous entendez un bruit, cela vient-il de l'avant ou de l'arrière ? De quel type de bruit s'agit-il (cognement, grincement, couinement, sifflement, etc.) ?
- LA MACHINE A-T-ELLE ÉTÉ ENTRETENUE CONFORMÉMENT AU PROGRAMME D'ENTRETIEN ?

Si ces questions ainsi que d'autres trouvent réponses, les techniciens auront la possibilité d'envoyer les pièces de rechange appropriées et de fournir le service nécessaire pour que votre vélo puisse fonctionner à nouveau et que vous puissiez recommencer à vous entraîner !

Vous pouvez trouver plus de suggestions de dépannage dans la section support client de notre site Web.

## SUPPORT TECHNIQUE CLIENT

**NE PROCÉDEZ PAS À UN RENVOI AU DÉTAILLANT** si vous rencontrez des problèmes lors de l'assemblage ou si des pièces manquent.

Pour un service rapide et convivial, veuillez contacter l'un de nos techniciens de l'assistance clientèle formés par téléphone, par e-mail ou via notre site Web.

**1-800-335-4348**  
**www.matrixfitness.com**  
**info@johnsonfit.com**

**Matrix Fitness**  
**1600 Landmark Drive,**  
**Cottage Grove WI, 53527**

Nous voulons savoir si vous avez un problème et nous voulons avoir la possibilité de le corriger pour vous.

Remarque : Veuillez lire la section de dépannage avant de contacter le support technique client. Des informations supplémentaires sur les produits sont disponibles sur notre site Web.

## GARANTIE LIMITÉE D'UTILISATION À DOMICILE

**CAPACITÉ DE POIDS : 159 KG (350 LIVRES)**

### **CADRE : 5 ANS**

Matrix garantit le cadre contre les défauts de fabrication et les matériaux pour la période spécifiée ci-dessus à partir de la date d'achat d'origine, tant que l'appareil reste en possession du propriétaire d'origine. Le châssis est défini comme la base en métal soudé de l'appareil et n'inclut aucune pièce pouvant être retirée.

### **PIÈCES : 3 ANS**

Matrix garantit les composants électroniques, la finition et toutes les pièces d'origine pour la période spécifiée ci-dessus à partir de la date d'achat d'origine, tant que l'appareil reste en possession du propriétaire d'origine.

### **PIÈCES D'USURE : 1 AN**

Matrix garantit les pièces d'usure (pédales, selle, sangles de pédale, pinces de pédale, support pour téléphone / tablette) pendant la période susmentionnée à compter de la date de l'achat d'origine, tant que l'appareil reste en la possession du propriétaire original.

### **MAIN D'OEUVRE : 1 AN**

Matrix prend en charge les coûts de main-d'œuvre pour la réparation de l'appareil pendant la période spécifiée ci-dessus à compter de la date d'achat d'origine, tant que l'appareil reste en possession du propriétaire d'origine.





## GARANTIE LIMITÉE D'UTILISATION À DOMICILE

### EXCLUSIONS ET RESTRICTIONS

Qui EST couvert :

- Le propriétaire original et il n'est pas transférable.

Ce qui EST couvert :

- La réparation ou le remplacement d'un moteur en panne, d'un composant électronique ou d'une pièce défectueuse constitue le seul recours de la garantie.

Ce qui N'EST PAS couvert :

- Usure normale, montage ou entretien inadéquat, ou installation de pièces ou accessoires non initialement prévus ou compatibles avec l'équipement vendu.
- Dommages ou pannes dus à un accident, abus, corrosion, décoloration de la peinture ou du plastique, négligence, vol, vandalisme, incendie, inondation, vent, foudre, gel ou autres catastrophes naturelles de toute nature, réduction de puissance, fluctuation ou défaillance due à quelque cause que ce soit, conditions atmosphériques inhabituelles, collision, introduction de corps étrangers dans l'unité couverte ou modifications non autorisées ou non recommandées par Matrix.
- Dommages accidentels ou consécutifs. Matrix n'est pas responsable des dommages indirects, spéciaux ou consécutifs, des pertes économiques, des pertes de biens ou de profits, de la perte de jouissance ou d'usage, ou de tout autre dommage indirect de quelque nature que ce soit, liés à l'achat, l'utilisation, la réparation ou l'entretien de l'équipement. Matrix ne fournit aucune compensation monétaire ou autre pour les coûts de réparation ou de remplacement de pièces, y compris, mais sans s'y limiter, les frais d'adhésion à une salle de sport, le temps de travail perdu, les visites de diagnostic, les visites d'entretien ou le transport.
- L'équipement utilisé à des fins commerciales ou pour toute utilisation autre par une famille ou un ménage unique, à moins que Matrix n'approuve sa couverture.
- Matériel détenu ou exploité en dehors des États-Unis et du Canada.
- Livraison, assemblage, installation, configuration des unités d'origine ou de remplacement, main-d'œuvre ou autres coûts associés au retrait ou au remplacement de l'unité couverte.
- Toute tentative de réparation de cet équipement peut engendrer un risque de blessure. Matrix n'est pas responsable des dommages, pertes ou responsabilités résultant de blessures personnelles subies au cours ou à la suite d'une réparation ou d'une tentative de réparation de votre équipement de fitness par des personnes autres qu'un technicien de service agréé. Toutes les réparations que vous tentez d'effectuer sur votre appareil de fitness sont effectuées À VOS RISQUES et Matrix ne pourra être tenue responsable des blessures qui pourraient en résulter pour la personne ou les biens.
- Si vous n'êtes plus sous la garantie du fabricant mais que vous avez une garantie prolongée, reportez-vous à votre contrat de garantie prolongée pour connaître les coordonnées pour les demandes de réparation ou de service sous garantie prolongée.

### SERVICE / RETOURS

- Le service à domicile est disponible dans un rayon de 150 km du fournisseur de service agréé le plus proche (le kilométrage au-delà de 150 km d'un centre de service agréé incombe au consommateur).
- Tous les retours doivent être autorisés au préalable.
- La garantie est limitée au remplacement ou à la réparation, à la discrétion de l'agent de maintenance et / ou du fabricant, du même modèle ou d'un modèle comparable.
- À la fin du service de garantie, il peut vous être demandé de renvoyer les composants défectueux au fabricant en utilisant une étiquette d'expédition prépayée. Si vous avez été prié de renvoyer des pièces et que vous n'avez pas reçu d'étiquette, veuillez contacter le support technique.
- Des unités de remplacement, des pièces et des composants électroniques remis à l'état neuf par le fabricant ou ses fournisseurs peuvent parfois être fournies en remplacement de la garantie et constituent le respect des conditions de la garantie.
- Cette garantie vous donne des droits légaux spécifiques, et vos droits peuvent varier d'un État à l'autre.



## **ADVERTENCIA**

### **PARA REDUCIR EL RIESGO DE QUEMADURAS, INCENDIOS, DESCARGAS ELÉCTRICAS O LESIONES PERSONALES:**

- Utilice esta bicicleta estática para el fin previsto que se describe en este manual. No utilice accesorios que no estén recomendados por el fabricante.
- No utilice nunca la bicicleta estática si no funciona correctamente o si ha sufrido algún daño. Póngase en contacto con el servicio de asistencia técnica o los distribuidores autorizados para que la examinen y la reparen.
- No utilice la bicicleta estática sin un calzado adecuado. NUNCA utilice la bicicleta estática descalzo.
- No lleve ninguna prenda de ropa que pueda engancharse en las piezas móviles de esta bicicleta estática.
- Mantenga las manos y los pies alejados en todo momento de las piezas móviles para evitar lesiones. No gire nunca las bielas de los pedales con las manos.
- No desmonte la bicicleta estática hasta que los pedales no estén completamente parados.
- No introduzca ningún objeto, las manos ni los pies en ninguna abertura, ni acerque las manos, los brazos ni los pies al mecanismo de accionamiento ni a otro elemento que pueda moverse de la bicicleta estática.
- No utilice un equipo que esté dañado o tenga piezas desgastadas o rotas. Utilice solo piezas de repuesto suministradas por el servicio de asistencia técnica o los distribuidores autorizados.
- No utilice el equipo en lugares en los que se emplean aerosoles (pulverizadores) o si se está administrando oxígeno.
- Es necesaria una atenta vigilancia cuando el equipo se utiliza cerca de niños.
- Este equipo no está diseñado para que lo utilicen personas con capacidades físicas, sensoriales o mentales reducidas, ni personas con falta de experiencia y conocimientos, a menos que reciban vigilancia o instrucciones relativas al uso del equipo por parte de una persona responsable de su seguridad.
- Compruebe que las palancas de ajuste (para el ajuste horizontal del manillar y el asiento) están bien protegidas y que no interfieren en el movimiento durante el ejercicio.
- El ejercicio excesivo o inadecuado puede producir lesiones graves o la muerte. Si nota algún tipo de dolor, como, por ejemplo, dolores en el pecho, náuseas, mareos o dificultades para respirar, pare de hacer ejercicio de inmediato y consulte a su médico antes de continuar.
- No salte sobre el equipo.
- En ningún momento debe haber más de una persona en el equipo en marcha.
- Este equipo no debe ser utilizado por personas que pesen más de lo especificado en el APARTADO DE ESPECIFICACIONES DEL PRODUCTO. El incumplimiento de estas indicaciones dará lugar a la anulación de la garantía.
- No utilice accesorios que no estén recomendados por el fabricante. Los accesorios pueden causar lesiones.
- Para limpiarla, pase únicamente un paño ligeramente húmedo y con jabón por las superficies. Nunca utilice disolventes. (Consulte MANTENIMIENTO)
- Las mascotas y los niños menores de 14 años no deben estar BAJO NINGUNA CIRCUNSTANCIA a menos de 3 metros de la unidad.
- Los niños menores de 14 años no deben utilizar la unidad BAJO NINGUNA CIRCUNSTANCIA.
- Los niños mayores de 14 años no deben utilizar la unidad sin la supervisión de un adulto.
- Los sistemas de control de la frecuencia cardíaca pueden ser imprecisos.
- Después de hacer ejercicio, pulse la palanca de freno para reducir la velocidad del volante de inercia y disminuir las posibilidades de sufrir lesiones.
- El volante de inercia de la bicicleta estática no tiene un movimiento independiente, de modo que los pedales seguirán moviéndose junto con el volante de inercia hasta que este se detenga.
- Utilice el equipo fijo de entrenamiento en un lugar con supervisión.

## **GUARDE ESTAS INSTRUCCIONES**

Lea el MANUAL DE INSTRUCCIONES antes de utilizar la unidad. A la hora de utilizar un producto eléctrico, siempre se deben adoptar precauciones básicas, entre ellas, las siguientes: Lea todas las instrucciones antes de utilizar este equipo. El propietario es responsable de garantizar que todos los usuarios de este equipo estén informados de manera adecuada sobre todas las advertencias y precauciones. Si tiene alguna pregunta después de leer este manual, póngase en contacto con el servicio de asistencia técnica.

Este equipo ha sido concebido para un uso exclusivamente doméstico. No utilice este equipo en ningún establecimiento comercial, escolar, institucional ni de alquiler. El incumplimiento de estas indicaciones dará lugar a la anulación de la garantía.

## **PELIGRO**

### **PARA REDUCIR EL RIESGO DE DESCARGA ELÉCTRICA:**

No use ningún producto si parece dañado o se ha sumergido en agua. Contacte con el servicio de asistencia técnica para sustituciones o reparaciones.

Es fundamental que este equipo solo se utilice en espacios interiores, en salas con control de la temperatura. Si el equipo se ha visto expuesto a temperaturas más bajas o climas muy húmedos, se recomienda encarecidamente que se ajuste el equipo a la temperatura de la habitación antes de utilizarlo por primera vez. Si no se procede de este modo, podrían producirse fallos electrónicos prematuros.





# MONTAJE

## DESEMBALAJE

Desembale el equipo en el lugar donde vaya a utilizarlo. Coloque la caja en una superficie plana y nivelada. Se recomienda que coloque una cubierta protectora en el suelo. Nunca abra la caja de lado.

## NOTAS IMPORTANTES

Durante todos los pasos del montaje, asegúrese de que TODAS las tuercas y los pernos se encuentren en su sitio y estén parcialmente enroscados.

Hay varias piezas que se han sometido a una lubricación previa para facilitar el montaje y el uso del equipo. No limpie dicha lubricación. Si tiene dificultades en el montaje, se recomienda una ligera aplicación de grasa de litio.

## ADVERTENCIA

Durante el proceso de montaje, hay varias zonas a las que se debe prestar especial atención. Es muy importante seguir las instrucciones de montaje correctamente y asegurarse de apretar bien todas las piezas. Si no se siguen las instrucciones de montaje correctamente, podrían quedar piezas sin apretar en el equipo, que parecerá que están sueltas y pueden causar ruidos irritantes. Para evitar daños en el equipo, deben revisarse las instrucciones de montaje y deben tomarse medidas correctivas.

## HERRAMIENTAS NECESARIAS:

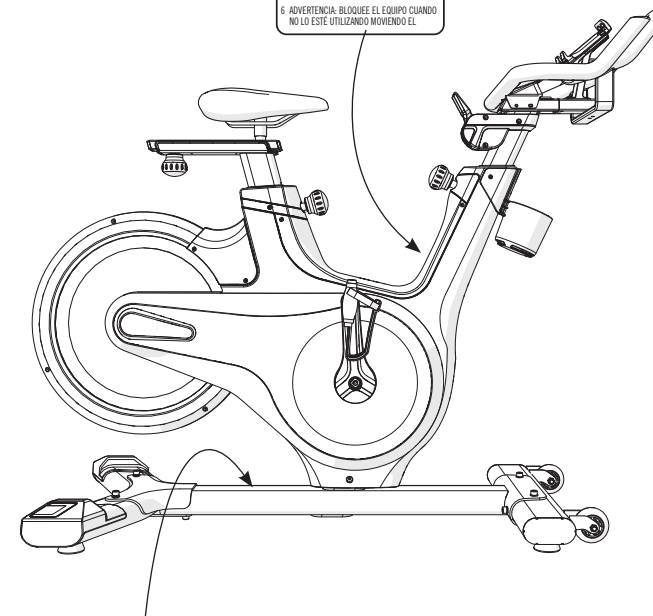
- Llave Allen de 2,5 mm
- Destornillador o llave Allen de 5 mm
- Llave Allen de 6 mm
- Llave plana (17 mm)

## PIEZAS INCLUIDAS:

- 1 bastidor principal
- 1 tubo estabilizador delantero
- 1 tubo estabilizador trasero
- 1 conjunto de manillar
- 1 sillín
- 2 pedales
- 2 niveladores
- 1 paquete de piezas de tornillería

### ⚠ PRECAUCIÓN

- 1 LOS PEDALES GIRATORIOS PUEDEN CAUSAR LESIONES. ESTA BICICLETA DE EJERCICIO NO DISPONE DE PIVOT LIBRE, POR LO QUE EL MOVIMIENTO DE LOS PEDALES ESTA DIRECTAMENTE RELACIONADO CON EL MOVIMIENTO DEL VOLANTE DE INERCIA. UTILICE EL FRENO PARA DETENER EL MOVIMIENTO DE LOS PEDALES Y EL VOLANTE DE INERCIA.
- 2 APLIQUE LA RESISTENCIA DE FRENADO MÁXIMA A LA BICICLETA CUANDO NO ESTE EN USO A FIN DE EVITAR LESIONES PRODUCIDAS POR EL MOVIMIENTO DEL CONJUNTO DE LA MANIVELA Y EL VOLANTE DE INERCIA.
- 3 MANTENGA EL EQUIPO DE EJERCICIO FUERA DEL ALCANCE DE LOS NIÑOS MENORES DE 14 AÑOS.
- 4 ANTES DE UTILIZAR ESTE EQUIPO, ES NECESARIO LEER TODAS LAS ADVERTENCIAS E INSTRUCCIONES Y RECIBIR LA FORMACIÓN ADECUADA. UTILICE ESTE EQUIPO PARA EL FIN PREVISTO. CONSULTE A UN MEDICO ANTES DE UTILIZAR ESTE EQUIPO.
- 5 CONFIGURE Y UTILICE LA BICICLETA ESTÁTICA DE EJERCICIO EN UNA SUPERFICIE NIVELADA SÓLIDA. ES NECESARIO TOMAR PRECAUCIONES A LA HORA DE MONTAR Y DESMONTAR LA BICICLETA ESTÁTICA DE EJERCICIO. ANTES DE DESMONTARLA, DETENGA POR COMPLETO LOS PEDALES.
- 6 ADVERTENCIA: BLOQUEE EL EQUIPO CUANDO NO LO ESTE UTILIZANDO MOVIENDO EL



## NÚMERO DE SERIE

## MODELO: ICR50 MATRIX INDOOR CYCLE

\* Indique la anterior información cuando llame al servicio de asistencia técnica.



**PALANCA DE CONTROL DE TENSIÓN Y FRENO DE EMERGENCIA**

**PERILLA DE AJUSTE DE ALTURA DEL MANILLAR**

**SILLÍN**

**PERILLA DE AJUSTE HORIZONTAL DEL SILLÍN**

**PERILLA DE AJUSTE DE ALTURA DEL SILLÍN**

**VOLANTE DE INERCIA**

**BASTIDOR PRINCIPAL**

**TUBO ESTABILIZADOR TRASERO**

**SOPORTE PARA DISPOSITIVOS**

**MANILLAR**

**PORTABOTELLAS**

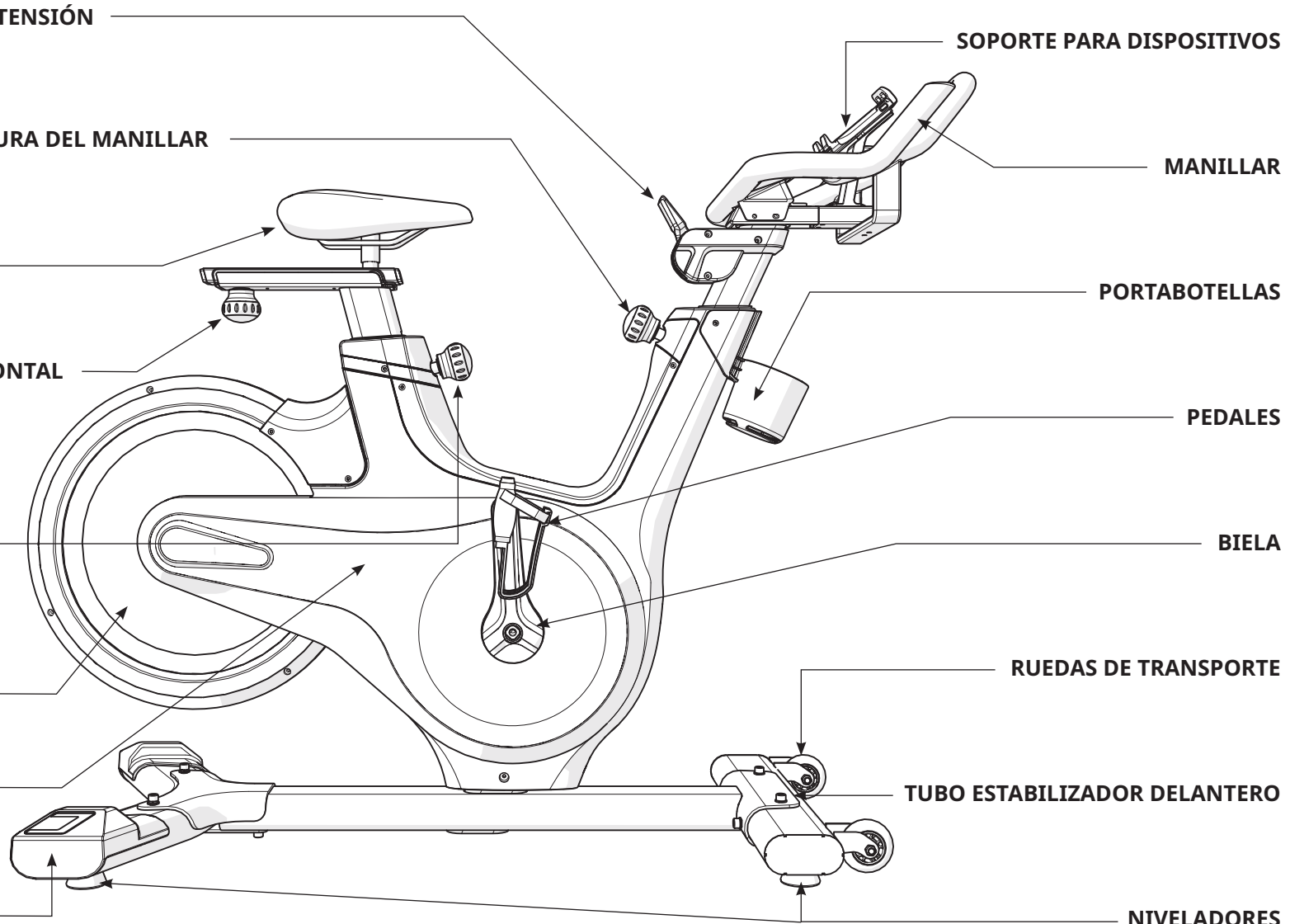
**PEDALES**

**BIELA**

**RUEDAS DE TRANSPORTE**

**TUBO ESTABILIZADOR DELANTERO**

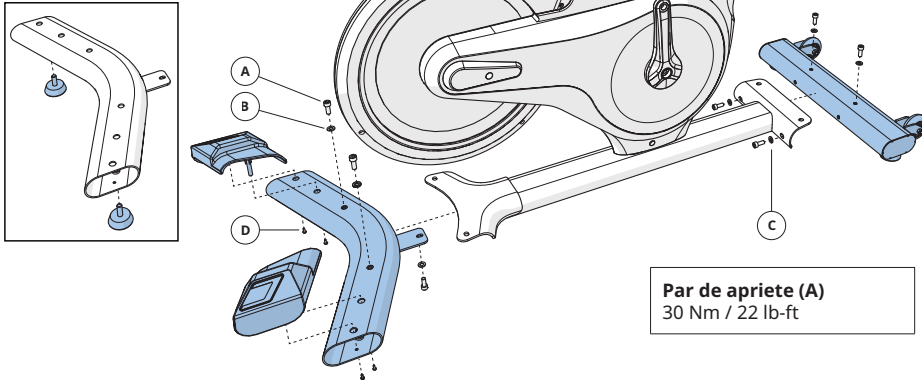
**NIVELADORES**





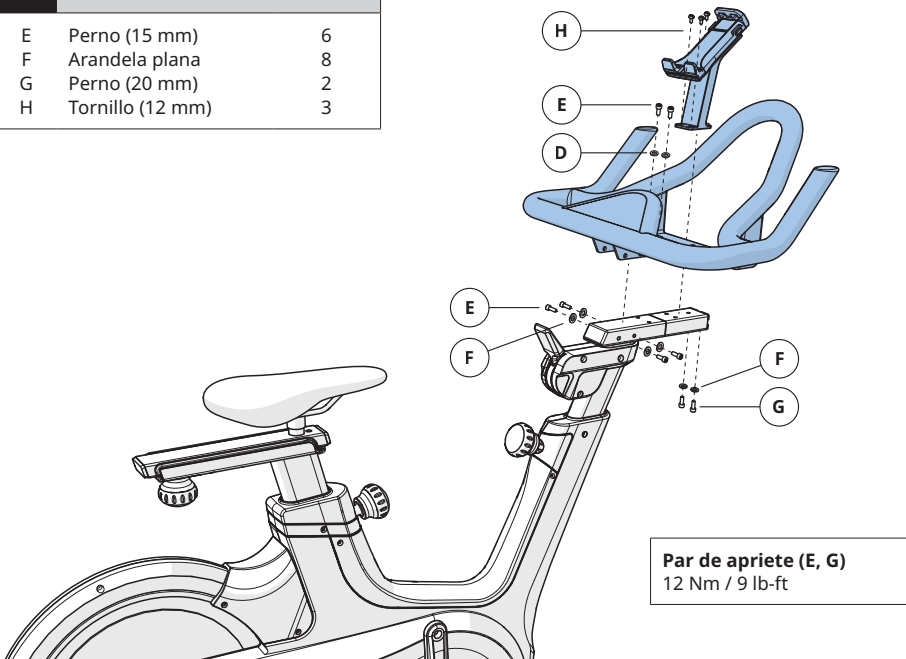
**1** Piezas de tornillería Cantidad

A	Perno (20 mm)	7
B	Arandela plana	5
C	Arandela de arco	2
D	Tornillo (12 mm)	4



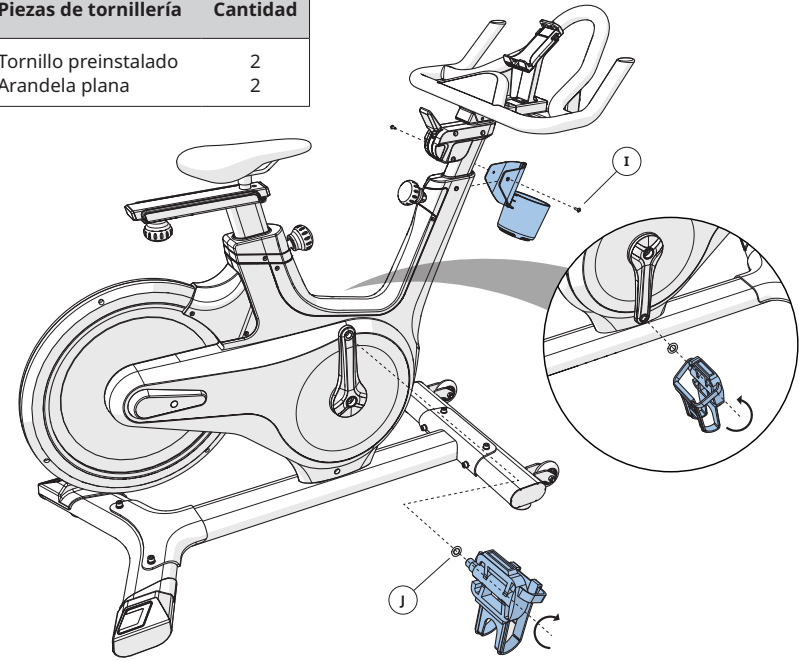
**2** Piezas de tornillería Cantidad

E	Perno (15 mm)	6
F	Arandela plana	8
G	Perno (20 mm)	2
H	Tornillo (12 mm)	3

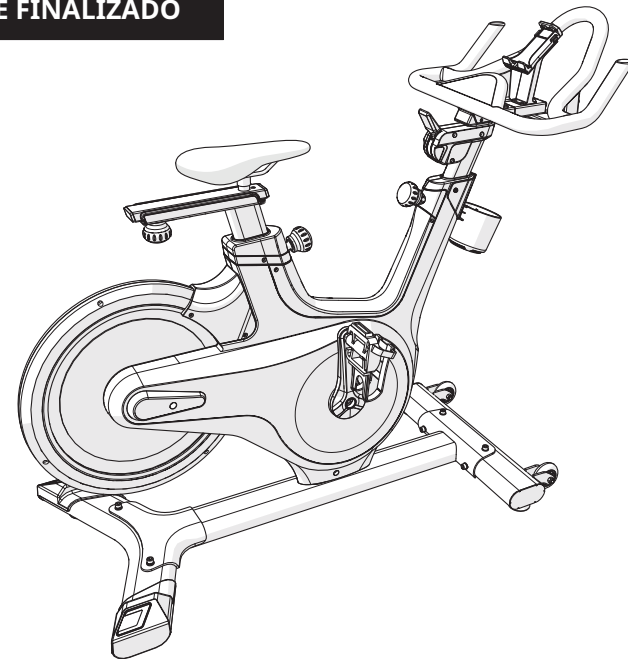


**3** Piezas de tornillería Cantidad

I	Tornillo preinstalado	2
J	Arandela plana	2



**MONTAJE FINALIZADO**



# ANTES DE COMENZAR

## UBICACIÓN DEL EQUIPO

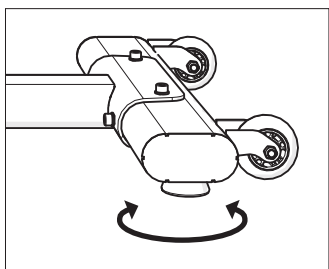
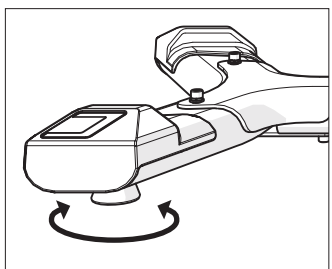
Coloque el equipo sobre una superficie estable y nivelada que no esté expuesta a la luz directa del sol. La luz ultravioleta intensa puede provocar que el plástico se decolore. Coloque el equipo en un lugar con temperaturas frescas y bajos niveles de humedad. Deje una zona libre alrededor de todos los lados del equipo de al menos 60 cm (2 ft). Esta zona debe quedar libre de cualquier obstáculo y permitir al usuario bajarse del aparato. No coloque el equipo en un lugar donde bloquee una rejilla de ventilación o salida de aire. No se debe instalar en un garaje, en un patio cubierto, cerca de agua ni al aire libre.

## DESPLAZAMIENTO DEL EQUIPO

El equipo tiene dos ruedas de transporte integradas en el tubo estabilizador delantero. Para desplazarlo, sujete con firmeza la parte de acero del tubo estabilizador trasero, levante la máquina con cuidado y deslícela a través de las ruedas de transporte. Desconecte la fuente de alimentación antes de tratar de desplazar la bicicleta.

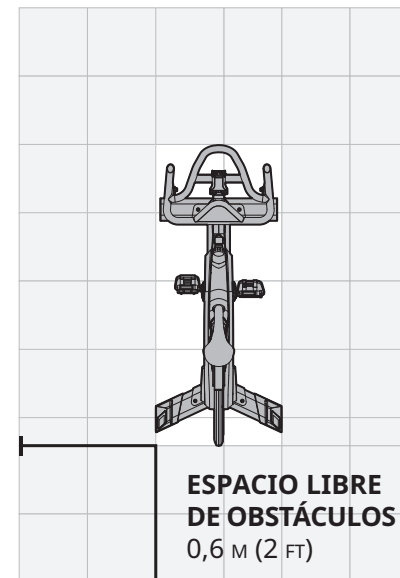
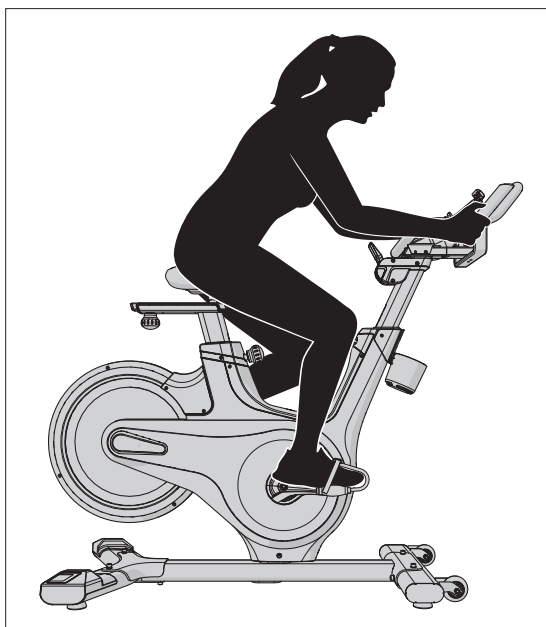
## ADVERTENCIA

Nuestros equipos son pesados, de modo que debe tener cuidado a la hora de moverlos y pedir ayuda si es necesario. Si no sigue estas instrucciones, podría sufrir lesiones.



## NIVELACIÓN DEL EQUIPO

Es de vital importancia que los niveladores estén ajustados de forma correcta para que la máquina funcione adecuadamente. Gire el pie de nivelación hacia la derecha para bajar el equipo y hacia la izquierda para subirlo. Ajuste los dos lados según sea necesario hasta que el equipo esté nivelado. Si el equipo no está equilibrado, pueden producirse problemas, como la desalineación de la correa, entre otros. Se recomienda emplear un nivel.

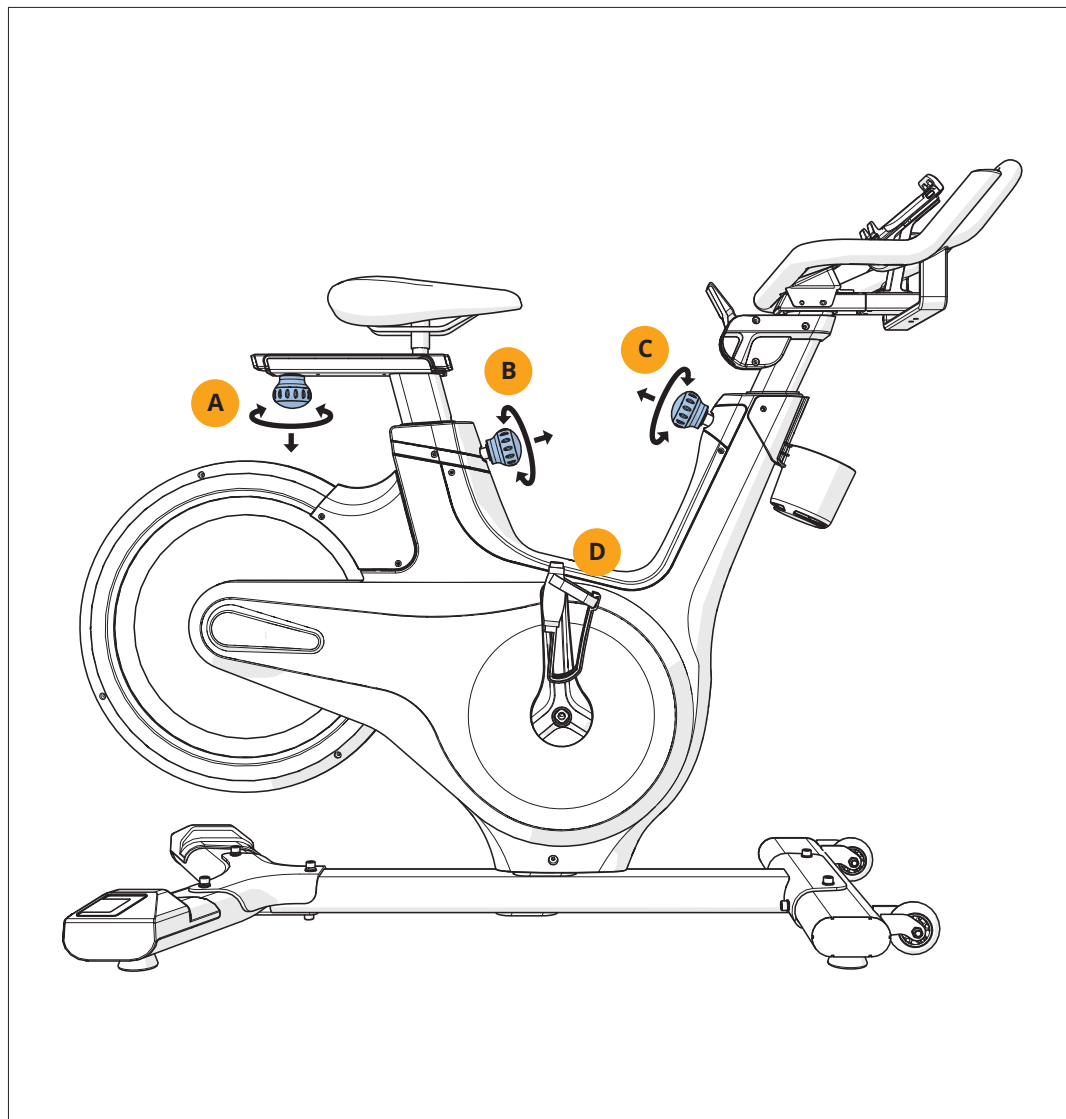


**ESPACIO LIBRE  
DE OBSTÁCULOS**  
0,6 M (2 FT)

## USO CORRECTO

1. Siéntese en la bicicleta mirando hacia el manillar. Ambos pies deben estar en el suelo, uno a cada lado del cuadro.
2. Para determinar la posición adecuada del asiento, siéntese y coloque los dos pies en los pedales. Al llevar el pedal hasta la posición más lejana, la rodilla debería quedar ligeramente flexionada. Debería poder pedalear sin tener que bloquear las rodillas ni cambiar el peso del cuerpo de un lado al otro.
3. Ajuste las correas de los pedales hasta alcanzar la tensión deseada.
4. Para bajarse de la bicicleta, siga los pasos de uso correcto en sentido contrario.





## CÓMO AJUSTAR LA BICICLETA ESTÁTICA

La bicicleta estática puede ajustarse para conseguir una comodidad y eficacia máximas durante el ejercicio. Las siguientes instrucciones describen un método para ajustar la bicicleta estática con el fin de garantizar la máxima comodidad del usuario y una posición corporal ideal, si bien puede ajustar la bicicleta estática de manera diferente.

### AJUSTE DEL SILLÍN

Colocar el sillín a la altura adecuada ayuda a garantizar la máxima eficacia y comodidad durante el ejercicio, a la vez que reduce el riesgo de lesionarse. Ajuste la altura del sillín para asegurarse de que está bien colocado, de tal manera que mantenga una ligera flexión en las rodillas cuando las piernas estén en la posición extendida.

### AJUSTE DEL MANILLAR

La posición del manillar se ajusta basándose principalmente en la comodidad. Por lo general, en el caso de los ciclistas principiantes, el manillar se sitúa un poco más arriba que el sillín. Los ciclistas avanzados podrían probar diferentes alturas para conseguir la posición más adecuada para ellos.

#### A) POSICIÓN HORIZONTAL DEL SILLÍN

Gire la perilla de ajuste hacia la izquierda mientras desliza el sillín hacia delante o hacia atrás, según le convenga. Gire la perilla de ajuste hacia la derecha para bloquear la posición del sillín. Compruebe el deslizamiento del sillín para garantizar un funcionamiento correcto.

#### B) ALTURA DEL SILLÍN

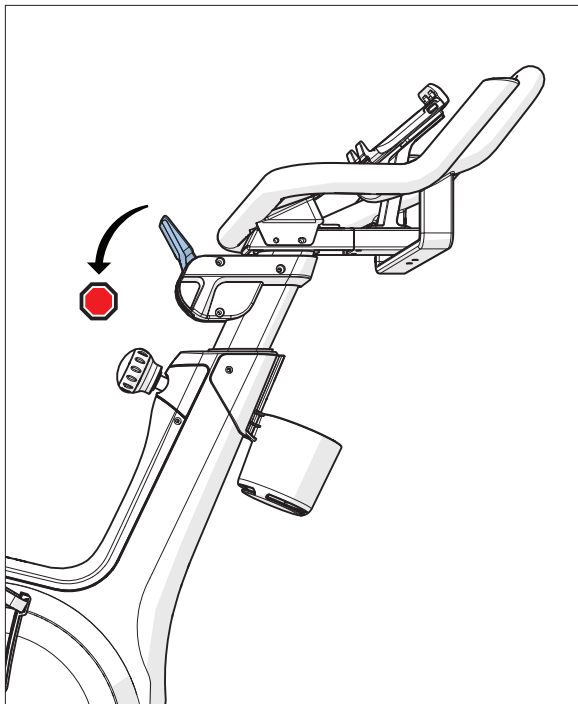
Gire la perilla de ajuste hacia la izquierda mientras desliza el sillín arriba y abajo con la otra mano. Gire la perilla de ajuste hacia la derecha para bloquear la posición del sillín.

#### C) ALTURA DEL MANILLAR

Gire la perilla de ajuste hacia la izquierda mientras sube o baja el manillar con la otra mano. Gire la perilla de ajuste hacia la derecha para bloquear la posición del manillar.

#### D) CORREAS DE LOS PEDALES

Coloque la zona del metatarso del pie en el calapiés hasta que la parte anterior del pie quede centrada sobre el pedal, agáchese y tire de la correa del pedal hacia arriba para apretarla antes de usar el equipo. Para sacar el pie del calapiés, afloje la correa y tire hacia fuera.



## CONTROL DE RESISTENCIA/FRENO DE EMERGENCIA

La palanca de resistencia está situada delante del manillar y ofrece 11 niveles de resistencia de pedaleo. Para aumentar la resistencia, empuje la palanca de control de la tensión hacia el suelo. Para reducir la resistencia, tire de la palanca hacia arriba.

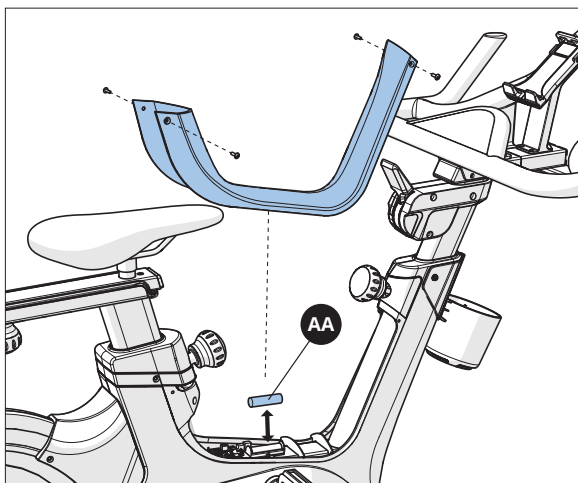
### IMPORTANTE:

- Para detener el volante de inercia mientras pedalea, empuje fuerte la palanca hacia abajo.
- El volante de inercia debería detenerse rápidamente por completo.
- Asegúrese de tener el calzado sujeto en el calapiés o con las correas de los pedales.
- Aplique una carga de resistencia total cuando la bicicleta no esté en uso para evitar lesiones derivadas del movimiento de los componentes del engranaje impulsor.

### ⚠ ADVERTENCIA

El volante de inercia de la bicicleta estática no se mueve por libre, de modo que los pedales seguirán moviéndose junto con el volante de inercia hasta que este se detenga. Es necesario reducir la velocidad de manera controlada. Para detener el volante de inercia de inmediato, presione la palanca amarilla de freno de emergencia. Pedalee siempre de manera controlada y ajuste la cadencia que desee de acuerdo con su capacidad. Empujar la palanca amarilla hacia abajo = parada de emergencia.

La bicicleta estática utiliza un volante de inercia fijo que crea impulso y que mantiene los pedales girando incluso después de que el usuario deje de pedalear o aunque se le resbalen los pies. **NO TRATE DE QUITAR LOS PIES DE LOS PEDALES NI SE BAJE DE LA MÁQUINA HASTA QUE NO SE HAYAN PARADO POR COMPLETO TANTO LOS PEDALES COMO EL VOLANTE DE INERCIA.** El incumplimiento de estas instrucciones puede ocasionar la pérdida de control y causar lesiones graves.



## SUSTITUCIÓN DE LA BATERÍA

Si está utilizando la consola opcional o la aplicación de un tercero y no aparece la información sobre el entrenamiento, es posible que tenga que cambiar la pila (AA).



# RESOLUCIÓN DE PROBLEMAS

## PREGUNTAS HABITUALES SOBRE EL PRODUCTO

### ¿SON NORMALES LOS RUIDOS QUE HACE LA BICICLETA DE ENTRENAMIENTO?

Nuestras bicicletas de entrenamiento son unas de las más silenciosas que hay en el mercado, porque utilizan una correa y una resistencia magnética sin fricción. Empleamos los cojinetes y las correas de mayor calidad para reducir el ruido al mínimo. Sin embargo, como el sistema de resistencia es tan silencioso, podrá oír otros pequeños ruidos mecánicos de vez en cuando. A diferencia de otras tecnologías más antiguas y ruidosas, en nuestras bicicletas de entrenamiento no hay ruidos de ventiladores, correas de fricción ni alternadores que oculten estos sonidos. Estos ruidos mecánicos, que podrían ser intermitentes o no, son normales y están causados por la transferencia de importantes cantidades de energía a un volante de inercia que gira a grandes velocidades. Todos los cojinetes, correas y otras piezas giratorias generarán algo de ruido, que se transmitirá a través de la carcasa y el bastidor. También es normal que estos sonidos cambien ligeramente durante un ejercicio y con el paso del tiempo, debido a la expansión térmica de las piezas.

### ¿POR QUÉ LA BICICLETA DE ENTRENAMIENTO QUE ME ENTREGARON HACE MÁS RUIDO QUE LA DE LA TIENDA?

Todos los productos de entrenamiento parecen más silenciosos en el área de exposición de una tienda grande, porque suele haber más ruido de fondo que en su casa. Además, en un suelo de hormigón enmoquetado, la reverberación será menor que en un suelo con revestimiento de madera. A veces, utilizar una alfombra gruesa de goma ayuda a reducir la reverberación que genera el suelo. Además, si se coloca un producto de entrenamiento cerca de una pared, aumentará el nivel del ruido reflejado.

**PROBLEMA:** La bicicleta de entrenamiento emite crujidos o chirridos.

Realice las siguientes comprobaciones:

- 1) La bicicleta de entrenamiento se encuentra en una superficie nivelada.
- 2) Afloje todos los pernos instalados durante el proceso de montaje, engrase las roscas y vuelva a apretar los pernos.

**PROBLEMA:** La tija del asiento o el manillar se mueve una vez bloqueada la posición.

- Compruebe que la perilla de ajuste esté bien apretada.

**PROBLEMA:** Se escucha un clic con cada revolución de los pedales.

- 1) Compruebe que el herrete de sus cordones no esté golpeando la bicicleta cuando giran los pedales.
- 2) Asegúrese de que las correas de los pedales estén bien ajustadas y de que ninguna parte sobrante en el interior del pedal se esté engancharo en el brazo de biela al girar.
- 3) Compruebe que los pedales estén bien apretados en los brazos de biela.

**PROBLEMA:** Se escucha un clic al girar el volante de inercia.

- 1) Compruebe que no haya nada tocando el volante de inercia.
- 2) Compruebe si los cojinetes del volante de inercia hacen ruido.
- 3) Si dichos cojinetes hacen ruido o son ásperos, solicite al técnico de mantenimiento autorizado que cambie el conjunto del buje del volante de inercia.

**PROBLEMA:** Se escucha un golpeteo o se percibe holgura en los pedales o las bielas.

- 1) Asegúrese de que los pedales estén bien apretados en los brazos de biela.
- 2) Compruebe que los pernos de las bielas estén apretados. En caso de que estén sueltos, aplique blue loctite 242 en las roscas y apriete la biela.
- 3) Si el problema persiste, compruebe que no haya holgura en la parte inferior del soporte.
- 4) Si la parte inferior del soporte está floja, póngase en contacto con un técnico de mantenimiento autorizado para que sustituya los cojinetes del soporte inferior.

**PROBLEMA:** Existe balanceo o movimiento durante el uso.

- 1) Utilice una llave hexagonal para comprobar que los pernos de fijación de los estabilizadores delantero y trasero estén bien apretados.
- 2) Asegúrese de que la bicicleta esté nivelada comprobando el pie de nivelación situado en la parte inferior de los estabilizadores delantero y trasero.



# MANTENIMIENTO

## ¿QUÉ TIPO DE MANTENIMIENTO RUTINARIO SE NECESITA?

Se necesitan un mantenimiento y una limpieza mínimos. Si respeta este plan, conseguirá prolongar la vida útil de la máquina.

Utilizamos cojinetes sellados en nuestras bicicletas, por lo que no se necesita lubricación. La tarea de mantenimiento más importante consiste simplemente en limpiar el sudor de la bicicleta después de usarla.

## ¿CÓMO LIMPIO LA BICICLETA?

Utilice limpiadores de agua y jabón suave únicamente. Nunca use disolventes en las piezas de plástico. Si mantiene la bicicleta y la estancia en la que lo utiliza limpios, los problemas de mantenimiento y las llamadas al servicio de asistencia serán mínimos. Por ello, le recomendamos seguir el siguiente plan de mantenimiento preventivo.

PLAN DE MANTENIMIENTO	
ACCIÓN	FRECUENCIA
Limpié la bicicleta estática con paños suaves, papel absorbente u otro producto aprobado por Matrix (los productos de limpieza no deben contener ni alcohol ni amoníaco). Desinfecte el sillín y el manillar y limpie todos los residuos corporales.	DESPUÉS DE CADA USO
Asegúrese de que la bicicleta estática se encuentra nivelada y no se balancea. Compruebe que todos los pedales estén correctamente apretados en los brazos de biela y que estén bien enroscados; asegúrese de que los tornillos de los pedales estén bien apretados y de que las correas de estos no estén deshilachadas.	ANTES DE CADA USO
Limpié toda la máquina con agua y un jabón suave, o bien con cualquier otro producto aprobado por Matrix (los productos de limpieza no deben contener ni alcohol ni amoníaco). Limpie todas las piezas exteriores, el cuadro de acero, los estabilizadores delantero y trasero, el asiento y el manillar.	SEMANAL
Pruebe el freno de emergencia para asegurarse de que funciona correctamente. Para ello, presione la palanca amarilla del freno de emergencia mientras pedalea. Si funciona correctamente, el volante de inercia debe reducir la velocidad de inmediato hasta detenerse por completo.	BISEMANAL
Compruebe si todos los pernos de montaje y los pedales de la máquina están bien apretados.	MENSUAL

## ¿NECESITA AYUDA?

Si este apartado de resolución de problemas no basta para solucionar el problema, deje de utilizar el equipo.



**Consulte la información de contacto del servicio de asistencia local o en la página siguiente para obtener asistencia.**

Es posible que, cuando llame, le pidan la siguiente información. Tenga estos elementos a mano:

- Nombre del modelo
- Número de serie
- Comprobante de compra (recibo o movimiento de la tarjeta de crédito)

Es posible que se le hagan algunas preguntas habituales en el ámbito de la resolución de problemas, como las siguientes:

- ¿Desde cuándo tiene este problema?
- ¿Este problema se produce siempre que utiliza la máquina? ¿Y con todos los usuarios?
- ¿En caso de que escuche un ruido, ¿viene de la parte delantera o posterior? ¿Qué tipo de ruido es (golpes, ruidos intermitentes, crujidos, chirridos, etc.)?
- ¿Se han realizado las tareas de mantenimiento de la máquina según el plan de MANTENIMIENTO?

Con las respuestas a estas y otras preguntas, los técnicos podrán enviarle las piezas de repuesto adecuadas y el personal necesario para que usted y su bicicleta puedan volver a ponerse en marcha.

En el apartado de asistencia al cliente de nuestro sitio web, podrá encontrar más sugerencias de resolución de problemas.





## SERVICIO DE ASISTENCIA TÉCNICA

**NO DEVUELVA EL PRODUCTO AL COMERCIANTE** si tiene algún problema a la hora de montarlo o si falta alguna pieza.

Para recibir un servicio rápido y atento, póngase en contacto con uno de nuestros técnicos de atención al cliente por teléfono, correo electrónico o a través de nuestro sitio web.

**+34 91 488 55 25**  
**www.matrixfitness.es**  
**info@jht.es**

**Matrix Fitness**  
**Avenida del Sol 8-10**  
**28850 Torrejón de Ardoz, Madrid**

Queremos saber si ha experimentado algún problema y queremos tener la oportunidad de corregirlo para usted.

Nota: Lea el apartado de resolución de problemas antes de ponerse en contacto con el servicio de asistencia técnica. En nuestro sitio web, podrá acceder a información adicional sobre el producto.

## GARANTÍA LIMITADA AL USO DOMÉSTICO

**PESO MÁXIMO: 350 LB (159 KG)**

### ARMAZÓN: 5 AÑOS

Matrix ofrece una garantía del bastidor frente a los defectos de mano de obra y del material durante el período indicado a partir de la fecha de compra original, siempre y cuando el dispositivo siga estando en posesión del propietario original. (Por bastidor se entiende la base metálica soldada de la unidad; no incluye ninguna pieza que se pueda extraer.)

### PIEZAS: 3 AÑOS

Matrix ofrece una garantía de los componentes eléctricos, así como de las piezas originales y terminadas, durante el período indicado a partir de la fecha de compra original, siempre y cuando el dispositivo siga en posesión del propietario original.

### ELEMENTOS CON DESGASTE: 1 AÑO

Matrix ofrece una garantía de los elementos con desgaste (pedales, asiento, correas de los pedales, calapiés y soporte para teléfonos o tabletas) durante el período indicado a partir de la fecha de compra original, siempre y cuando el dispositivo siga en posesión del propietario original.

### MANO DE OBRA: 1 AÑO

Matrix cubrirá todos los costes de mano de obra destinados a la reparación del dispositivo durante el período indicado a partir de la fecha de compra original, siempre y cuando el dispositivo continúe en posesión del propietario original.

# GARANTÍA LIMITADA AL USO DOMÉSTICO

## EXCLUSIONES Y LIMITACIONES

A quién CUBRE la garantía:

- La garantía cubre al propietario original y no es transferible.

Qué CUBRE la garantía:

- Las reparaciones o el recambio de un motor, componente electrónico o pieza defectuosos, lo cual constituirá el único recurso de la garantía.

Qué NO CUBRE la garantía:

- El desgaste normal o los problemas surgidos a raíz de un montaje o mantenimiento inadecuados, o de una instalación de piezas o accesorios no concebidos originalmente para el equipo tal y como se comercializa o no compatibles con él.
- Los daños o fallos debidos a accidentes, el uso indebido del equipo, la corrosión, la decoloración de la pintura o el plástico, negligencias, robos, actividades vandálicas, incendios, inundaciones, vientos, rayos eléctricos, heladas u otros desastres naturales de cualquier tipo, la reducción de la potencia, la fluctuación de la red eléctrica o fallos eléctricos causados por cualquier motivo, condiciones atmosféricas inusuales, impactos, la introducción de objetos extraños en la unidad cubierta por la garantía o la realización de modificaciones no autorizadas o no recomendadas por Matrix.
- Los daños accidentales o consecuentes. Matrix no es responsable de los daños indirectos, especiales o consecuentes, de las pérdidas económicas, de propiedad, de beneficios, de disfrute o de uso, ni de otros daños consecuentes de cualquier naturaleza en relación con la adquisición, el uso, la reparación o el mantenimiento del equipo. Matrix no ofrece compensaciones monetarias ni de otro tipo para sufragar los costes de las reparaciones o las piezas de repuesto, entre otras cosas en concepto de cuotas de inscripción en gimnasios, tiempo de trabajo perdido, visitas de los servicios de diagnóstico, visitas de los servicios de mantenimiento o transporte.
- Los equipos que sean utilizados para fines comerciales o que no sean utilizados por una sola familia o unidad doméstica, a menos que Matrix apruebe su cobertura.
- Los equipos adquiridos o utilizados fuera de Estados Unidos y Canadá.
- La entrega, el montaje, la instalación, la configuración de unidades originales o de repuesto, la mano de obra u otros gastos relacionados con la retirada o la sustitución de la unidad cubierta por la garantía.
- Cualquier intento de reparar este equipo conlleva un riesgo de lesiones. Matrix no es responsable de ningún daño, pérdida o inconveniente derivado de cualquier daño personal sufrido durante o tras una reparación o intento de reparación de su equipo de entrenamiento por parte de alguien que no sea un técnico de mantenimiento autorizado. Todas las reparaciones que intente realizar usted mismo en el equipo de entrenamiento serán realizadas POR SU CUENTA Y RIESGO, y Matrix no asumirá responsabilidad alguna por ningún daño personal o material derivado de dichas reparaciones.
- Si su garantía del fabricante ya ha expirado, pero dispone de una garantía ampliada, consulte su contrato de garantía ampliada a fin de obtener la información de contacto necesaria para solicitar reparaciones o servicios de la garantía ampliada.

## SERVICIO Y DEVOLUCIONES

- Hay disponible servicio a domicilio para aquellos clientes que se encuentran a menos de 240 km del proveedor de servicios autorizado más cercano (el kilometraje a partir de los 240 km de un centro de servicio autorizado será responsabilidad del cliente).
- Todas las devoluciones deben contar con una autorización previa.
- La garantía se limita a la reparación o sustitución por el mismo modelo o uno similar, a discreción del proveedor de servicios o el fabricante.
- Puede solicitarse la devolución de componentes defectuosos al fabricante una vez finalizado el servicio de la garantía mediante una etiqueta de devolución prepagada. Si le han indicado que debe devolver las piezas, pero no ha recibido ninguna etiqueta, póngase en contacto con el servicio de asistencia técnica.
- En algunas ocasiones, podrán suministrarse como repuestos de garantía unidades, piezas y componentes electrónicos de repuesto que el fabricante o sus distribuidores reacondicionaron de tal manera que se encuentran en un estado equivalente al nuevo, lo cual constituirá el cumplimiento de las condiciones de la garantía.
- Esta garantía le otorga derechos jurídicos específicos, los cuales pueden variar entre los distintos estados.



# MATRIX



ICR50

© 2019 Johnson Health Tech  
Rev 1.0 A ENG FRE SPE