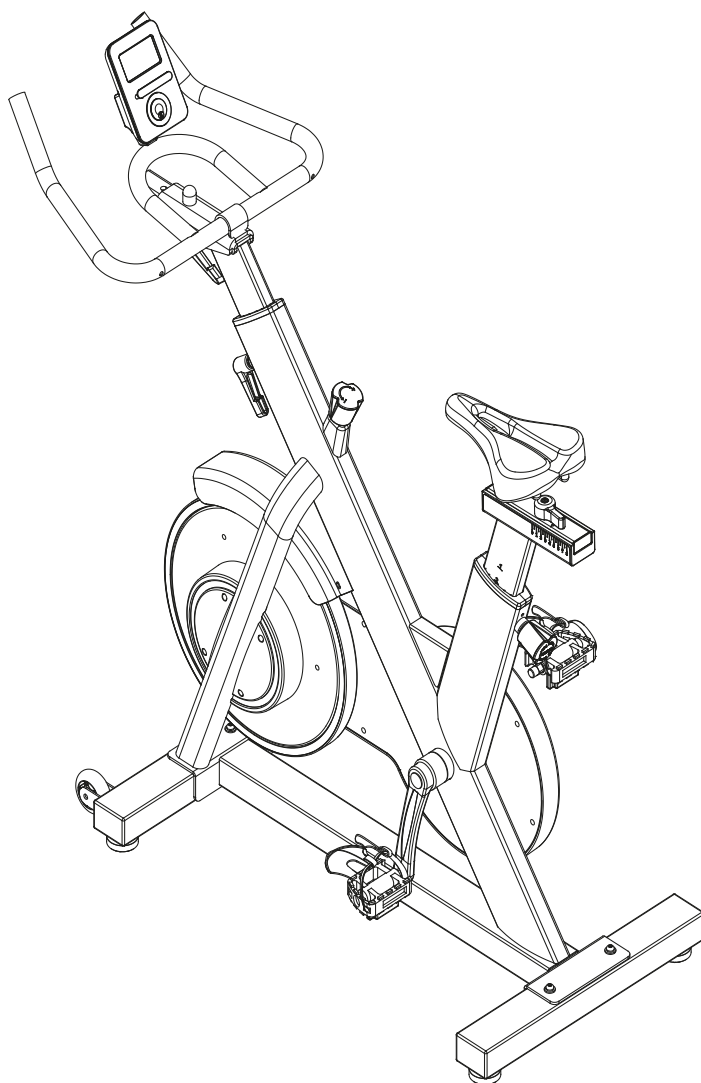


DUKE FITNESS

ASSEMBLY AND OPERATING INSTRUCTIONS



max. 130 kg



~ 30 Min.



40 kg

L 133 | W 51 | H 125

DUSC50.01.04

Art. No. DU-SC50

INDOOR CYCLE SC50



Content

1	GENERAL INFORMATION	7
1.1	Technical Data	7
1.2	Personal Safety	8
1.3	Set-Up Place	9
2	ASSEMBLY	10
2.1	General Instructions	10
2.2	Scope of Delivery	11
2.3	Assembly	13
2.4	Adjustments	18
2.4.1	Adjusting the pedal belt	18
2.4.2	Adjust the resistance	18
2.4.3	Emergency brake function	18
2.4.4	Saddle adjustment	19
2.4.5	Adjusting the handlebar	19
3	OPERATING INSTRUCTIONS	20
3.1	Console Display	20
3.2	Button Functions	21
4	STORAGE AND TRANSPORT	22
4.1	General Instructions	22
4.2	Transportation Wheels	22
5	TROUBLESHOOTING, CARE AND MAINTENANCE	23
5.1	General Instructions	23
5.2	Faults and Fault Diagnosis	23
5.3	Maintenance and Inspection Calendar	24
6	DISPOSAL	24
7	RECOMMENDED ACCESSORIES	25

8	ORDERING SPARE PARTS	26
8.1	Serial Number and Model Name	26
8.2	Parts List	27
8.3	Exploded Drawing	29
9	WARRANTY	31
10	CONTACT	33



Dear customer,

Thank you for choosing a Duke Fitness brand fitness equipment. Duke Fitness offers you fitness equipment that makes it easy to start exercising regularly, stay fit and lose weight. We want to help you to achieve your fitness goals quickly and sustainably and hope that your new fitness equipment will help you to do so. Do not hesitate to contact us if you have any further questions about your training or fitness equipment, or if you would like to add more equipment to your existing fitness equipment. We wish you much of success!

Your Fitness Team from Sport-Tiedje and Duke Fitness

Further information can be found at www.sport-tiedje.com

Intended Use

The equipment may only be used for its intended purpose.

The equipment is only suitable for home use. The equipment is not suitable for semi-professional (e.g. hospitals, associations, hotels, schools, etc.) and commercial or professional use (e.g. fitness studios).

Legal Notice

Sport-Tiedje GmbH
Europe's No. 1 for home fitness

International Headquarters
Flensburger Straße 55
24837 Schleswig
Germany

Management:
Christian Grau
Sebastian Campmann
Dr. Bernhard Schenkel
No. HRB 1000 SL
Local Court Flensburg
European VAT Number: DE813211547

Disclaimer



©2019 Duke® is a registered brand of the company SportTiedje GmbH. All rights reserved. Any use of this trademark without the explicit written permission of Sport-Tiedje is prohibited.

Product and manual are subject to change. Technical data can be changed without advance notice.

ABOUT THIS MANUAL

Please carefully read the entire manual before installation and first use. The manual will help you to quickly set up the system and explains how to safely use it. Make sure that all persons exercising with the equipment (especially children and persons with physical, sensory, mental or motor disabilities) are informed about this manual and its contents in advance. In case of doubt, responsible persons must supervise the use of the equipment.



Due to ongoing changes and software optimisations, the manual may have to be updated. If you notice any discrepancies during assembly or use, please refer to the manual uploaded to the webshop. The latest manual is always available there.

This equipment has been manufactured according to the latest safety knowledge. As far as possible, potential safety hazards which could cause injury have been eliminated. Make sure to carefully follow the instructions and that all parts are securely in place. If required, read through the instructions again to correct any mistakes.

Please pay close attention to the safety and maintenance instructions given here. The contract partner cannot be held liable for damage to health, accidents or damage to the equipment when it is not used in accordance with these instructions.

The following safety instructions may appear in this manual:

► **ATTENTION**

This notice indicates potentially hazardous situations which, if not avoided, may result in property damage.

⚠ **CAUTION**

This notice indicates potentially hazardous situations which, if not avoided, may result in slight or minor injuries!

⚠ **WARNING**

This notice indicates potentially hazardous situations which, if not avoided, may result in death or serious injuries!

⚠ **DANGER**

This notice indicates potentially hazardous situations which, if not avoided, will result in death or serious injuries!

ⓘ **NOTICE**

This notice indicates further useful information.

Retain these instructions in a safe place for future reference, maintenance or when ordering replacement parts.

1.1 Technical Data

LED - Display of

- + Time in min
- + Speed in km/h
- + Distance in m
- + Calories in kcal
- + Pulse

Brake system:

Magnet manual brake system

Flywheel:

7 kg

Weight and dimensions

Article weight (gross, including packaging):

45 kg

Article weight (net, without packaging):

40 kg

Packaging dimensions (L x W x H):

approx. 106 cm x 22.5 cm x 102 cm

Set-up dimensions (L x W x H):

approx. 132.9 cm x 50.6 cm x 124.7 cm

Maximum user weight:

130 kg

1.2 Personal Safety

DANGER

- + Before you start using the equipment, you should consult your physician that this type of exercise is suitable for you from a health perspective. Particularly affected are persons who: have a hereditary disposition to high blood pressure or heart disease, are over the age of 45, smoke, have high cholesterol values, are overweight and/or have not exercised regularly in the past year. If you are under medical treatment that affects your heart rate, medical advice is absolutely essential.
- + Note that excessive training can seriously endanger your health. Please also note that heart rate monitoring systems can be inaccurate. If you notice any signs of weakness, nausea, dizziness, pain, shortness of breath, or other abnormal symptoms, stop exercising immediately and seek advice from your doctor if necessary.

WARNING

- + This equipment may not be used by children under the age of 14.
- + Children should not be allowed unsupervised access to the equipment.
- + Persons with disabilities must have a medical license and must be under strict observation when using the equipment.
- + The equipment is strictly for use by one person at a time.
- + If your equipment provides a safety key, the clip of the safety key must be attached to your clothing before starting your training. In the event of a fall, the EMERGENCY STOP of the equipment can be initiated.
- + Keep your hands, feet and other body parts, hair, clothing, jewellery and other objects well clear of moving parts.
- + During use, wear suitable sports clothing rather than loose or baggy clothing. When wearing sports shoes, make sure they have suitable soles, preferably made of rubber or other non-slip materials. Shoes with heels, leather soles, studs or spikes are unsuitable. Never exercise barefoot.

CAUTION

- + If your equipment needs to be connected to the power supply with a mains cable, make sure that the cable is not a potential tripping hazard.
- + Make sure that nobody is within the range of motion of the equipment during training so as not to endanger you or other persons.

ATTENTION

- + Do not insert any objects of any kind into the openings of the device.

1.3 Set-Up Place

WARNING

- + Do not place the equipment in main corridors or escape routes.

CAUTION

- + Choose a location in which to place the equipment such that there is enough free space/clearance to the front, the rear and to the sides of the equipment. Make sure that you leave at least 30 cm on each side of the equipment and at least 15 cm in front of and behind the equipment as a training zone. This is the minimum required area in order to safely use the equipment. The recommended free zone around the equipment should be at least 60 cm on each side and 45 cm in front of and behind the equipment.
- + The training room should be well ventilated during training and not be exposed to any draughts.
- + Choose the place in which to set up the equipment such that there is enough free space/clearance to the front, the rear and to the sides of the equipment.
- + The set-up and mounting surface of the equipment should be flat, loadable and solid.

ATTENTION

- + The device may only be used in one building, in sufficiently tempered and dry rooms (ambient temperatures between 10°C and 35°C). The equipment should not be used outdoors or in rooms with high humidity (over 70%) like swimming pools.
- + A floor protective mat/equipment underlay can help to protect high-quality floor coverings (parquet, laminate, cork, carpets) from dents and sweat and can help to level out slight unevenness.

2.1 General Instructions



DANGER

- + Do not leave any tools, packaging materials such as foils or small parts lying around, as otherwise there is a danger of suffocation for children. Keep children away from the equipment during assembly.



WARNING

- + Pay attention to the instructions attached to the equipment in order to reduce the risk of injuries.



CAUTION

- + Do not open the packaging when it is lying on its side.
- + Ensure to have sufficient room for movement in each direction during assembly.
- + The assembly of the equipment must be carried out by at least two adults. If in doubt, seek the help of a third technically skilled person.



ATTENTION

- + To prevent damage to the equipment and the floor, assemble the equipment on a mat or packaging board.



NOTICE

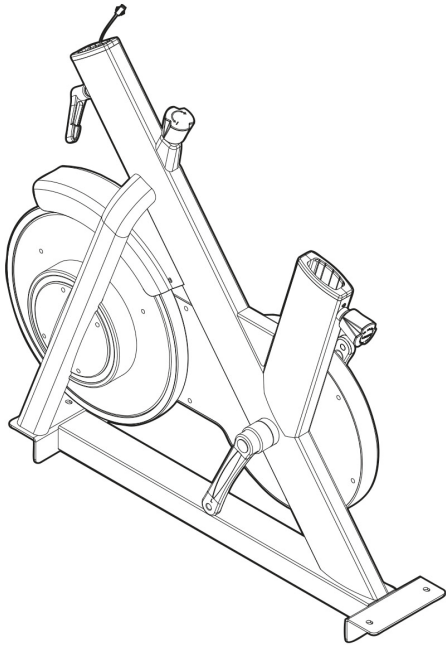
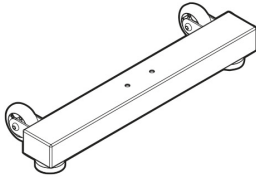

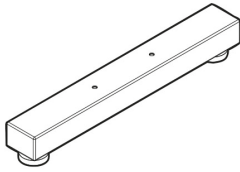
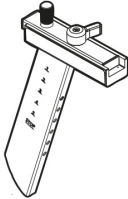
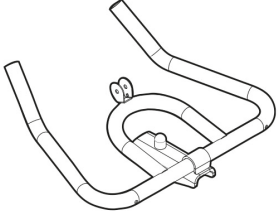
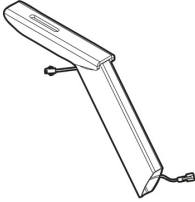


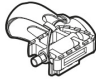
- + In order to make the assembly as simple as possible, some screws and nuts to be used can already be pre-assembled.
- + Ideally, assemble the equipment at its later set-up place.

2.2 Scope of Delivery

The scope of delivery consist of the following parts. At the beginning, check whether all parts and tools belonging to the device are included in the scope of delivery and whether damage has occurred. In the event of complaints, the contractual partner must be contacted directly.

CAUTION

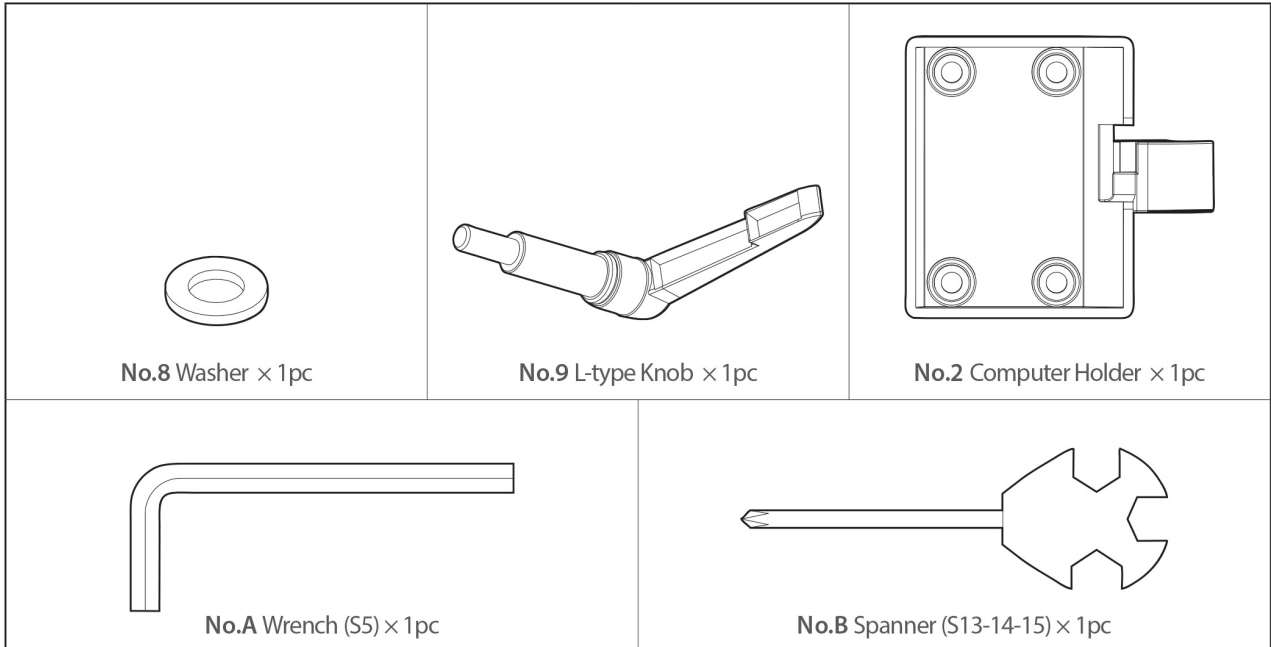
If parts of the scope of delivery are missing or damaged, the assembly must not be carried out.

 <p>No.38 Main Frame × 1pc</p>	 <p>No.45 Front Stabilizer × 1pc</p>	 <p>No.21 Saddle × 1pc</p>
	 <p>No.48 Rear Stabilizer × 1pc</p>	 <p>No.30 Horizontal Saddle Tube × 1pc No.35 Saddle Tube × 1pc</p>
 <p>No.17 Handlebar × 1pc</p>	 <p>No.18 Handlebar Tube Join × 1pc</p>	 <p>No.1 Computer × 1pc</p>
 <p>No.36L Pedal (Left Side) × 1pc</p>	 <p>No.36R Pedal (Right Side) × 1pc</p>	

Hardware

① NOTICE

Except for the washer no. 8 and the L-type knob no. 8, which are used for the assembly step 3, all bolts, washers and nuts are to be loosened and removed before proceeding with the assembly.



2.3 Assembly

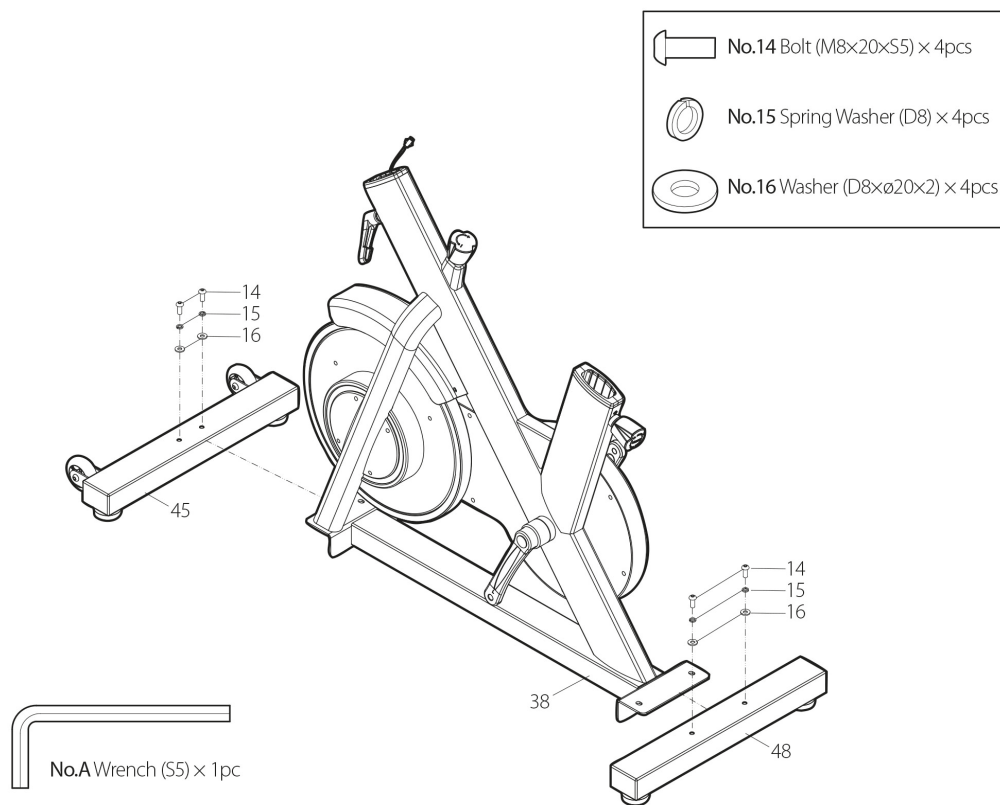
Before assembly, take a close look at the individual assembly steps shown and carry out the assembly in the order given.

NOTICE

First loosely screw all parts together and check that they fit properly. Tighten the screws using the tool only when you are instructed to do so.

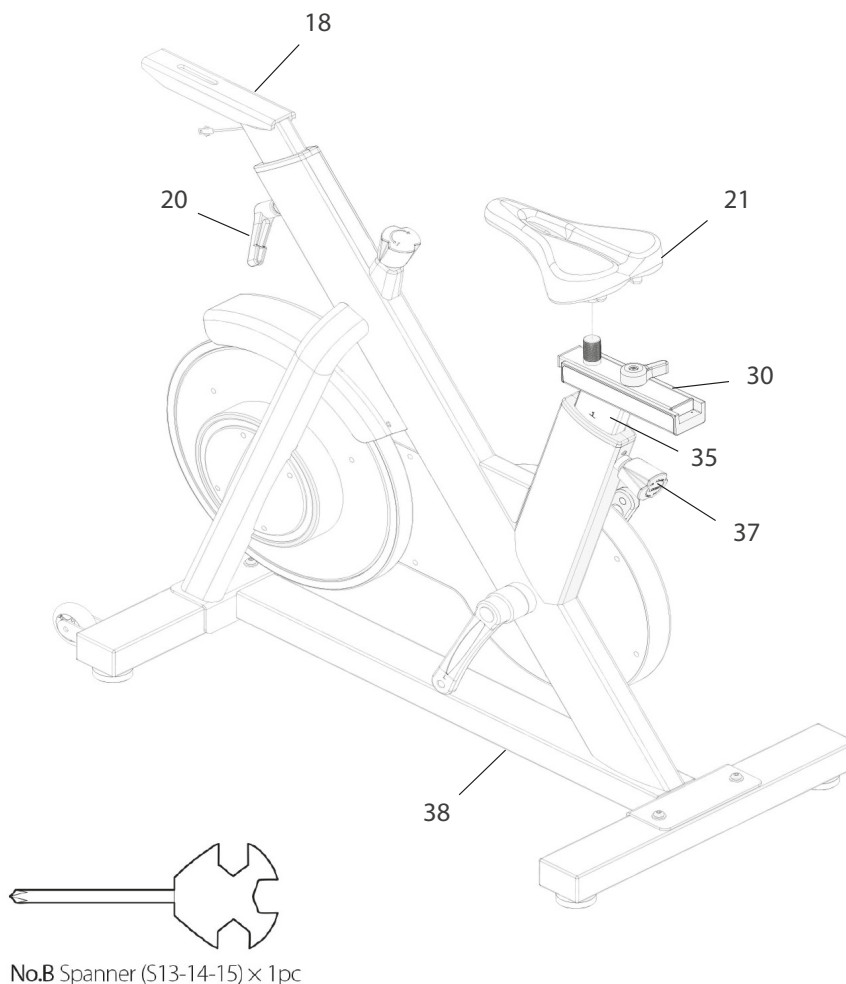
Step 1: Assembly of the Rear and Front Stabilizer

1. First, remove the bolts (14), spring washers (15) and washers (16) from the front stabilizer (45) and rear stabilizer (48) with the wrench (A).
2. Mount the front stabilizer (45) onto the main frame (38) with two bolts (14), two spring washers (15) and two washers (16) with the wrench (A).
3. Mount the rear stabilizer (48) onto the main frame (38) with two bolts (14), two spring washers (15) and two washers (16) with the wrench (A).



Step 2: Assembly of the Saddle Tube and Saddle

1. Slightly pull out the knob (37) on the main frame (38). Slightly loosen the knob (37) on the main frame (38) and then pull it out a little.
2. Insert the saddle tube (35) into the main frame (38).
3. Place the saddle tube (35) at the desired height and secure the position by turning the knob (37) until it engages in the corresponding adjustment hole.
4. Mount the saddle (21) onto the horizontal saddle tube (30) with the spanner (B).
5. Loosen the L-type handle (20) on the main frame (38) and pull it out a little.
6. Place the handlebar tube join (18) at the desired height and fix the position by tightening the L-type handle (20) again.



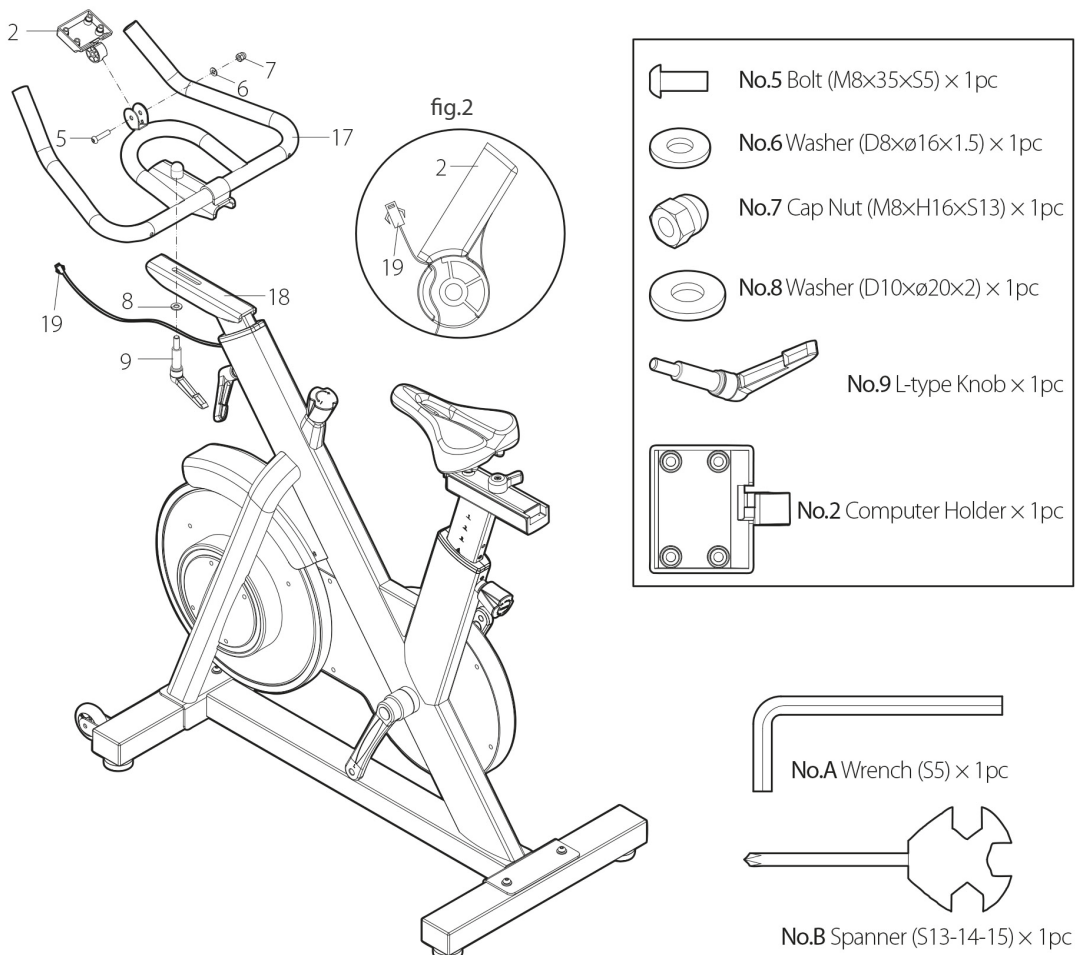
Step 3: Assembly of the Handlebar and Computer Holder

1. Mount the handlebar (17) onto the handlebar tube join (18) with the L-type knob (9) and a washer (8).
2. Loosen and remove the preassembled bolt (5), washer (6) and nut (7) on the handlebar (17).
3. Slide the trunk wire (19) through the computer holder (2) (fig. 2).

► **ATTENTION**

Make sure not to pinch the cable during the following step.

4. Mount the computer holder (2) onto the handlebar (17) with one bolt (5), one washer (6) and one nut (7).



Step 4: Assembly of the Console and the Pedals

1. Loosen and remove the bolts (3) on the console (1) with the spanner (B).
2. Connect the trunk wire (19) with its respective counterpart on the console (1a) (fig. 3).

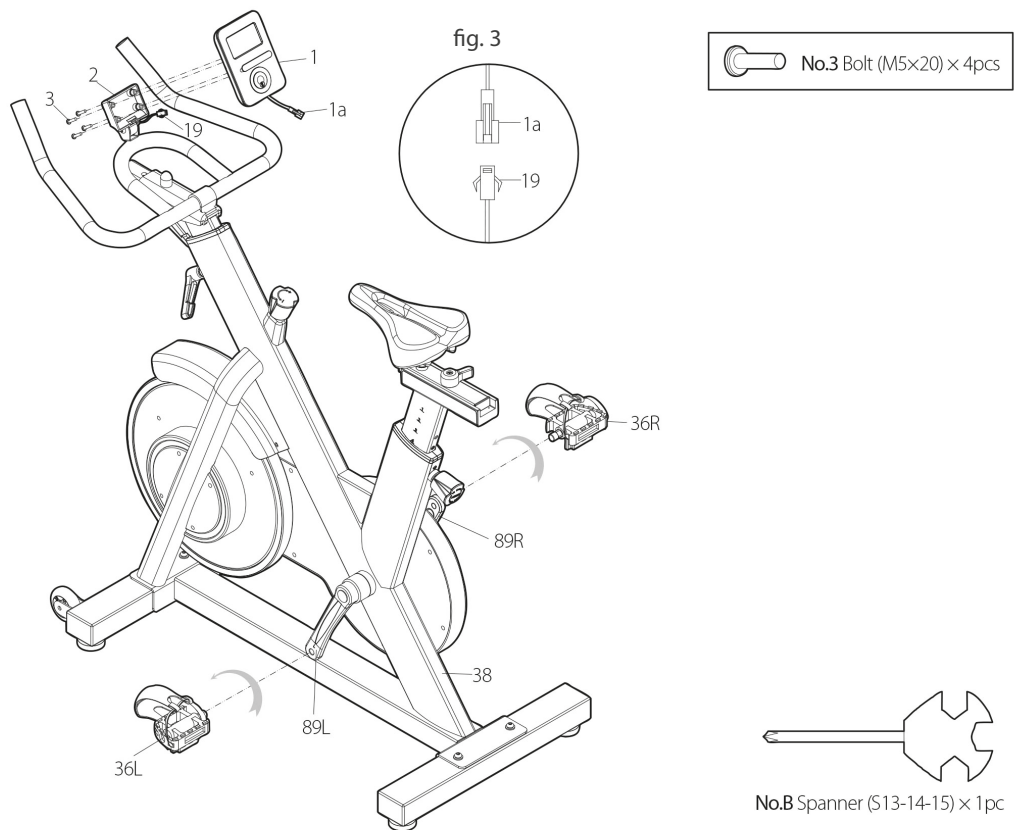
► **ATTENTION**

Make sure not to pinch the cables during the following steps.

3. Mount the console (1) onto the console holder (2) with four bolts (3) by using the spanner (B).
4. Mount the right pedal (36R) onto the right crank (89R) clockwise by using the spanner (B).
5. Mount the left pedal (36L) onto the left crank (89L) counterclockwise by using the spanner (B).

⚠ **CAUTION**

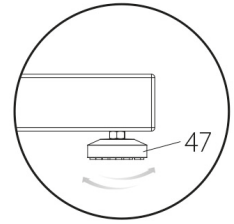
Make sure to screw on the pedals completely.



Step 5: Alignment of the Feet

If the floor is uneven, you can stabilize the equipment by rotating the foot pads (47) under the stabilizers (45 & 48).

1. Lift the indoor cycle on the desired side and rotate the foot pad (47).
2. Rotate the foot pads (47) clockwise to remove it and raise the equipment.
3. Rotate the foot pads (47) counterclockwise to lower the equipment.



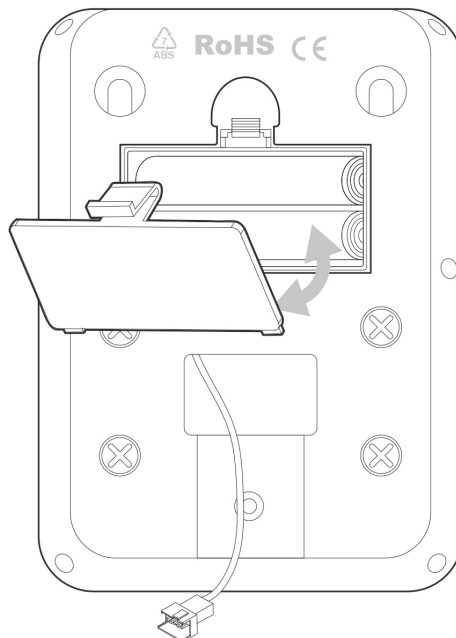
Step 6: Insertion of the Batteries

The console is powered by two AAA 1.5V batteries. In case the console is not working properly, the batteries might be running low. Follow the instructions to exchange the batteries.

NOTICE

Pay attention to the correct polarity (+ and -) in the following step.

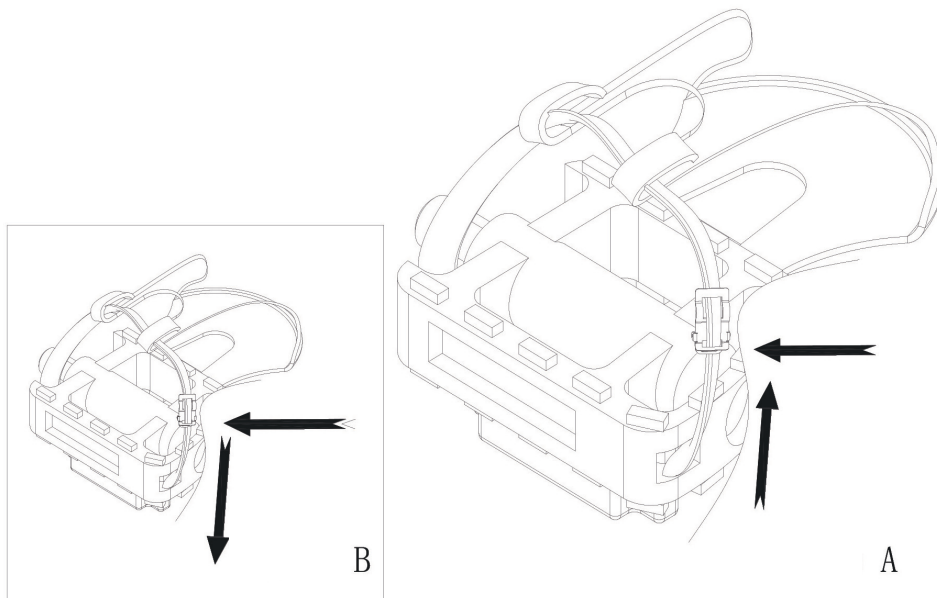
1. Remove the battery cover from the console and insert the two supplied AAA 1.5V-batteries.
2. Close the battery compartment again.



2.4 Adjustments

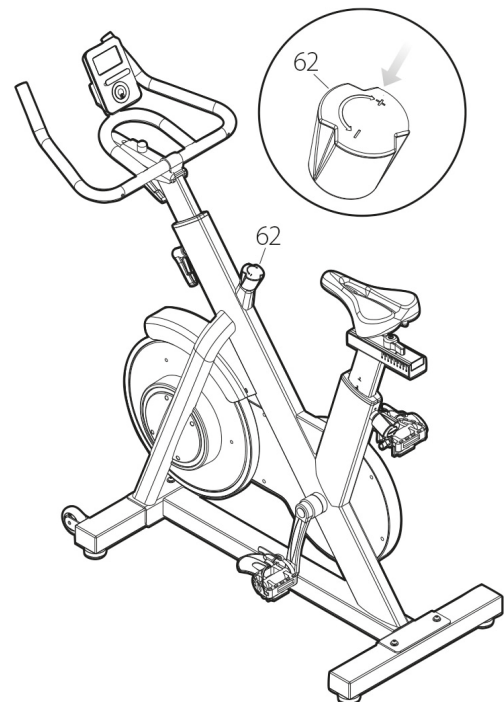
2.4.1 Adjusting the pedal belt

- + If the pedal strap is too tight, push the buckle and pull the strap upwards to loosen it. (Fig. A).
- + If the pedal strap is too loose, push the buckle and pull the strap down to pull it tighter (Fig. B).



2.4.2 Adjust the resistance

- + To increase the resistance, turn the stationary knob (62) ("+") clockwise (A).
- + To decrease the resistance, turn the stationary knob (62) ("-") counterclockwise (B).



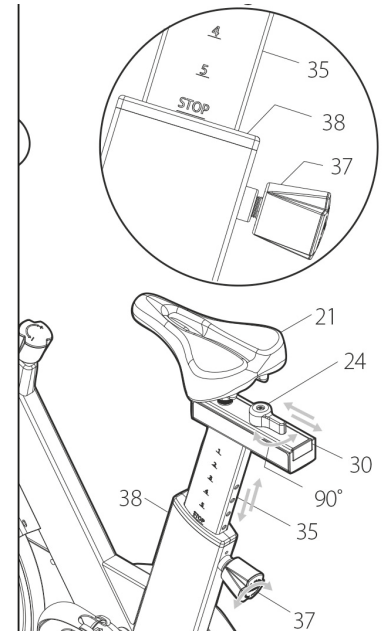
2.4.3 Emergency brake function

- + The stationary knob (62) is also an emergency brake. Use this safety function in any situation where you need to get off the bike or stop the indoor cycle flywheel. During exercise, press the stationary knob (62) firmly to stop the indoor cycle immediately.

2.4.4 Saddle adjustment

The seat of this indoor cycle can be adjusted horizontally and vertically.

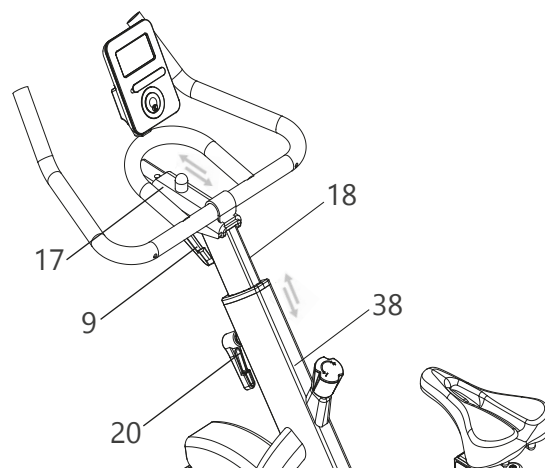
- + To adjust the saddle (21) vertically, release and pull out the knob (37) on the main frame (35) and lift or lower the saddle to the desired height. After positioning, reinsert the knob (37) and tighten it again (fig. 4).
- + To adjust the saddle (21) horizontally, rotate the handle of the horizontal saddle tube (24) by 90 degrees and slide the horizontal saddle tube (30) into the desired position. After positioning, rotate and tighten the handle of the horizontal saddle tube (24).



2.4.5 Adjusting the handlebar

The handlebar of this indoor cycle can be adjusted horizontally and vertically.

- + To adjust the handlebar (17) vertically, loosen the L-type handle (20) on the main frame (38) and slide the handlebar tube join (18) up or down to the desired height. After positioning, tighten the L-type handle (20).
- + To adjust the handlebar (17) horizontally, loosen the L-type knob (9) on the handlebar (17) and slide the lenker (17) to the desired position. After positioning, tighten the L-type knob (9).




NOTICE

Familiarise yourself with all the functions and setting options of the device before starting training. Have the proper use of this product explained to you by a specialist.

3.1 Console Display



TIME	<ul style="list-style-type: none"> + Display of the training time + Display range 0:00 – 99:59 minutes
SPEED	<ul style="list-style-type: none"> + Display of the current speed + Display range 0.0 – 99.9 km/h + Display of the current RPM rate + Display range 0.0 - 1500 RPM
DISTANCE	<ul style="list-style-type: none"> + Display of the covered distance + Display range 0 – 99.9 km

CALORIES/ TEMPERATURE	<ul style="list-style-type: none"> + Display of calories + Display range 0 – 999 kcal + Display of the current room temperature
PULSE	<p> WARNING Your training equipment is not a medical device. The heart rate measurement of this equipment may be inaccurate. Various factors can affect the accuracy of the heart rate measurement. The heart rate measurement serves only as a training aid.</p> <ul style="list-style-type: none"> + Display of total beats + Display range 4 – 240 beats/min
BATTERY	<ul style="list-style-type: none"> + Batteries must be replaced when necessary. Use two AAA batteries.

3.2 Button Functions

MODE	<ul style="list-style-type: none"> + Press this button to select functions. + Press and hold this button for 3 seconds to reset the values for TIME - DISTANCE - CALORIES.
-------------	--

NOTICE

Should the console not registrate a signal for some time, it will automatically switch to energy save mode. To end the energy save mode, press the mode button or start pedaling.

4.1 General Instructions

▶ ATTENTION

- + Make sure that the equipment is protected from moisture, dust and dirt in the selected storage location. The storage location should be dry and well ventilated and have a constant ambient temperature between 5°C and 45°C.

⚠ WARNING

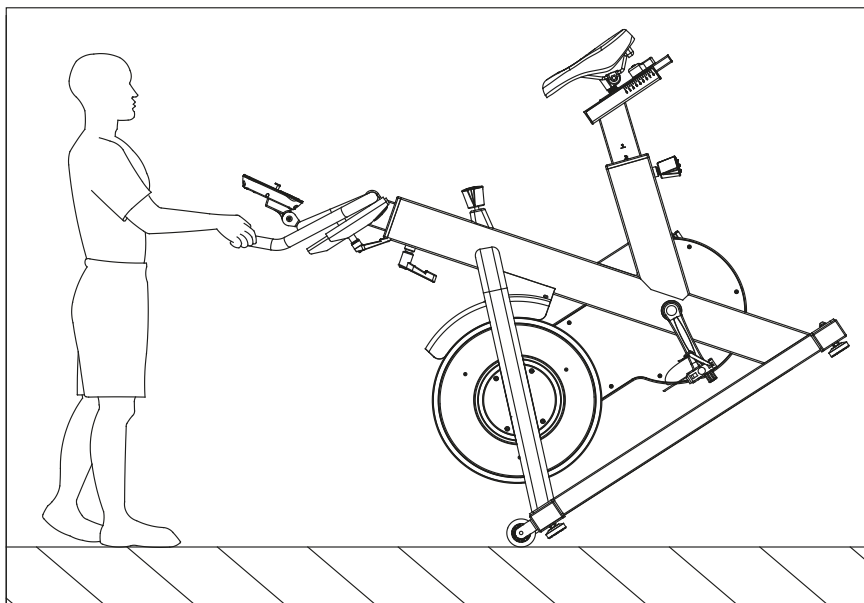
- + The storage location should be chosen so that improper use by third parties or children can be prevented.
- + If your equipment does not have transportation wheels, the equipment must be disassembled before transportation.

4.2 Transportation Wheels

▶ ATTENTION

If you want to transport your equipment over particularly sensitive and soft floor coverings, such as parquet, planks or laminate, lay out the transport route with cardboard or similar to avoid possible floor damage.

1. Stand in front of the equipment and lift it until the weight is transferred to the transportation wheels. After that, you easily can move the equipment to a new position. For long transport distances the equipment should be disassembled and safely packed.
2. Select the new location by following the instructions in the section 1.3 of this manual.



5.1 General Instructions



WARNING

- + Do not make any improper changes to the equipment.



CAUTION

- + Damaged or worn components may affect your safety and the life of the equipment. Therefore, immediately replace damaged or worn components. In such a case, contact the contract partner. The equipment must not be used until it has been repaired. If necessary, use only original spare parts.

► ATTENTION

- + In addition to the instructions and recommendations for maintenance and care given here, additional service and/or repair work may be necessary; this must only be carried out by authorised service technicians.

5.2 Faults and Fault Diagnosis

The equipment undergoes regular quality controls during production. Nevertheless, faults or malfunctions may occur. Frequently, individual parts are responsible for these disturbances, an exchange is usually sufficient. Please refer to the following overview for the most common errors and how to correct them. If the equipment still does not function properly, contact your contract partner.

Squeaking or cracking noise	Loose or too tight screw connections	Check screw connections or lubricate
Cracking in the pedals	Loose pedals	Tighten pedals
Machine is wobbling	Machine is not levelled	Align feet
Handlebar/saddle is wobbling	Loose screws	Tighten screws
Display does not work	battery empty or loose cable connection	Replace batteries or check cable connections / power supply unit
No pulse display	<ul style="list-style-type: none"> + Sources of interference in the room + Unsuitable chest strap + Position of the chest strap incorrect + Batteries empty 	<ul style="list-style-type: none"> + Remove sources of interference (e. g. mobile phone, speakers, WLAN, mover- and cleaning robot, etc.) + Use suitable chest strap (see recommended accessories) + Reposition chest strap and/or moisten electrodes + Change batteries

5.3 Maintenance and Inspection Calendar

To avoid damage from body sweat, the equipment must be cleaned with a damp towel (no solvents!) after each training session.

The following routine tasks must be performed at the specified intervals:

Part	Weekly	Monthly
Display console	C	I
Plastic covers	C	I
Screws and cable connections		I
Check firmness of the pedals, tighten if needed		I
Legend: C = clean; I = inspect		

6 DISPOSAL

At the end of its operational life, this equipment cannot be disposed of in normal household waste. Instead, it must be disposed of via an electricals recycling centre. Further information can be obtained from your local authority's recycling service.



The materials can be recycled as per their symbols. Through the reuse, recycling of materials or other forms of recovery of old equipment, you make an important contribution to the protection of the environment.

To make your training experience even more efficient and pleasant, we recommend that you add suiting accessories to your fitness equipment. This could be a floor mat, for example, which makes your fitness equipment stand more securely and also protects the floor from falling sweat, but it could also be additional handrails on some treadmills or silicone spray to keep moving parts in good shape.

If you have purchased a fitness machine with pulse training and want to train your heart rate, we strongly recommend that you use a compatible chest strap, as this ensures optimum transmission of the heart rate. You may want to buy additional grips or weights for multi gyms.

Our range of accessories offers the highest quality and makes training even better. If you would like to find out more about compatible accessories, please go to the detail page of the product in our webshop (the easiest way is to enter the article number in the search field above) and go to the recommended accessories on this page. Of course, you can also contact our customer service: by telephone, e-mail, in one of our branches or via our social media channels. We will be happy to advise you!



floor mat



chest strap



chest strap contact gel



towels



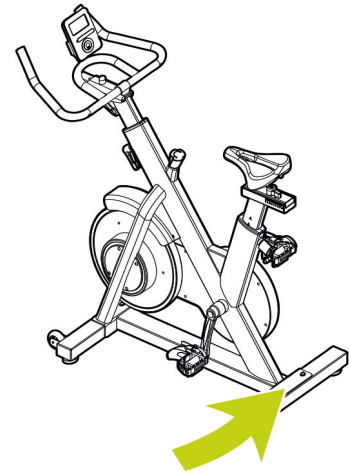
silicone spray

8.1 Serial Number and Model Name

In order to provide you with the best possible service, please have the model name, article number, serial number, exploded drawing and parts list ready. The corresponding contact options can be found in chapter 10 of this operating manual.

NOTICE

The serial number of your equipment is unique. It's located on a white sticker. The exact position of this sticker is shown in the following illustration.



Enter the serial number in the appropriate field.

Serial number:

Brand / Category:

Model Name:

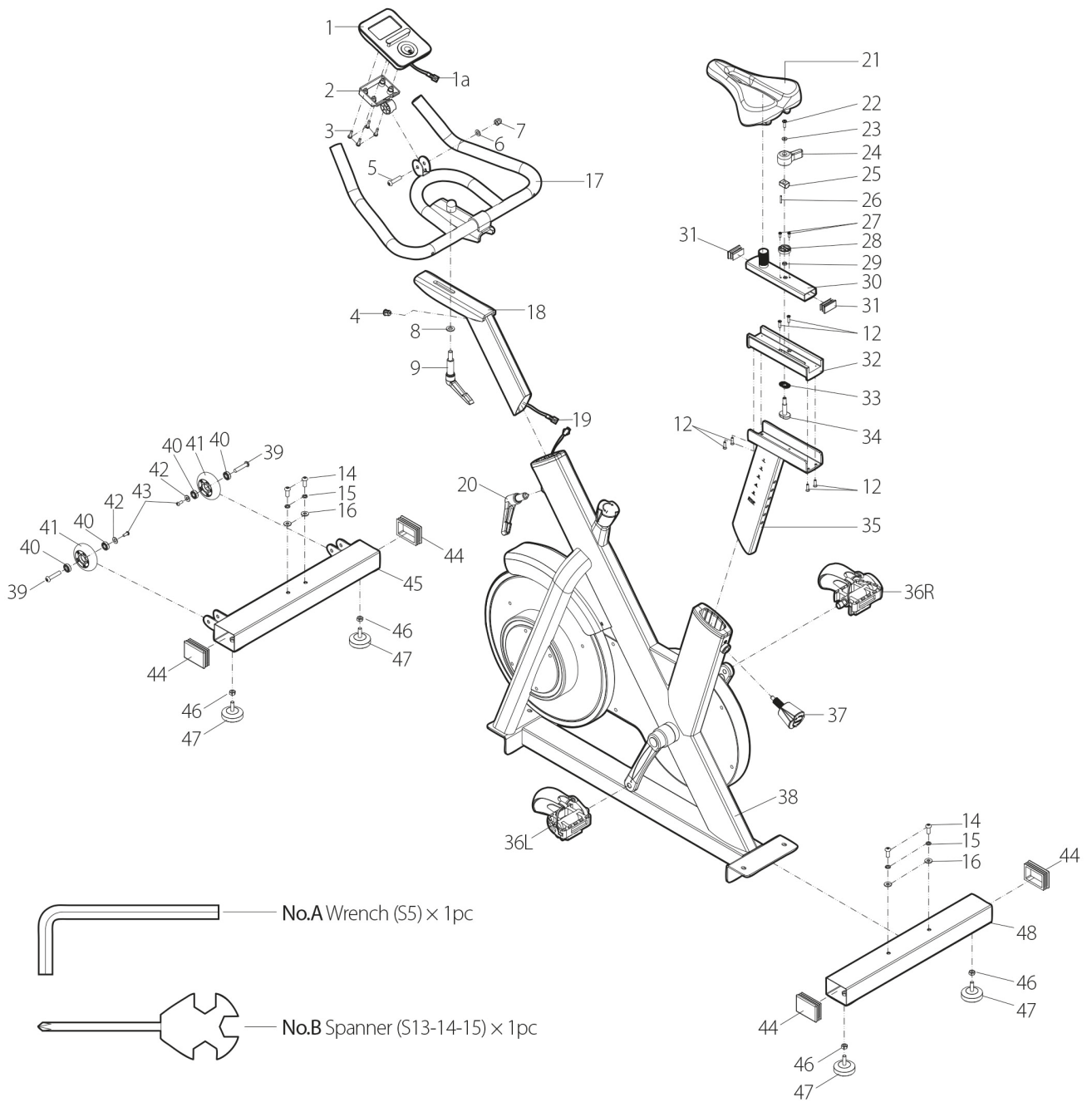
Article Number:

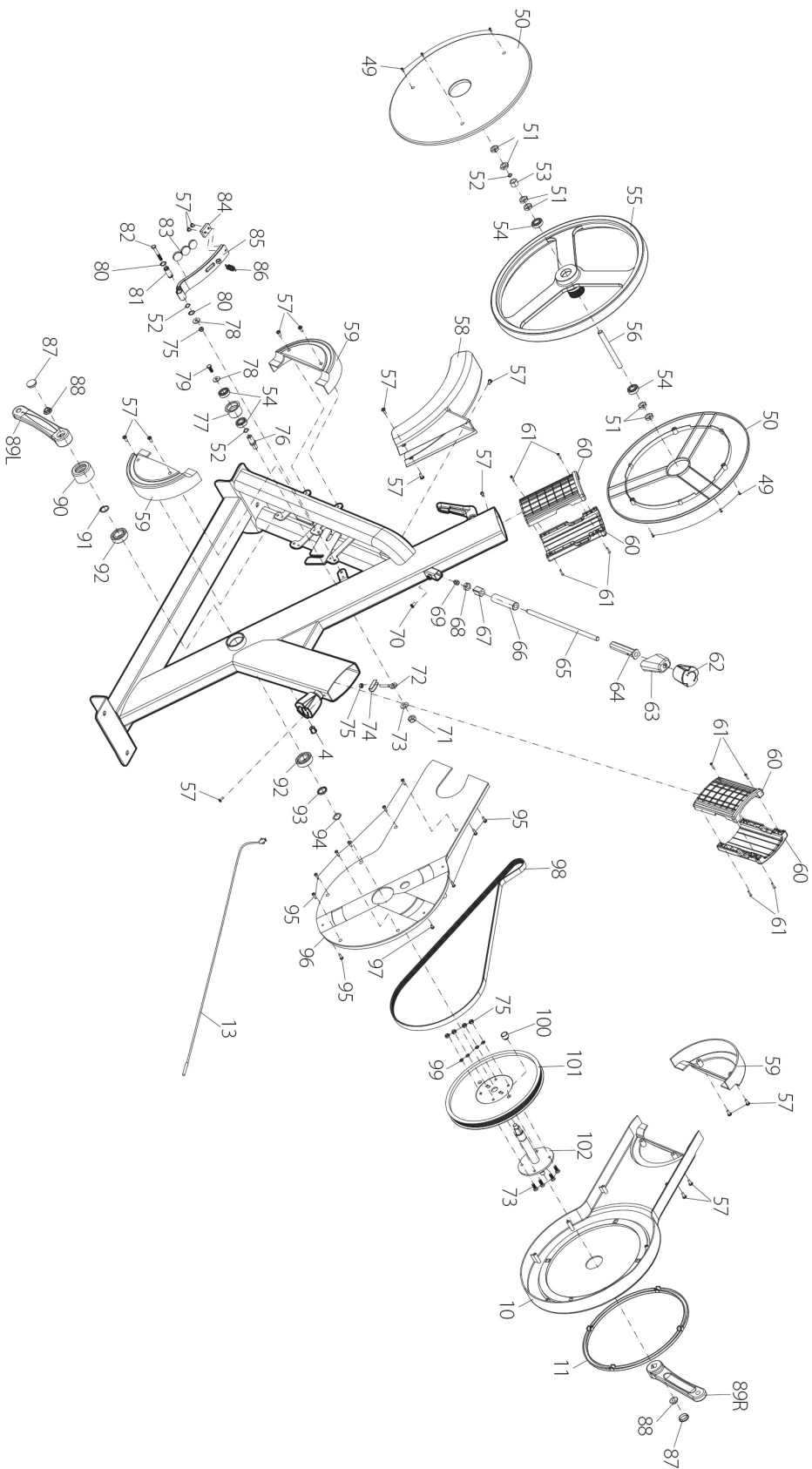
8.2 Parts List

No.	Name	Qty.	No.	Name	Qty.
1	Computer	1	33	Rubber Paste (2×29×19)	1
2	Computer Holder	1	34	Fixed Plate of Horizontal Saddle Tube	1
3	Bolt (M5×20)	4	35	Saddle Tube	1
4	Grommet (ø12.5)	2	36L/R	Pedal	2
5	Bolt (M8×35×S5)	1	37	Knob (M16)	1
6	Washer (D8×ø16×1.5)	1	38	Main Frame	1
7	Cap Nut (M8×H16×S13)	1	39	Bolt (ø7.8×30×M6×15×S5)	2
8	Washer	1	40	Bearing (608ZZ)	4
9	L-type Knob	1	41	Roller (ø71×ø19×24)	2
10	Outer Cover	1	42	Washer (D6×ø12×1.5)	2
11	Ring	1	43	Bolt (M6×12×S5)	2
12	Bolt (M5×18×ø8)	6	44	End Cap (J50×70)	4
13	Sensor	1	45	Front Stabilizer	1
14	Bolt (M8×20×S5)	4	46	Nut (M8)	4
15	Spring Washer (D8)	4	47	Adjustable Footpad	4
16	Washer (D8×ø20×2)	4	48	Rear Stabilizer	1
17	Handlebar	1	49	Screw (ST3×12×ø6)	6
18	Handlebar Tube Join	1	50	Cover for Flywheel	2
19	Trunk Wire II	1	51	Nut (M12×1)	6
20	L-type Handle (M16×1.5)	1	52	Wave Washer (D12×ø15.5×0.3)	3
21	Saddle	1	53	Spacer (ø18×ø12.1×12.5)	1
22	Bolt (M5×16×ø10)	1	54	Bearing (6001Z)	4
23	Washer (D5×14×2)	1	55	Flywheel	1
24	Handlebar of Horizontal Saddle Tube	1	56	Flywheel Shaft	1
25	Locking Core	1	57	Bolt (M5×10×ø9.5)	15
26	Limiter Pin (ø3×20)	1	58	Front Cover	1
27	Bolt (M4×12)	2	59	Cover	3
28	Limiter	1	60	Bushing	4
29	Rubber (ø11×ø8×3)	1	61	Bolt (ST3×16×ø5.6)	8
30	Horizontal Saddle Tube	1	62	Stationary Knob	1
31	End Cap (J40×20×17)	2	63	Brake Rod Cover	1
32	Lower Sliding Plate	1	64	Bushing	1

65	Spindle Brake	1	85	Magnetic Plate Join	1
66	Plastic Tube (ø16×ø10.5×78)	1	86	Tension Spring	1
67	Square Nut	1	87	Crank Cover (ø25×7)	2
68	Hexagon Nut (M10×H19×S17)	1	88	Nut	2
69	Nut (M6×H14×S10)	1	89L/R	Crank	2
70	Bolt (M6×10×S10)	1	90	Axis Cover	1
71	Nylon Nut (M10×H9.5×S17)	1	91	Washer (D20)	1
72	Bolt (M6×52×ø10×2.5)	1	92	Bearing	2
73	Bolt (M6×16×S10)	4	93	Bushing	1
74	Chain U Seat (30×10×1.5)	1	94	Wave Washer (D20×ø26×0.3)	1
75	Nylon Nut (M6×H6×S10)	6	96	Inner Cover	1
76	Idler Shaft	1	97	Bolt (ST4.2×8)	1
77	Idler	1	98	Belt	1
78	Washer (D6×ø16×1.5)	2	99	Spring Washer (D6)	4
79	Bolt (M6×10×S10)	1	100	Magnet	1
80	Washer (D12)	2	101	Belt Plate	1
81	Magnetic Plate Axle	1	102	Middle Axle	1
82	Bolt (M6×45)	1	A	Wrench (S5)	1
83	Magnet	3	B	Spanner (S13-14-15)	1
84	Brake Pad (30×20×8)	1			

8.3 Exploded Drawing





Training equipment from Duke® is subject to strict quality control. However, if a fitness equipment purchased from us does not work perfectly, we take it very seriously and ask you to contact our customer service as indicated. We are happy to help you by phone via our service hotline.

Error Descriptions

Your fitness equipment is developed for long-term, high-quality training. However, should a problem arise, please first read the operating instructions. For further assistance, please contact your contract partner or call our service hotline. To ensure your problem is solved as quickly as possible, please describe the defect as exactly as possible.

In addition to the statutory warranty, we provide a warranty for every fitness equipment purchased from us according to the following provisions.

Your statutory rights are not affected.

Warrantee

The warrantee is the first/original buyer and/or any person who received a newly purchased product as a gift from the original buyer.

Warranty period

The warranty periods, shown on our web shop, begin on delivery of the fitness equipment. The respective warranty periods for your equipment can be found on its product website.

Repair Costs

According to our choice, there will either be a repair, a replacement of individual damaged parts or a complete replacement. Spare parts, that have to be mounted while assembling the equipment, have to be replaced by the warrantee personally and are not a part of repair. After the expiration of the warranty period for repair costs, a pure parts warranty applies, which does not include the repair, installation and delivery costs.

The terms of use are defined as follows:

- + Home use: solely for private use in private households up to 3 hours per day
- + Semi-professional use: up to 6 hours per day (e. g. rehabilitation centres, hotels, clubs, company gyms)
- + Professional use: more than 6 hours per day (e. g. commercial gyms)

Warranty Service

Within the warranty period, equipment which develops faults as a result of material or manufacturing defects, will be repaired or replaced at our discretion. Ownership of equipment or parts of equipment which have been replaced is transferred to us. The warranty period is not extended nor does a new warranty period begin following repair or replacement under the warranty.

Warranty Conditions

For the warranty to be valid, the following steps must be taken:

Please contact our customer service by email or phone. If the product under warranty has to be sent in for repair, the seller bears costs. After expiry of the warranty, the buyer bears the costs of transport and insurance. If the fault is covered by our warranty, you will receive a new or repaired equipment in return.

Warranty claims are invalid in case of damage resulting from:

- + misuse or improper handling
- + environmental influences (moisture, heat, electrical surge, dust, etc.)
- + failure to follow the current safety measures for the equipment
- + failure to follow the operating instructions
- + use of force (e. g. hitting, kicking, falling)
- + interventions which were not carried out by one of our authorized service centres
- + unauthorised repair attempts

Proof of Purchase and Serial Number

Please make sure that you are able to provide the appropriate receipt when claiming on your warranty. So that we can clearly identify the model of your equipment, and for the purposes of our quality control, you will need to give the serial number of your equipment, when contacting the service team. Where possible please have your serial number and your customer number ready when you call our service hotline. It will help us to deal with your request swiftly.

If you cannot find the serial number on your fitness equipment, our service team is at your disposal to offer further information.

Service outside of the Warranty Period

We are also happy to issue an individual cost estimate if there is a problem with your fitness equipment after the warranty has expired, or in cases which do not fall under the terms of the warranty, e. g. normal wear and tear. Please contact our customer service team to find a quick and cost-effective solution to your problem. In such a case you will be responsible for the delivery costs.

Communication

Many problems can be solved just by speaking to us as your specialist supplier. We know how important it is to you as a user of the fitness equipment to have problems solved quickly and simply, so you can enjoy working out with minimal interruption. For that reason, we also want to resolve your queries quickly and in a straightforward manner. Thus, please always keep your customer number and the serial number of the faulty equipment handy.

DE	DK	FR
<p>TECHNIK</p> <p> +49 4621 4210-900 +49 4621 4210-698 technik@sport-tiedje.de Öffnungszeiten entnehmen Sie unserer Homepage.</p> <p>SERVICE</p> <p> 0800 20 20277 (kostenlos) info@sport-tiedje.de Öffnungszeiten entnehmen Sie unserer Homepage.</p>	<p>TEKNIK OG SERVICE</p> <p> 80 90 16 50 +49 4621 4210-945 info@fitshop.dk Åbningstider kan findes på hjemmesiden.</p>	<p>TECHNIQUE & SERVICE</p> <p> +33 (0) 172 770033 +49 4621 4210-933 service-france@fitshop.fr Vous trouverez les heures d'ouverture sur notre site Internet.</p>
	PL	BE
	<p>TECHNIKA I SERWIS</p> <p> 22 307 43 21 +49 4621 42 10-948 info@fitshop.pl Godziny otwarcia można znaleźć na stronie głównej.</p>	<p>TECHNIQUE & SERVICE</p> <p> 02 732 46 77 +49 4621 42 10-932 info@fitshop.be Vous trouverez les heures d'ouverture sur notre site Internet.</p>

UK	NL	INT
<p>TECHNICAL SUPPORT</p> <p> +44 141 876 3986 support@powerhousefitness.co.uk</p> <p>SERVICE</p> <p> +44 141 876 3972 You can find the opening hours on our homepage.</p>	<p>TECHNISCHE DIENST & SERVICE</p> <p> +31 172 619961 info@fitshop.nl De openingstijden vindt u op onze homepage.</p>	<p>TECHNICAL SUPPORT & SERVICE</p> <p> +49 4621 4210-944 service-int@sport-tiedje.de You can find the opening hours on our homepage.</p>
	AT	CH
	<p>TECHNIK & SERVICE</p> <p> 0800 20 20277 (Freecall) +49 4621 42 10-0 info@sport-tiedje.at Öffnungszeiten entnehmen Sie unserer Homepage.</p>	<p>TECHNIK & SERVICE</p> <p> 0800 202 027 +49 4621 42 10-0 info@sport-tiedje.ch Öffnungszeiten entnehmen Sie unserer Homepage.</p>

Please find a detailed overview including address and opening hours for all stores of the Sport-Tiedje Group in Germany and abroad on the following website:

www.sport-tiedje.com/en/stores

WE LIVE FITNESS

WEBSHOP AND SOCIAL MEDIA

Sport-Tiedje is Europe's largest specialist store for home fitness equipment with currently over 70 stores and one of the world's most renowned online mail order companies for fitness equipment. Private customers order via the 25 web shops in the respective national language or have their desired equipment assembled on site. In addition, the company supplies fitness studios, hotels, sports clubs, companies and physio practices with professional equipment for endurance and strength training.

Sport-Tiedje offers a wide range of fitness equipment from renowned manufacturers, high-quality in-house developments and comprehensive services, such as a build-up service and sports scientific advice before and after the purchase. The company employs numerous sports scientists, fitness trainers and competitive athletes.

Visit us also on our social media platforms or our blog!

