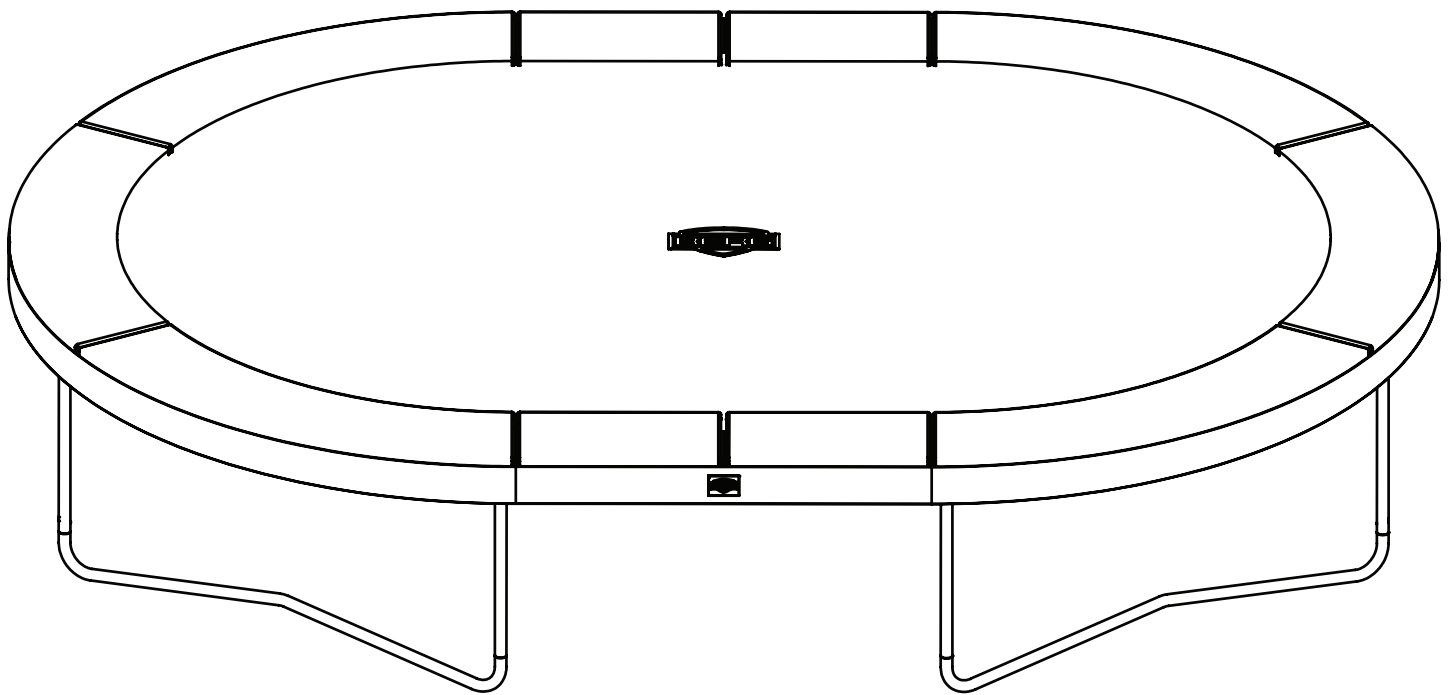




BERG Grand Champion

User manual
Gebruikshandleiding
Gebrauchsanweisung
Mode d'emploi

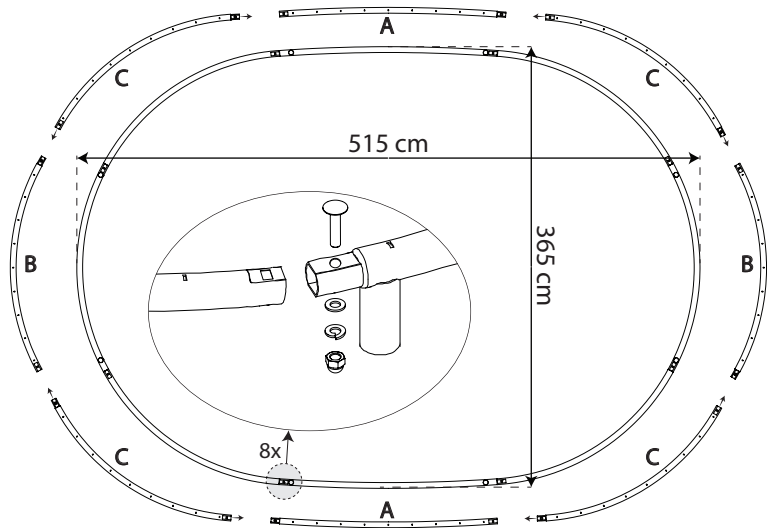
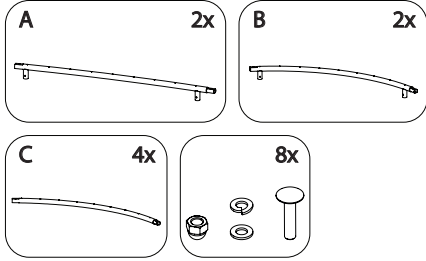


⚠ WARNING Choking hazard Small part
Not for children under 3 years Adult assembly required Retain for future reference

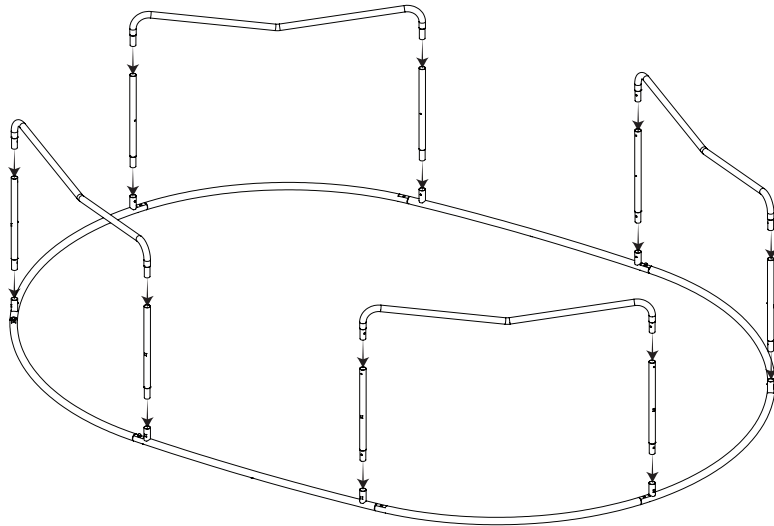
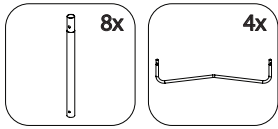
⚠ WAARSCHUWING Verstikkingsgevaar Kleine onderdelen
Niet geschikt voor kinderen jonger dan 3 jaar Volwassene montage vereist Bewaar voor toekomstig gebruik

⚠ ACHTUNG Erstickungsgefahr Kleine Teile
Nicht geeignet für Kindern unter 3 Jahre Erwachsene Montage erforderlich Zum späteren Nachschlagen aufbewahren

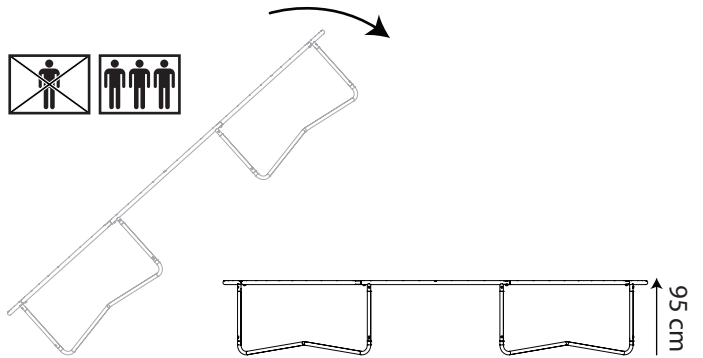
⚠ ATTENTION Danger d'étouffement Petits éléments
Ne convient pas aux enfants de moins de trois ans Assemblage par un adulte requis Conserver pour référence future



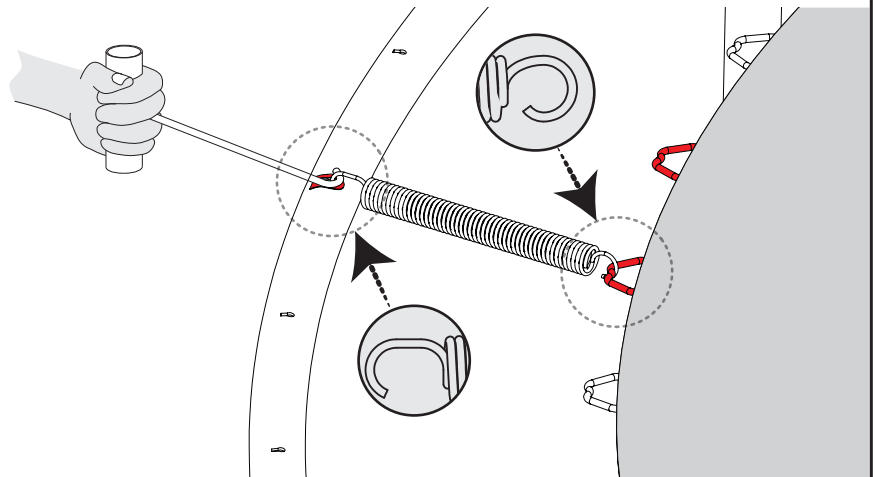
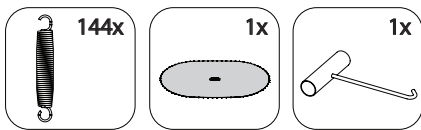
1



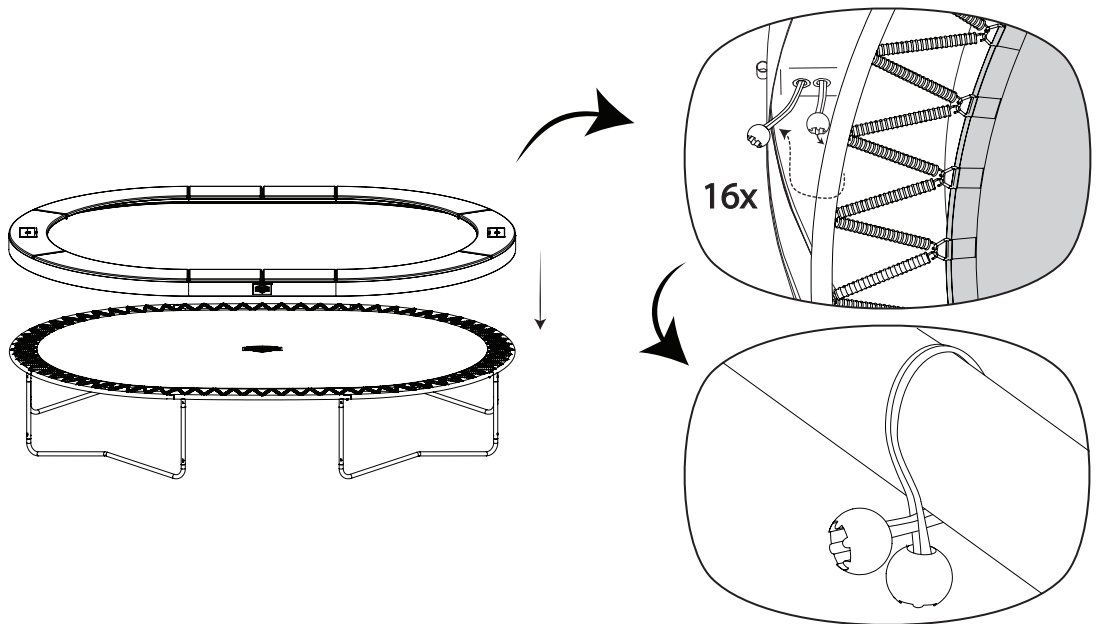
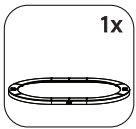
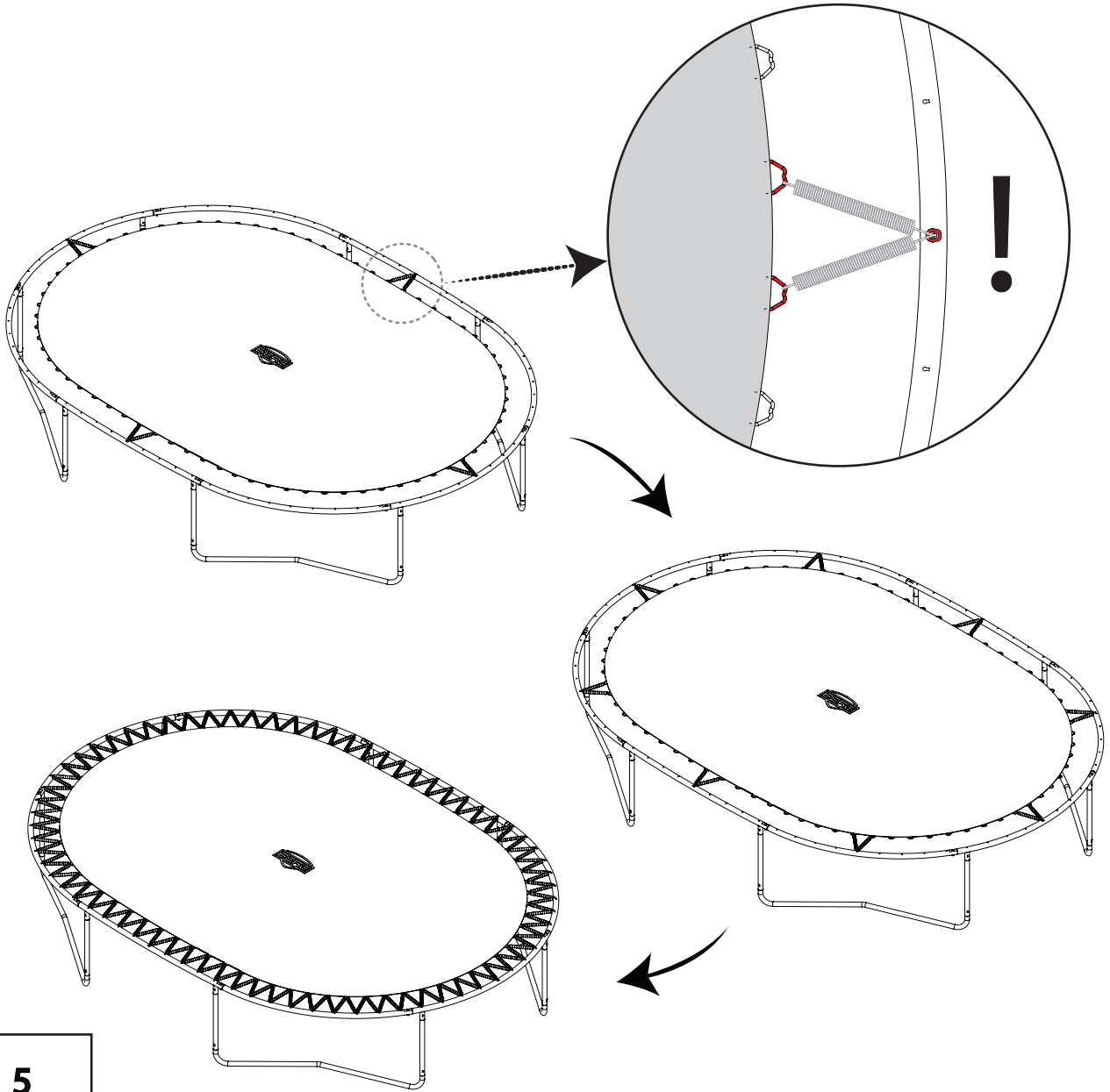
2



3



4



Index

1. Introduction
2. Guidelines for safe use
 - 2.1 Intended use
 - 2.1.1 Before use
 - 2.1.2 During use
 - 2.2 Restrictions of use
 - 2.3 Warnings
 - 2.4 Instructions for use
3. Care and Maintenance
4. Warranty
 - 4.1 Warranty period
 - 4.2 Warranty regulations

Introduction

Trampoline jumping is healthy and fun. Besides being a fun activity, it also lowers stress and improves your physical condition and blood circulation. Trampoline jumping is for young and old. We hope that you get years of pleasure from your trampoline and we thank you for purchasing the BERG trampoline.

This manual provides tips about assembly, safe use and jumping instructions for many years of trouble-free use. Jumping on a trampoline is not dangerous as long as you follow the safety instructions.

The frame of this BERG trampoline is galvanized in order to protect it against corrosion. If you follow the tips about maintenance and care of your trampoline, you are sure to have infinite fun with your trampoline.

We advise you to study this manual thoroughly prior to using the BERG trampoline and to store it in a safe place.

BERG wishes you a lot of jumping fun!

2. Guidelines for safe use

BERG or the dealer cannot be held responsible for improper use of this product. Please read these guidelines for use and instruct the user on how to properly and safely use this product. For additional information concerning the trampoline equipment, please contact your dealer.

2.1 Intended use

Only use your BERG product as instructed below. Any unauthorized use could result in serious injuries to the user and/or damage the product. Read all instructions before using the trampoline. Warnings and instructions for the care, maintenance, and use of this trampoline are included to promote safe, enjoyable use of this equipment. This trampoline is not intended to be buried into the ground.

2.1.1 Before use

- It is recommended to wear gloves when installing the products.
- To prevent injury, inspect the BERG trampoline before each use, referring to the assembly instructions. Replace any worn, defective, or missing parts. Also make sure the frame padding is correctly and securely positioned.
- Make sure the area underneath the BERG trampoline is clear of objects and obstacles. There may not be any people or animals underneath the trampoline.
- Ensure that the BERG trampoline is level. A spirit level may prove helpful, or you can put a ball in the middle of the canvas, then adjust the leg height until the ball stops rolling away from the middle.
- Only use the BERG trampoline when it is clean and dry.
- For information concerning skill training, contact a certified trampoline instructor.
- Before starting to jump, remove shoes, glasses, chains, ornaments, clasps and other sharp objects and empty your pockets.
- There must be a clearing (free of trees, fences and any other obstacle) of at least 2 meters around the trampoline.
- It is required to have a minimum clearance of 7 meters measured from the surface on which the trampoline is standing.
- The BERG trampoline shall neither be installed over concrete, asphalt or any other hard surface nor at proximity of other conflicting installations (e.g. paddling pools, swings, slides, climbing frames).

2.1.2 During use

- Only 1 person at a time is permitted to make use of the BERG trampoline.
- Children and novices must always jump under supervision of a mature, experienced person.
- Only jump on the BERG trampoline with bare feet or socks.
- Learn fundamental bounces and body positions thoroughly before trying more advanced skills. A variety of trampoline activities can be carried out by performing the basic fundamentals in various series and combinations performing one fundamental after another, with or without feet bounces between them.
- Avoid bouncing too high. Stay low until bounce control and repeated landing in the centre of the trampoline can be accomplished. Control is more important than height.

2.2 Restrictions of use

- Do not allow more than one person on the trampoline. Use by more than one person at the same time can result in serious injury.
- The BERG trampoline is not recommended for use by children under 6 years of age.
- Avoid jumping when tired. Keep turns short.
- Avoid jumping on the edge of the mat and on the padding. Always jump in the middle of the mat.
- Do not sit or stand on the springs and never jump on the springs.
- Do not use the BERG trampoline while under the influence of alcohol or drugs.
- Bounce only when the surface of the bed is dry. Wind or air movement should be calm to gentle. The BERG trampoline must not be used in gusty or severe winds.
- Do not allow pets on the BERG trampoline, to avoid damage to the protective padding or the canvas by paws or sharp claws.



2.3 Warnings

- Do not attempt or allow somersaults. Landing on the head or neck can cause serious injury, paralysis, or death, even when landing in the middle of the bed.
- Do not allow more than one person on the trampoline. Collision hazard. Use by more than one person at the same time can result in serious injury.
- The BERG trampoline is designed for 1 person at a time. The weight of the user may not exceed: 120kg
- Use trampoline only with mature, knowledgeable supervision.
- The BERG trampoline is only for outdoor use.
- The BERG trampoline is not recommended for use by children under 6 years of age.
- Inspect the BERG trampoline before each use according to the assembly and maintenance instructions, to avoid injury. Make sure the frame padding is correctly and securely positioned. Replace any worn, defective, or missing parts. If these checks are not carried out the trampoline could be a danger for the user.
- Climb on and off the BERG trampoline. It is a dangerous practice to jump from the trampoline to the floor or ground when dismounting, or to jump onto the trampoline when mounting. Do not use the trampoline as a springboard to other objects.
- Always jump in the middle of the mat. Avoid jumping on the edge of the mat and on the padding.
- Stop bounce by flexing knees as feet come in contact with the trampoline bed. Learn this skill before attempting others.
- Learn fundamental bounces and body positions thoroughly before trying more advanced skills. A variety of trampoline activities can be carried out by performing the basic fundamentals in various series and combinations, performing one fundamental after another, with or without feet bounces between them.
- Avoid bouncing too high. Stay low until bounce control and repeated landing in the centre of the trampoline can be accomplished. Control is more important than height.
- While keeping the head erect, focus eyes on the trampoline toward the perimeter. This will help control bounce.
- Avoid bouncing when tired. Keep turns short.
- Properly secure the trampoline when not in use. Protect it against unauthorized use. If a trampoline ladder is used, the supervisor should remove it from the trampoline when leaving the area to prevent unsupervised access by children of age.
- Keep objects and obstacles away which could interfere with the performer. Maintain a clear area around the trampoline.
- Before starting to jump, remove glasses, chains, ornaments, clasps and other sharp objects and empty your pockets in order to prevent damaging the trampoline or injure the user.
- Do not use the trampoline while under the influence of alcohol or drugs.
- Do not eat while jumping on the BERG trampoline.
- For additional information concerning the trampoline equipment, contact the manufacturer.
- Bounce only when the surface of the bed is dry. Wind or air movement should be calm to gentle. The trampoline must not be used in gusty or severe winds.
- Read all instructions before using the trampoline. Warnings and instructions for the care, maintenance, and use of this trampoline are included to promote safe, enjoyable use of this equipment.
- No objects or persons are allowed to be underneath the BERG trampoline.
- The use of fertilisers (artificial fertiliser, fertiliser pellets, etc.) is not allowed within a radius of 2 metres around the BERG trampoline. Using such products can harm the rust resistance of the BERG trampoline.
- Limit time of continuous use (make regular stops).
- Do not use in strong wind conditions and secure the trampoline.
- The trampoline shall be assembled by an adult in accordance with the assembly instructions and thereafter checked before the first use.
- Do not use the mat when it is wet.
- Not suitable for children under 36 months. Fall hazard.
- Jump without shoes.

Warnings specific to safety net:

- Don't try to jump over the top of the edge of the safety net
- Don't try to crawl under the lower edge of the safety net
- Use the safety net as a safety feature, the net is meant to make it jump safe. Do not jump intentionally in the net. Don't hang or climb in the safety net.
- Make sure that the clothes of the user do not contain any hooks, loops, drawstrings or other parts that could get stuck in the safety net.
- Don't attach anything to the safety net which is not an approved accessory or spare part of BERG for the safety net.
- Use the poles of the safety net not for climbing. Not during the installation of the trampoline and not during use of the trampoline.
- Use the entrance of the safety net to go on or off the trampoline. Other methods of providing access are not allowed.
- Avoid open fire in the immediate vicinity of the safety net.
- Replace the safety net after 5 years of use or when the net no longer works properly.
- Check before jumping if the entrance of the safety net is completely closed.

2.4 Instructions for use

When using the BERG trampoline, moving properly requires good posture. The right posture and balance are achieved by tightening one's muscles.

Good posture makes safe usage of the trampoline possible. When jumping, the body is exposed to shocks that need to be correctly absorbed. By tensing your muscles, you obtain better control over your balance and the jumping and rebounding strength of the body increases. A more relaxed posture leads to loss of energy and jumping and rebounding strength decreases. Start with the basic jumps and jumping positions and do not go any further before you have mastered these. Stop jumping by bending your knees as soon as your feet touch the mat.

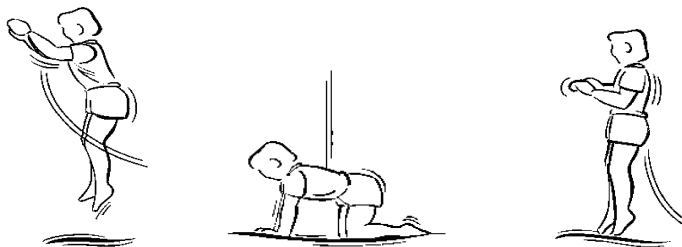
Basic bounce

- Stand straight and hold your head erect.
- Focus your eyes on the jump mat.
- Swing your arms forward and point your toes downwards while in the air.
- Bring your feet together and point your toes downwards while in the air.
- Keep your feet about 40 cm apart when landing on the mat.



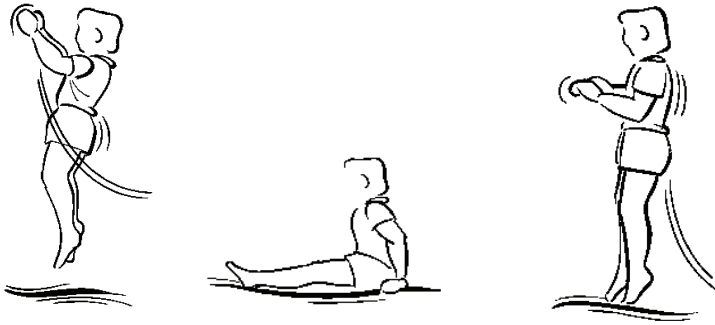
Hands and knees bounce

- Start with the basic bounce.
- Keep your eyes focused on the jump mat.
- Swing your arms forward and up in a circular motion.
- Drop to your hands and knees.
- Push yourself off with your hands and straighten up again to an erect position.



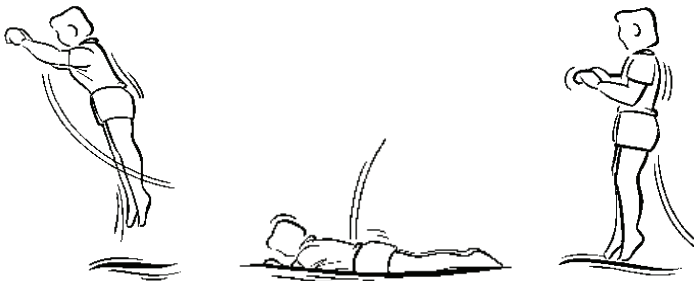
Seat drop

- Start with the basic bounce.
- Keep your eyes focused on the jump mat.
- Drop to a flat sitting position.
- Place your hands on the jump mat along side your hips.
- Push yourself off with your hands and straighten up again to an erect position.



Front bounce

- Start with the basic bounce and land on your stomach.
- Keep our head erect.
- Keep head up and arms extended forward on the mat.
- Push with arms to return to a standing position.



Back drop

- Start with the basic bounce and land on your back.
- Keep chin pressed against your chest during landing.
- Kick forward and up with legs when returning to a standing position.



3. Care and maintenance

Keep this manual as reference for instructions and maintenance.

The BERG trampoline is manufactured using high-quality materials and is intended for many years of enjoyment. Proper maintenance and good care guarantee a long lifespan and assists in preventing injuries.

The following guidelines should be observed.

Inspect the BERG trampoline before each use according to the assembly manual and replace broken, worn out or missing parts. Ignoring these inspections and neglecting regular maintenance can lead to dangerous situations and a risk for the user.

Pay attention to the following:

- The condition of the joints of the frame components (broken welds or bent frame).
- Check the bolt connections to make sure they are still fixed and tighten again when required. Check the connections (push pins) to make sure they will not become dislodged during play.
- The condition of the springs (broken or extensively stretched springs) and the connection of the springs to the frame and the jump mat. Springs and the suspension of springs are subjected to wear, replace worn parts in due time. The condition of the jump mat (damage, incorrect tension or sagging mat).
- The condition of the jump mat. The jump mat wears by use and by exposure to sunlight (UV radiation). Replace the jump mat in due time when the condition deteriorates.
- Missing, improperly positioned, or insecurely attached protective padding.
- Punctures, frays, tears, or holes worn in the mat or protective padding.
- Deterioration in the stitching or fabric of the mat or protective padding.
- Sharp protrusions on the frame. Check all coverings and sharp edges.
- In certain countries during winter period, the snow load and the very low temperature can damage the trampoline. It is recommended to remove the snow and store the mat and the enclosure indoor.

When the trampoline is not used for short periods it could be covered with a BERG Weather Cover, which for example makes sure that the trampoline is free of leaves and twigs. When the trampoline is not used for a longer period (e.g. during the winter) we recommend to store the trampoline and certainly the protective padding on a dry spot for a longer life of the product.

If the trampoline has to be moved, due to required maintenance of the current location or other reasons, disassemble the anchors (if any) and move the trampoline. Lift up the trampoline with three grown men, by lifting the trampoline at the top rails and move to the new location. If the trampoline needs to be relocated over a greater distance, disassemble the trampoline, pack the parts in the original packaging and assemble again at the new location.

You can clean the jump mat and the padding with a cloth and cold water. NEVER use solvents, dishwashing liquid, detergent or hot water.

Modifications or changes to the trampoline are not allowed. This will endanger the safety. Only changes that are in accordance with indications of BERG, are allowed. Any repairs need to be professionally carried out. Please check with your BERG dealer.

Install accessories according to the installation instruction.

Strong winds and gusts can pose a danger to the trampolines installed outdoors. We recommend that you anchor the trampoline using anchors to prevent that the trampoline makes unforeseen movements or is carried away by the wind. Or remove the wind catching components like the net and the jumpmat.

Mounting the trampoline includes fasteners and assembly with self-locking nuts. These self-locking nuts are only for single use. At disassembly and reassembly, these self-locking nuts should be replaced.

Contact our dealers for ordering original parts of the BERG trampoline.

4. Warranty

4.1 Warranty period

BERG trampolines are high-quality pieces of equipment. BERG offers you function warranty for years of carefree fun. A function warranty is a warranty on the functional use of the trampoline. Please consult the table below for the term of this warranty (years).

Frame	Padding	Jump mat	Springs
10	2	2	5

The safety net's and accessories are subject to a warranty period of 2 years, except for the Weather Cover Basic which is subjected to a warranty period of 1 year. Parts that are susceptible to wear and tear (such as elastics), weather influence such as rust and discolouration and the foam on the tubes of the safety net's are excluded from the warranty.

4.2 Warranty regulations

The owner of the product can only claim a warranty by presenting the original bill for the purchase to BERG or the dealer from whom the product was bought. The warranty only applies to material and constructions faults and with respect to this product or parts thereof. The warranty lapses if:

- The product is used in an erroneous, negligent or unsuitable way.
- The product is not assembled and maintained in accordance with the instruction manual.
- Technical repairs made to the product are not carried out in a professional manner.
- Parts subsequently fitted do not correspond to the technical specifications of the product in question or their fitting has not been carried out correctly.
- Damage caused by climatological influences such as rust, UV rays or normal wear and tear.
- Incorrect lowering of BERG trampolines.
- The product is used for rental purposes or is placed, in some other manner, at the disposal of several unspecified persons.

During the warranty period, all material and construction faults assessed by BERG will be repaired or replaced at the discretion of BERG after assessment of the facts by BERG. Repair, free of charge, provides that the warranty period mentioned in article 4.1 is still in progress.

The warranty can only be invoked by the owner of the BERG trampoline by having the product inspected by a BERG dealer.

The owner of this product can only lay claim under this warranty by providing the product for inspection by a BERG dealer. At the same time the original purchase bill must be handed over to the dealer. If the owner has moved, or the dealer is no longer available, when asked, BERG will inform the owner of the nearest BERG dealer.

If the claim under the warranty is refused, all costs incurred must be paid by the owner.

This warranty is not transferable to third parties.

Inhoud

1. Introductie
2. Richtlijnen voor veilig gebruik
 - 2.1 Beoogd gebruik
 - 2.1.1 Voor gebruik
 - 2.1.2 Tijdens gebruik
 - 2.2 Beperkingen aan het gebruik
 - 2.3 Waarschuwingen
 - 2.4 Gebruiksaanwijzingen
3. Onderhoud
4. Garantie
 - 4.1 Garantie periode
 - 4.2 Garantie regeling

1. Introductie

Op een trampoline springen is leuk en gezond. Daarnaast werkt het ook stressverlagend en verbetert het de conditie en de bloedsomloop. Trampoline springen is voor jong en oud.

Wij hopen dan ook dat u veel plezier zult beleven aan uw trampoline en bedanken u voor het aanschaffen van de BERG Trampoline.

Voor jarenlang probleemloos gebruik vindt u in deze handleiding tips voor montage, veiligheid, onderhoud en springinstructies. Trampoline springen is niet gevaarlijk zolang deze tips en instructies worden opgevolgd.

Het frame van de BERG Trampoline is verzinkt om het tegen corrosie te beschermen. Als u de tips over onderhoud en verzorging van uw trampoline in acht neemt, bent u verzekerd van eindelijk plezier met uw trampoline.

Wij adviseren om vóór het gebruik van de BERG Trampoline deze handleiding grondig te bestuderen en deze te bewaren.

BERG wenst u heel veel springplezier!

2. Richtlijnen voor veilig gebruik

BERG, of de dealer, kan niet verantwoordelijk gehouden worden voor oneigenlijk gebruik. Lees deze richtlijnen voor gebruik en instrueer de gebruiker hoe veilig gebruik te kunnen maken van dit product. Voor extra informatie over de trampoline kunt u contact op nemen met uw dealer.

2.1 Beoogd gebruik

Gebruik het BERG product enkel op de manier hieronder omschreven. Elk ongeautoriseerd gebruik kan resulteren in ernstige verwondingen bij de gebruiker en beschadigingen aanrichten aan het product. Lees alle instructies voor het gebruik van de trampoline. In deze handleiding zijn waarschuwingen, instructies voor onderhoud en gebruik van de trampoline inbegrepen om veiligheid te waarborgen en het gebruik tot een plezier te maken. Deze trampoline is niet bedoeld om te worden ingegraven in de grond.

2.1.1 Voor gebruik

- Bij de installatie van de producten raden wij het dragen van werkhandschoenen aan
- Controleer de BERG trampoline voor elk gebruik volgens de montage-instructies, om het springen veilig te houden en verwondingen of letsel te voorkomen. Vervang versleten of defecte onderdelen. Zorg er voor dat de afdekrand van het frame op de juiste en veilige manier vast zit.
- Zorg ervoor dat de ruimte onder de BERG trampoline vrij is van objecten en obstakels. Er mogen zich geen personen of dieren onder de trampoline bevinden.
- Zorg ervoor dat de BERG trampoline horizontaal staat. Een waterpas kan nuttig zijn. U kunt ook een bal in het midden van het springdoek plaatsen en vervolgens de pothoogte van de BERG trampoline aanpassen totdat de bal stopt met weggrollen van het midden van het springdoek.
- Gebruik de BERG trampoline enkel wanneer deze schoon en droog is.
- Voor informatie over vaardigheidstraining, neem contact op met een gecertificeerde trampoline-instructeur.
- Voordat u begint met springen dient u uw schoenen, bril, kettingen, sieraden, gespen en overige scherpe voorwerpen af te doen en dient u uw zakken te legen om beschadigingen aan de trampoline of verwondingen te voorkomen.
- Rondom de trampoline dient een vrije ruimte te zijn van minimaal 2 meter, vrij van bomen, afstralingen of ieder ander obstakel.
- Boven de trampoline dient een vrije ruimte te zijn van minimaal 7 meter vanaf de ondergrond waarop de trampoline staat.
- Plaats de BERG trampoline niet boven beton, asfalt of elke andere harde ondergrond of nabij andere conflicterende installaties (bijv. kinderbaden, schommels, glijbanen, klimrekken).

2.1.2 Tijdens gebruik

- Kinderen en beginners mogen alleen springen onder toezicht van een ervaren en volwassen persoon.
- Alleen op de BERG trampoline springen met blote voeten of sokken.
- Samengestelde trampoline oefeningen kunnen uitgevoerd worden door het combineren van verschillende enkelvoudige sprongen met of zonder basissprongen hier tussen.
- Spring niet te hoog. Controle over het springen is belangrijker dan de hoogte. Blijf laag springen tot de sprong onder controle is en er herhaaldelijk in het midden van het springdoek kan worden geland.

2.2 Beperkingen aan het gebruik

- Het is niet toegestaan om met meer dan 1 persoon tegelijkertijd gebruik te maken van de trampoline. Dit kan leiden tot ernstig letsel.
- De BERG trampoline wordt niet aanbevolen voor gebruik door kinderen jonger dan 6 jaar.
- Vermijd springen bij vermoeidheid.
- Spring niet op de rand van het springdoek en afdekrand van het frame. Spring alleen in het midden van het springdoek.
- Zit, sta of spring nooit op de veren van de trampoline.
- Gebruik de BERG trampoline nooit wanneer u onder invloed van alcohol of drugs bent.
- Spring alleen op de trampoline wanneer het oppervlak van het springdoek droog is. Spring nooit wanneer er een onstuimige of harde wind staat.
- Sta huisdieren nooit toe op uw BERG trampoline om schade aan de afdekrand van het frame en het springdoek door poten of scherpe klauwen te voorkomen.



2.3 Waarschuwingen

- Maak geen salto's en sta dit nooit toe. Een landing op het hoofd of nek kan zelfs in het midden van het springdoek, leiden tot ernstig letsel.
- Sta niet toe dat meer dan 1 persoon tegelijkertijd gebruik maakt van de trampoline. Risico op botsen. Het gebruik door meer dan 1 persoon tegelijkertijd kan leiden tot ernstig letsel.
- De BERG trampoline is voor gebruik door 1 persoon tegelijkertijd bedoeld. Het gewicht van de gebruiker mag nooit volgende waarde overschrijden: 120kg
- Gebruik van de trampoline door kinderen is alleen toegestaan met volwassen en deskundig toezicht.
- De BERG trampoline is enkel voor buitenshuis gebruik.
- De BERG trampoline wordt niet aanbevolen voor gebruik door kinderen jonger dan 6 jaar.
- Controleer de BERG trampoline voor elk gebruik volgens de montage-en onderhoudsinstructies, om letsel te voorkomen. Vervang versleten of defecte onderdelen. Zorg er voor dat de afdekrand van het frame op de juiste en veilige manier vast zit. Indien deze controles niet worden uitgevoerd kan de trampoline een gevaar gaan vormen voor de gebruiker.
- Klim op en af de BERG trampoline. Het is gevaarlijk om van de trampoline op de grond te springen of andersom.
- Spring niet op de rand van het springdoek en afdekrand van het frame. Spring alleen in het midden van het springdoek.
- Stoppen met springen bereikt u door uw knieën te buigen wanneer uw voeten in contact komen met het springdoek van de trampoline. Leer deze vaardigheid voordat u andere vaardigheden gaat oefenen.
- Samengestelde trampoline oefeningen kunnen uitgevoerd worden door het combineren van verschillende, enkelvoudige achtereenvolgende sprongen of met basisprongen hier tussen.
- Spring niet te hoog. Controle over het springen is belangrijker dan hoog springen. Blijf laag springen tot de sprong onder controle is en er herhaaldelijk in het midden van het springdoek kan worden geland.
- Sta rechtop en houd het hoofd recht. Houd de ogen op het springdoek gericht. Hiermee behoudt u controle over de sprong.
- Vermijd springen bij vermoeidheid.
- Stel uw trampoline veilig wanneer deze niet in gebruik is. Bescherm de trampoline tegen onbevoegd gebruik. Wanneer er gebruik wordt gemaakt van een trampoline-ladder dient deze door de eigenaar verwijderd te worden wanneer het gebied van de trampoline verlaten wordt. Hiermee voorkomt u toegang van kinderen zonder toezicht.
- Houd voorwerpen en obstakels die in aanraking kunnen komen met de gebruiker uit de buurt van trampoline. Zorg voor een vrij gebied rondom de trampoline.
- Voordat u begint met springen dient u uw schoenen, bril, kettingen, sieraden, gespen en overige scherpe voorwerpen af te doen en dient u uw zakken te legen om beschadigingen aan de trampoline of verwondingen te voorkomen.
- Gebruik de trampoline nooit onder invloed van alcohol of drugs.
- Niet eten tijdens het springen op de BERG trampoline.
- Neem contact op met de fabrikant voor meer informatie over de trampoline.
- Spring alleen op de trampoline wanneer het oppervlak van het springdoek droog is. Spring nooit wanneer er een onstuimige of harde wind staat.
- Lees alle instructies voor het gebruik van de trampoline. In deze handleiding zijn waarschuwingen, instructies voor onderhoud en gebruik van de trampoline inbegrepen om veiligheid te waarborgen en het gebruik tot een plezier te maken.
- Objecten en personen mogen zich niet onder de BERG trampoline bevinden.
- Het gebruik van meststoffen (kunstmest, mestkorrels, etc.) is niet toegestaan in een straal van 2 meter rond de BERG trampoline. Het gebruik van dergelijke producten kan schadelijk zijn voor het materiaal van de trampoline.
- Beperk de tijd van continu gebruik (neem regelmatig rust).
- Niet gebruiken bij sterke wind en zet de trampoline vast.

- De trampoline moet volgens de montage-instructies in elkaar gezet worden door een volwassene en vóór het eerste gebruik gecontroleerd worden.
- Niet gebruiken indien de mat nat is.
- Niet geschikt voor kinderen jonger dan 36 maanden. Valgevaar.
- Spring zonder schoenen.

Waarschuwingen specifiek voor safety net:

- Probeer niet over de bovenste rand van het safety net heen te springen
- Probeer niet onder de onderste rand van het safety net door te kruipen
- Gebruik het safety net als een veiligheids feature, het net is bedoeld om het springen veilig te maken. Spring niet opzettelijk in het net. Ga niet in het safety net hangen of klimmen.
- Zorg dat de kleding van de gebruiker geen haken, lussen, trekkoorden of iets wat kan blijven haken in het safety net heeft.
- Bevestig niets aan het safety net wat niet een door BERG goedgekeurd accessoire of onderdeel van het safety net is.
- Gebruik de palen van het safety net niet om in te klimmen. Niet gedurende het opbouwen van de trampoline en niet tijdens gebruik van de trampoline.
- Gebruik de ingangsoening van het safety net om op of af de trampoline te gaan. Andere methodes van verschaffen van toegang zijn niet toegestaan.
- Vermijd open vuur in de directe omgeving van het safety net.
- Vervang het safety net na 5 jaar gebruik of wanneer het net niet meer naar behoren funktioneert.
- Controleer voor het springen of de ingang volledig gesloten is.

2.4 Gebruiksaanwijzingen

Bij gebruik van de BERG trampoline is het een vereiste een juiste houding aan te nemen. De juiste houding en balans worden verkregen door het aanspannen van de spieren en maakt het mogelijk om veilig trampoline te kunnen springen.

Tijdens het springen wordt het lichaam blootgesteld aan schokken die op een correcte manier moeten worden opgevangen. Wanneer u uw spieren aanspant verkrijgt u een betere controle over uw evenwicht en de spring- en veerkracht van het lichaam neemt toe. Een meer ontspannen houding leidt tot verlies aan energie en de spring- en veerkracht van het lichaam neemt af. Begin met de basis sprongen en probeer geen ingewikkelde sprongen voordat u de basissprongen beheerst. Om te stoppen met springen dient u uw knieën in te trekken wanneer uw voeten met het springdoek in contact komen.

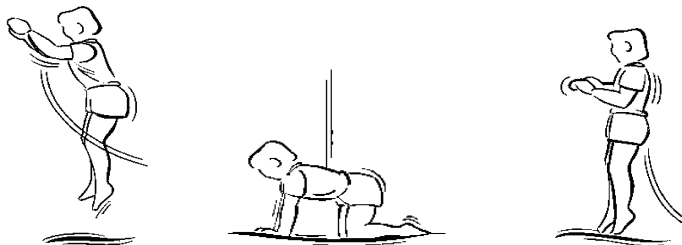
Basissprong

- Sta rechtop en houd het hoofd recht.
- Houd de ogen op het springdoek gericht.
- Zwaai de armen vooruit en omhoog in een cirkelvormige beweging.
- Houd de voeten bij elkaar en richt de tenen tijdens het springen naar beneden.
- Houd de voeten bij het landen ongeveer veertig cm uit elkaar.



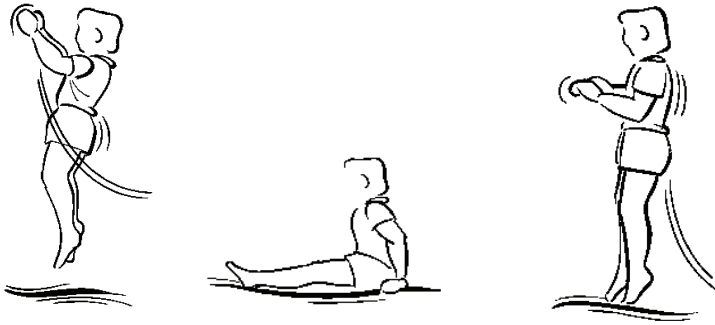
Hand en kniesprong

- Start met de basissprong.
- Houd de ogen op het springdoek gericht.
- Zwaai de armen vooruit en omhoog in een cirkelvormige beweging.
- Land op handen en knieën.
- Duw af met de handen en kom in rechte houding overeind.



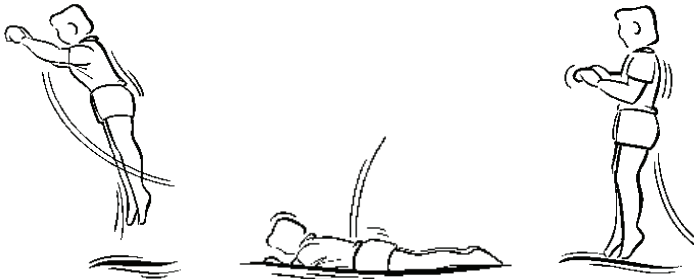
Zitsprong

- Start met de basissprong.
- Houd de ogen op het springdoek gericht.
- Land in zithouding.
- Plaats de handen naast de heupen op het springdoek.
- Duw af met de handen en kom in rechte houding overeind.



Buiksprong

- Start met de basissprong en kom neer op de buik.
- Houd het hoofd recht.
- Houd de armen voor het hoofd op het springdoek.
- Duw af met de armen om recht terug te komen.



Rugsprong

- Start met de basissprong en kom neer op de rug.
- Houd tijdens het neerkomen de kin tegen de borst geklemd.
- Sla de benen vooruit en omhoog wanneer u recht overeind komt.



3. Onderhoud

Bewaar deze handleiding en instructie voor het plegen van onderhoud.

De BERG trampoline is gemaakt van hoogwaardig materiaal en bedoeld om er vele jaren plezier aan te beleven. Een juist onderhoud en een goede verzorging garanderen een lange levensduur en helpen letsel te voorkomen.

De volgende richtlijnen dienen in acht genomen te worden.

Inspecteer de BERG trampoline voor elk gebruik aan de hand van de montagehandleiding en vervang defecte, versleten of ontbrekende onderdelen. Het negeren van deze inspecties en de verwaarlozing van onderhoud kan leiden tot gevaarlijke situaties en onnodige risico's voor de gebruiker.

Let hierbij op het volgende:

- De conditie van de verbindingen van het frame (gebroken lassen of gebogen frame).
- De conditie van de veren (gebroken of overmatige strekking) en de bevestiging van de veren aan het frame en springdoek. Veren en de ophanging van veren zijn onderhevig aan slijtage, vervang tijdig versleten onderdelen.
- Controleer of de boutverbindingen vast zitten en zet deze eventueel opnieuw vast.
- Controleer de borging van verbindingen (drukpinnen) of deze niet losraken tijdens het springen.
- De conditie van het springdoek (beschadigingen, onjuiste spanning of doorzakken van de mat) Het springdoek slijt door het gebruik en door blootstelling aan zonlicht (UV straling). Vervang het springdoek tijdig wanneer de conditie verslechterd.
- De conditie van de beschermrand en bevestiging van de beschermrand op het frame. Vervang een defecte beschermrand.
- Verkeerde steken, rafels, scheuren of gaten in het springdoek of afdekrand van het frame.
- Verslechtering van de stiksels of weefsel van het springdoek of afdekrand van het frame.
- Scherpe uitsteeksels op het frame. Controleer alle afdekkingen en scherpe randen.
- In sommige landen tijdens de winter periode, kan de sneeuw belasting en de zeer lage temperatuur de trampoline beschadigen. Het wordt aanbevolen om de sneeuw te verwijderen en het springdoek en het Safety Net binnenshuis op te bergen.

Wanneer de trampoline voor korte periodes niet gebruikt wordt kan deze desgewenst afgedekt worden met een BERG Afdekhoes die de trampoline vrij houdt van bijvoorbeeld bladeren en takjes. Wanneer de trampoline voor een langere periode niet gebruikt wordt (bijvoorbeeld tijdens de winter) raden wij aan de trampoline en zeker de beschermrand op een droge plek op te bergen voor een langere levensduur van het product.

U kunt het springdoek en de afdekrand van het frame reinigen met een doek en koud water. Gebruik in geen geval oplosmiddelen, afwasmiddel, zeepoeder of heet water.

Wijzigingen of veranderingen aan de trampoline zijn niet toegestaan. Dit brengt de veiligheid in gevaar. Alleen veranderingen die zijn afgestemd met, of overeenkomstig aanwijzingen van BERG, zijn toegestaan. Eventuele reparaties moeten professioneel worden uitgevoerd. Neem hiervoor contact op met uw BERG dealer

Monteer accessoires volgens de bijgeleverde montage instructies.

Sterke wind en windvlagen kunnen een gevaar vormen voor de buiten opgestelde trampolines. Wij raden u aan de trampoline te verankeren dmv ankers om te voorkomen dat de trampoline onvoorziene bewegingen maakt of meegevoerd kan worden door de wind. Of verwijder de wind vangende onderdelen zoals het net en het springdoek.

De montage van de trampoline omvat bevestigingen en montage met zelfborgende moeren. Deze zelfborgende moeren zijn uitsluitend voor éénmalig gebruik. Bij demontage en opnieuw monteren, moeten deze zelfborgende moeren worden vervangen.

Voor het bestellen van originele BERG trampoline onderdelen verwijzen we u naar uw dealer.

4. Garantie

4.1 Garantie periode

BERG Trampolines zijn van uitstekende kwaliteit. Om u jarenlang onbezorgd speelplezier te bieden op onze trampolines biedt BERG functie garantie. Functie garantie is de garantie op het functionele gebruik van de trampoline. Voor de duur van deze garantie, zie onderstaande tabel (jaren).

Frame	Beschermand	Springdoek	Veren
10	2	2	5

Op de safety netten en accessoires geldt een garantietermijn van 2 jaar met uitzondering van de Afdekhoes Basic, daar geldt een garantie termijn van 1 jaar. Slijtagegevoelige onderdelen (bijv. elastieken), weersinvloeden als roest en verkleuring en het schuim op de palen van de safety netten zijn uitgesloten van garantie.

4.2 Garantie regeling

De eigenaar van het product kan slechts aanspraak maken op de garantie door de originele aankoopnota aan te bieden. De garantie geldt alleen voor materiaal- en constructiefouten met betrekking tot dit product en diens onderdelen. De garantie vervalt wanneer:

- Dit product onjuist en/of onzorgvuldig gebruikt is.
- Dit product niet conform het instructieboekje geassembleerd en onderhouden is.
- Technische reparaties aan dit product niet op vakkundige wijze verricht zijn.
- Naderhand gemonteerde onderdelen gebruikt zijn die niet overeen komen met de technische specificaties van het betreffende product, of onjuist gemonteerd zijn.
- Gebreken ontstaan als gevolg van klimatologische invloeden, zoals roest of normale verwerking door o.a. UV-straling.
- Het product wordt gebruikt voor verhuur of op andere wijze aan meerdere ongespecificeerde personen ter beschikking staat.
- InGround trampolines niet correct zijn ingegraven.

Gedurende de garantieperiode zullen alle door BERG vastgestelde materiaal- of constructiefouten ter keuze van BERG worden gerepareerd, dan wel worden vervangen. Reparatie, op kosten van BERG, is alleen mogelijk wanneer de garantieperiode vermeld in 4.1 nog aan de gang is.

De eigenaar van dit product kan slechts aanspraak maken op de garantie door het product ter inspectie aan te bieden bij een BERG dealer. Gelijktijdig dient het originele aankoopnota aan de dealer te worden overhandigd. Indien de eigenaar is verhuisd of de dealer niet meer beschikbaar is, zal BERG desgevraagd opgaf doen van de dichtstbijzijnde BERG dealer.

Indien de garantieaanvraag afgewezen wordt, zijn alle gemaakte kosten voor rekening van de eigenaar.

Deze garantie is niet overdraagbaar aan derden.

Inhaltsverzeichnis

1. Einleitung
2. Richtlinien für die sichere Verwendung
 - 2.1 Bestimmungsgemäße Verwendung
 - 2.1.1 Vor der Verwendung
 - 2.1.2 Während der Verwendung
 - 2.2 Nutzungseinschränkungen
 - 2.3 Warnhinweise
 - 2.4 Gebrauchshinweise
3. Pflege und Wartung
4. Garantie
 - 4.1 Garantiezeit
 - 4.2 Garantiebestimmungen

Einleitung

Trampolinspringen macht Spaß und ist gesund. Es ist nicht nur eine angenehme Tätigkeit sondern verringert auch Stress, verbessert die Kondition und die Blutzirkulation. Trampolinspringen ist geeignet für Jung und Alt. Wir hoffen, dass auch Sie viel Spaß mit Ihrem Trampolin haben und bedanken uns für den Kauf des BERG Trampolins.

Um Ihr Trampolin jahrelang problemlos benutzen zu können, finden Sie in dieser Gebrauchsanleitung Tipps zur Montage, Sicherheit, Wartung und Sprunginstruktionen. Trampolinspringen ist nicht gefährlich, solange diese Tipps und Anweisungen befolgt werden.

Der Rahmen dieses BERG Trampolin ist zum Schutz gegen Korrosion galvanisiert. Wenn Sie außerdem die Tipps zur Wartung und Pflege Ihres Trampolins beachten, haben Sie sicher lange Zeit Freude an ihrem Trampolin.

Wir empfehlen Ihnen, vor der Benutzung des BERG Trampolins diese Gebrauchsanleitung gründlich zu lesen und sie aufzubewahren.

BERG wünscht Ihnen viel Spaß beim Springen!

2. Richtlinien für die sichere Verwendung

BERG oder der Händler können bei einer unsachgemäßen Nutzung dieses Produkts nicht zur Verantwortung gezogen werden. Bitte lesen Sie diese Richtlinien vor dem Gebrauch durch und unterweisen Sie den Benutzer, wie dieses Produkt sachgemäß und sicher verwendet wird. Zu weiteren Informationen über das Trampolin setzen Sie sich bitte mit Ihrem Händler in Verbindung.

2.1 Bestimmungsgemäße Verwendung

Verwenden Sie Ihr Produkt von BERG ausschließlich gemäß den nachfolgenden Anweisungen. Eine unbefugte Nutzung könnte schwere Verletzungen für den Verwender und/oder Schäden am Produkt hervorrufen. Bitte lesen Sie vor der Nutzung des Trampolins sämtliche Anweisungen. Enthalten sind Warnhinweise und Anweisungen für die Pflege, die Wartung und die Nutzung dieses Trampolins, um die sichere und vergnügliche Verwendung dieses Geräts zu fördern. Das Trampolin ist nicht dazu bestimmt, in den Boden eingegraben werden.

2.1.1 Vor der Verwendung

- Es wird empfohlen, bei der Installation der Produkte Arbeitshandschuhe zu tragen.
- Zur Vermeidung von Verletzungen kontrollieren Sie das BERG-Trampolin vor jeder Nutzung anhand der Montageanweisungen. Ersetzen Sie verschlissene, defekte oder fehlende Teile. Überprüfen Sie außerdem, ob der Schutzrand richtig und sicher in Position gebracht ist.
- Sorgen Sie dafür, dass der Bereich unter dem BERG-Trampolin frei ist von Objekten und Hindernissen. Füße und es gibt keine Personen oder Tiere unter das Trampolin.
- Stellen Sie sicher, dass das BERG-Trampolin gerade aufgestellt ist. Dazu kann eine Wasserwaage hilfreich sein. Sie können aber auch einen Ball in die Mitte der Bespannung legen und dann die Höhe der Füße einstellen, bis der Ball nicht mehr aus der Mitte wegrollt.
- Benutzen Sie das BERG-Trampolin ausschließlich in sauberem und trockenem Zustand.
- Zu Informationen über die Vermittlung von Trampolintechniken setzen Sie sich bitte mit einem zertifizierten Trampolin-Trainer in Verbindung.
- Vor dem Springen legen Sie bitte Schuhe, Brillen, Ketten, Schmuck, Spangen und andere scharfe Gegenstände ab und leeren Sie Ihre Hosentaschen.
- Unter dem BERG-Trampolin dürfen sich keine Gegenstände befinden oder Personen aufhalten.
- Rund um das Trampolin muss ein Freiraum - frei von Bäumen, Zäunen oder jeglichen anderen Hindernissen - von mindestens 2 Metern vorhanden sein.
- Über dem Trampolin muss ein Freiraum von 7 Metern, gemessen ab dem Boden, auf dem das Trampolin steht, vorhanden sein.
- In einem Umkreis von 2 Metern rund um das BERG-Trampolin dürfen keine Düngemittel (Kunstdünger, Düngepellets usw.) verwendet werden. Eine Verwendung derartiger Produkte kann die Widerstandsfestigkeit des BERG-Trampolins beeinträchtigen.
- Stellen Sie das BERG Trampoline nicht auf Beton, Asphalt oder einer anderen harten Oberfläche auf, oder in der Nähe von widersprüchlichen Installationen (z.B. Planschbecken, Schaukeln, Rutschen, Klettergerüste usw.).

2.1.2 Während der Verwendung

- Das BERG-Trampolin darf ausschließlich jeweils von einer Person zur selben Zeit genutzt werden.
- Kinder und Neulinge müssen stets unter Aufsicht eines erfahrenen Erwachsenen springen.
- Springen Sie auf dem BERG-Trampolin ausschließlich barfuß oder auf Socken.
- Erlernen Sie die grundlegenden Sprünge und Körperpositionen sorgfältig, bevor Sie fortgeschrittenere Techniken ausprobieren. Verschiedenste Trampolinaktivitäten lassen sich durch elementare Sprünge in unterschiedlichen Serien und Kombinationen aus mehreren elementaren Aktionen hintereinander ausführen, die mit oder ohne Fußsprünge dazwischen erfolgen.
- Springen Sie nicht zu hoch. Bleiben Sie in niedriger Höhe, bis Sie die Sprünge kontrollieren und wiederholtes Landen in der Mitte des Trampolins schaffen. Kontrolle ist wichtiger als Höhe.

2.2 Nutzungseinschränkungen

- Lassen Sie nicht mehr als jeweils eine Person zur selben Zeit auf das Trampolin. Bei einer Nutzung von mehr als einer Person zur selben Zeit können schwere Verletzungen entstehen.
- Das BERG-Trampolin wird nicht für Kinder unter 6 Jahren empfohlen.
- Springen Sie nicht, wenn Sie müde sind. Halten Sie Drehungen kurz.
- Springen Sie nicht auf die Kante der Matte oder auf den Schutzrand. Springen Sie immer in der Mitte der Matte.
- Setzen und stellen Sie sich nicht auf die Federn und springen Sie niemals auf den Federn.
- Benutzen Sie das BERG-Trampolin nicht, wenn Sie unter dem Einfluss von Alkohol, Drogen oder Medikamenten stehen.
- Springen Sie nur dann, wenn die Mattenoberfläche trocken ist. Wind oder Luftbewegungen sollten ruhig bis leicht sein. Das BERG-Trampolin darf nicht bei böigen oder starken Winden genutzt werden.
- Lassen Sie keine Haustiere auf das BERG-Trampolin, um Beschädigungen am Schutzrand oder an der Spannung durch Pfoten oder scharfe Krallen zu vermeiden.



2.3 Warnhinweise

- Versuchen Sie keine Saltos und lassen Sie keine Saltos zu. Bei einer Landung auf dem Kopf oder Genick können schwere Verletzungen oder Lähmungen auftreten oder es kann sogar der Tod eintreten, auch wenn die Landung in der Mitte der Matte erfolgt.
- Lassen Sie nicht mehr als jeweils eine Person zur selben Zeit auf das Trampolin. Kollisionsgefahr. Bei einer Nutzung von mehr als einer Person zur selben Zeit können schwere Verletzungen entstehen.
- Das BERG-Trampolin ist für jeweils eine Person zur selben Zeit ausgelegt. Das maximal zulässige Gewicht des Benutzers beträgt: 120kg
- Beaufsichtigung durch einen Erwachsenen erforderlich.
- Das BERG-Trampolin ist nur für die Benutzung im Freien bestimmt.
- Das BERG-Trampolin wird nicht für Kinder unter 6 Jahren empfohlen.
- Kontrollieren Sie das BERG-Trampolin vor jeder Benutzung gemäß den Anweisungen in der Montage- und Wartungsanleitung, um Verletzungen zu vermeiden. Ersetzen Sie abgenutzte oder defekte Teile. Stellen Sie sicher, dass der Schutzrand des Rahmens auf korrekte und sichere Weise befestigt ist. Ohne diese Kontrollen kann das Trampolin eine Gefahr für den Benutzer darstellen.
- Klettern Sie auf das Trampolin bzw. vom Trampolin herunter. Es ist gefährlich, beim Absteigen vom Trampolin auf den Boden oder die Erde zu springen bzw. beim Aufsteigen auf das Trampolin zu springen. Benutzen Sie das Trampolin nicht als Sprungbrett auf andere Objekte.
- Springen Sie immer in der Mitte der Matte. Springen Sie nicht auf die Kante der Matte oder auf den Schutzrand.
- Beenden Sie Sprünge, indem Sie die Knie beugen, wenn die Füße mit der Trampolinmatte in Berührung kommen. Lernen Sie diese Technik, bevor Sie andere ausprobieren.
- Erlernen Sie die grundlegenden Sprünge und Körperpositionen sorgfältig, bevor Sie fortgeschrittenere Techniken ausprobieren. Verschiedenste Trampolinaktivitäten lassen sich durch elementare Sprünge in unterschiedlichen Serien und Kombinationen aus mehreren elementaren Aktionen hintereinander ausführen, die mit oder ohne Fußsprünge dazwischen erfolgen.
- Springen Sie nicht zu hoch. Bleiben Sie in niedriger Höhe, bis Sie die Sprünge kontrollieren und wiederholtes Landen in der Mitte des Trampolins schaffen. Kontrolle ist wichtiger als Höhe.
- Halten Sie die Kopf aufrecht und die Augen auf das Trampolin hin zum Rand gerichtet. Das hilft bei einer Kontrolle der Sprünge.
- Springen Sie nicht, wenn Sie müde sind. Halten Sie Drehungen kurz.
- Sichern Sie das Trampolin ordnungsgemäß, wenn es nicht in Gebrauch ist. Schützen Sie das Trampolin vor einer unbefugten Nutzung. Wenn eine Trampolinleiter verwendet wird, hat die Aufsichtsperson die Leiter beim Verlassen des Bereichs zu entfernen, um einen unbeaufsichtigten Zugang von Kindern unter 6 Jahren zu verhindern.
- Halten Sie Gegenstände und Hindernisse fern, die den Benutzer behindern könnten. Sorgen Sie rund um das Trampolin für einen freien Bereich.
- Vor dem Springen legen Sie bitte Brillen, Ketten, Schmuck, Spangen und andere scharfe Gegenstände

ab und leeren Sie Ihre Hosentaschen, um eine Beschädigung des Trampolins oder Verletzung des Benutzers zu verhindern.

- Benutzen Sie das Trampolin nicht, wenn Sie unter dem Einfluss von Alkohol, Drogen oder Medikamenten stehen.
- Essen Sie nicht, während Sie das BERG-Trampolin benutzen.
- Zu weiteren Informationen über das Trampolin setzen Sie sich bitte mit dem Hersteller in Verbindung.
- Springen Sie nur dann, wenn die Mattenoberfläche trocken ist. Wind oder Luftbewegungen sollten ruhig bis leicht sein. Das Trampolin darf nicht bei böigen oder starken Winden genutzt werden.
- Bitte lesen Sie vor der Nutzung des Trampolins sämtliche Anweisungen. Enthalten sind Warnhinweise und Anweisungen für die Pflege, die Wartung und die Nutzung dieses Trampolins, um die sichere und vergnügliche Verwendung dieses Geräts zu fördern.
- Die Dauer der ununterbrochenen Benutzung begrenzen (regelmäßige Pausen einlegen).
- Bei Starkwindbedingungen das Trampolin sichern und nicht benutzen.
- Das Trampolin muss durch eine erwachsene Person entsprechend den Aufbauanleitungen zusammengebaut und anschließend vor der ersten Nutzung überprüft werden.
- Nicht benutzen, wenn die Sprungmatte nass ist.
- Nicht für Kinder unter 36 Monaten geeignet. Absturzgefahr.
- Ohne Schuhe springen.

Spezifische Warnungen für Sicherheitsnetze:

- Versuchen Sie nicht, über den oberen Rand des Sicherheitsnetzes zu springen.
- Versuchen Sie nicht, unter dem unteren Rand des Sicherheitsnetzes hindurchzukriechen.
- Das Sicherheitsnetz dient dazu, die Sicherheit beim Springen zu erhöhen; benutzen Sie es also entsprechend. Springen Sie nicht absichtlich gegen das Netz, hängen Sie sich nicht daran und klettern Sie nicht daran hoch.
- Stellen Sie sicher, dass sich an der Kleidung des Benutzers keine Haken, Schleifen, Kordeln oder andere Gegenstände befinden, die am Sicherheitsnetz hängenbleiben können.
- Befestigen Sie keine anderen Gegenstände am Sicherheitsnetz als die von BERG hierfür vorgesehenen Zubehörteile oder Komponenten.
- Klettern Sie nicht an den Rohren des Sicherheitsnetzes hoch, weder beim Aufbau noch während der Benutzung des Trampolins.
- Betreten und verlassen Sie das Trampolin ausschließlich durch die Zugangsöffnung des Sicherheitsnetzes. Andere Arten des Betretens oder Verlassens sind nicht zulässig!
- Vermeiden Sie offenes Feuer in unmittelbarer Nähe des Sicherheitsnetzes.
- Tauschen Sie das Sicherheitsnetz nach 5 Jahren oder, wenn es seine Funktion nicht mehr ordnungsgemäß erfüllt, entsprechend früher aus.
- Vor dem Springen immer die Netzöffnung schließen.

2.4 Gebrauchshinweise

Bei der Nutzung des BERG-Trampolins ist eine gute Körperhaltung für richtige Bewegungen erforderlich. Die richtige Körperhaltung und Balance werden durch das Anspannen der Muskeln erreicht. Eine gute Körperhaltung ermöglicht eine sichere Nutzung des Trampolins. Beim Springen wird der Körper Stößen ausgesetzt, die richtig abgefedert werden müssen. Durch eine Anspannung Ihrer Muskeln erlangen Sie eine bessere Kontrolle über Ihr Gleichgewicht und die Sprung- und Rückfederstärke des Körpers erhöht sich. Eine entspanntere Körperhaltung führt zu einem Verlust von Energie und die Sprung- und Rückfederstärke verringert sich. Beginnen Sie mit den elementaren Sprüngen und Sprungpositionen und probieren Sie weiter gehende Techniken nicht aus, bevor Sie diese beherrschen. Das Springen beenden Sie, indem Sie die Knie beugen, sobald Ihre Füße die Matte berühren.

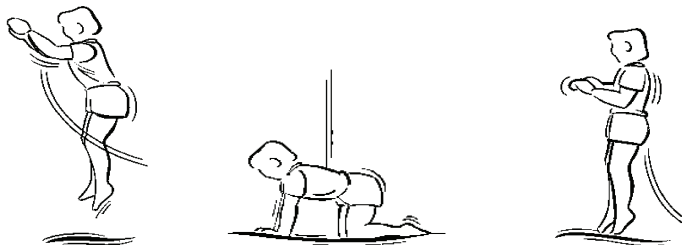
Basissprung

- Stehen Sie aufrecht und halten Sie den Kopf gerade.
- Halten Sie die Augen auf das Springtuch gerichtet.
- Schwingen Sie die Arme in einer Kreisbewegung nach vorne und oben.
- Halten Sie die Füße beieinander und richten Sie die Zehenspitzen während des Springens nach unten.
- Halten Sie die Füße bei der Landung ungefähr vierzig Zentimeter weit auseinander.



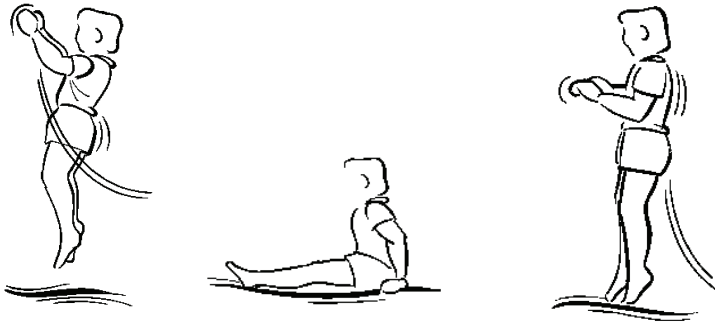
Hand- und Kniesprung

- Beginnen Sie mit dem Basissprung.
- Richten Sie Ihren Blick auf das Sprungtuch.
- Schwingen Sie die Arme in einer Kreisbewegung nach vorne und oben.
- Landen Sie auf Händen und Knien.
- Stoß Sie sich mit den Händen ab und richten Sie sich in aufrechter Haltung wieder auf.



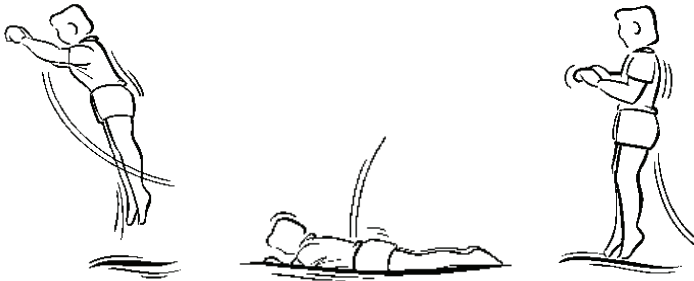
Sitzsprung

- Beginnen Sie mit dem Basissprung.
- Richten Sie Ihren Blick auf das Sprungtuch.
- Landen Sie sitzend.
- Setzen Sie die Hände neben Ihre Hüften auf das Sprungtuch.
- Stoßen Sie sich mit den Händen ab und richten Sie sich in aufrechter Haltung wieder auf.



Bauchsprung

- Beginnen Sie mit dem Basissprung und landen Sie auf dem Bauch.
- Halten Sie den Kopf gerade.
- Halten Sie die Arme vor den Kopf auf dem Sprungtuch.
- Stoßen Sie sich mit dem Händen ab, um sich in aufrechter Haltung wieder aufzurichten.



Rückensprung

- Beginnen Sie mit dem Basissprung und landen Sie auf dem Rücken.
- Halen Sie während der Landung die Knie gegen die Brust angezogen.
- Schwingen Sie die Beine vorwärts und hoch, wenn Sie sich in aufrechter Haltung wieder aufrichten.



3. Pflege und Wartung

Das Wartungshandbuch ist aufzubewahren.

Das BERG-Trampolin wird aus hochwertigen Materialien hergestellt und soll viele Jahre Freude bereiten. Eine ordnungsgemäße Wartung und gute Pflege garantieren eine lange Lebensdauer und helfen, Verletzungen zu vermeiden.

Die nachfolgenden Richtlinien sind zu beachten.

Kontrollieren Sie das BERG-Trampolin vor jedem Gebrauch gemäß den Hinweisen in der Montageanleitung und ersetzen Sie defekte, abgenutzte oder fehlende Teile. Das Unterlassen dieser Kontrollen und eine Vernachlässigung der Wartung können zu Gefahrensituationen und unnötigen Risiken für den Benutzer führen.

Achten Sie auf:

- den Zustand der Verbindungen von Rahmenkomponenten (defekte Schweißnähte oder verbogener Rahmen) .
- den Zustand der Federn (defekte oder überdehnte Federn) und Befestigung der Federn am Rahmen und Sprungtuch. Die Federn samt Aufhängung unterliegen dem Verschleiß. Abgenutzte Teile müssen rechtzeitig ausgetauscht werden.
- den Zustand der Sprungmatte (Beschädigung, falsche Spannung oder durchhängende Matte). Das Sprungtuch unterliegt einem Verschleiß durch Benutzung und Sonneneinstrahlung (UV-Licht). Tauschen Sie das Sprungtuch aus, sobald sich Verschleißerscheinungen zeigen.
- einen fehlenden, falsch angeordneten oder unsicher befestigten Schutzrand.
- Löcher, ausgefranste oder verschlissene Stellen oder Risse in der Matte oder im Schutzrand.
- eine etwaige Verschlechterung in den Nähten oder im Gewebe der Matte oder im Schutzrand.
- hervorstehende Teile am Rahmen. Überprüfen Sie alle Abdeckungen und scharfen Kanten.
- In einigen Ländern können Schneelast und niedrige Temperaturen in der Winterzeit zu Beschädigungen am Trampolin führen. Es wird empfohlen den Schnee zu entfernen und das Sprungtuch, den Schutzrand und den Rahmen mit den Federn im Innenbereich zu lagern.

Wenn das Trampolin kurzzeitig nicht benutzt wird, kann es mit einer BERG-Abdeckhülle vor Blättern, Zweigen u. dgl. geschützt werden. Wird das Trampolin für längere Zeit nicht benutzt (z. B. im Winter), empfehlen wir zur Verlängerung der Lebensdauer des Produkts, das Trampolin und insbesondere den Schutzrand an einem trockenen Ort zu lagern.

Sie können die Sprungmatte und den Schutzrand mit einem Lappen und kaltem Wasser reinigen. Verwenden Sie KEINESFALLS Lösemittel, Spülmittel, Reiniger oder heißes Wasser.

Die Vornahme von Änderungen am Trampolin ist nicht gestattet, da sich daraus ein Sicherheitsrisiko ergeben kann. Es dürfen nur Änderungen vorgenommen werden, die mit BERG abgestimmt oder von BERG empfohlen wurden. Reparaturen dürfen nur von Fachleuten ausgeführt werden. Wenden Sie sich hierzu bitte an Ihren BERG-Händler.

Installieren Sie Zubehör gemäß den mitgelieferten Montageanweisungen.

Wenn das Trampolin bewegt werden muss, wegen der Wartungsbedarf des aktuellen Standorts oder aus anderen Gründen, zerlegen die Anker (falls vorhanden) und bewegen Sie den Trampolin. Heben Sie das Trampolin mit drei erwachsene Männer, durch Anheben des Trampolins an den oberen Schienen und gehen Sie die neue Position. Wenn das Trampolin über eine größere Strecke verschoben werden muss, zerlegen Sie das Trampolin, packen Sie die Teile in der Originalverpackung und montieren wieder am neuen Standort.

Starker Wind und Böen können eine Gefahr für im Freien aufgestellte Trampoline darstellen. Es wird empfohlen, das Trampolin mit Bodenankern zu sichern, um ein Wegwehen oder unkontrollierte Bewegungen durch Windeinwirkung zu verhindern. Oder entfernen Sie die Windfangelemente, wie dem Netz und der Sprungmatte.

Bei der Montage des Trampolins werden selbstsichernde Muttern verwendet. Diese Muttern sind zum einmaligen Gebrauch bestimmt. Wenn das Trampolin nach einer Demontage erneut montiert wird, müssen die selbstsichernden Muttern ausgetauscht werden.

Setzen Sie sich mit unseren Händlern in Verbindung, um Originalteile für das BERG-Trampolin zu bestellen.

4. Garantie

4.1 Garantiezeit

BERG-Trampoline sind hochwertige Geräte. BERG bietet Ihnen Funktion Garantien für jahrelangen sorglosen Spaß. Eine Funktionsgarantie ist eine Garantie auf die funktionale Nutzung des Trampolins. Bitte entnehmen Sie der nachfolgenden Tabelle die Laufzeit dieser Garantie (Jahren).

Rahmen	Schutzrand	Sprungtuch	Federn
10	2	2	5

Auf Sicherheitsnetze und Zubehör wird eine Garantie von 2 Jahren gewährt, mit Ausnahme der Abdeckhülle Basic, für die eine Garantie von 1 Jahr gilt. Verschleißteile (z. B. Gummizüge), die Folgen von Witterungseinflüssen (z. B. Rost und Verfärbung) und der Schaumstoff um die Rohre der Sicherheitsnetze sind von der Garantie ausgeschlossen.

4.2 Garantiebestimmungen

Der Eigentümer des Produkts kann eine Garantie nur durch Vorlage der Originalrechnung über den Kauf bei BERG oder dem Händler, bei dem das Produkt gekauft wurde, geltend machen. Die Garantie gilt ausschließlich für Material- und Konstruktionsfehler bei diesem Produkt oder Teilen hiervon. Die Garantie erlischt, wenn:

- das Produkt falsch, nachlässig oder unsachgemäß verwendet wurde.
- das Produkt nicht in Übereinstimmung mit der Anleitung montiert und gewartet wird.
- technische Reparaturen an dem Produkt nicht fachgerecht ausgeführt werden.
- nachträglich montierte Teile nicht den technischen Spezifikationen des betreffenden Produkts entsprechen oder deren Montage nicht ordnungsgemäß erfolgte.
- wenn Schäden durch Witterungseinflüsse wie Rost, UV-Strahlen oder normaler Verschleiß auftreten.
- Trampoline von BERG Toys unsachgemäß abgesehen werden.
- das Produkt zu Vermietungszwecken verwendet oder auf irgendeine andere Weise mehreren nicht näher bezeichneten Personen zur Verfügung gestellt wird.

Während der Garantiezeit werden sämtliche von BERG anerkannten Material- und Konstruktionsfehler nach dem Ermessen von BERG im Anschluss an eine Prüfung der Sachverhalte durch BERG repariert oder ersetzt. Eine kostenfreie Reparatur erfolgt unter der Voraussetzung, dass die in Ziffer 4.1 genannte Garantiezeit noch läuft.

Die Garantie kann der Eigentümer des BERG-Trampolins nur dann geltend machen, wenn das Produkt von einem BERG-Händler geprüft wird.

Der Eigentümer dieses Produkts kann Ansprüche im Rahmen dieser Garantie nur dann geltend machen, wenn er das Produkt einem BERG-Händler zur Prüfung zur Verfügung stellt. Gleichzeitig muss dem Händler die Originalkaufrechnung ausgehändigt werden. Wenn der Eigentümer umgezogen oder der Händler nicht mehr verfügbar ist, teilt BERG dem Eigentümer auf Anfrage den nächst gelegenen BERG-Händler mit.

Wenn ein Garantieanspruch abgelehnt wird, müssen alle angefallenen Kosten vom Eigentümer bezahlt werden.

Diese Garantie ist nicht auf Dritte übertragbar.

Tables des matières

1. Introduction
2. Instructions pour une utilisation en toute sécurité
 - 2.1 Utilisation prévue
 - 2.1.1 Avant l'utilisation
 - 2.1.2 Pendant l'utilisation
 - 2.2 Restrictions d'utilisation
 - 2.3 Mises en garde
 - 2.4 Instructions d'utilisation
3. Entretien et maintenance
4. Garantie
 - 4.1 Période de garantie
 - 4.2 Conditions de garantie

Introduction

La pratique du trampoline est une source de plaisir et une activité saine. En plus d'être une occupation agréable, le trampoline contribue également à réduire le stress, à améliorer la condition physique et la circulation sanguine. Le trampoline est pour tous les âges.

Nous espérons que vous tirerez beaucoup de plaisir de votre trampoline et vous remercions chaleureusement pour l'achat de trampoline BERG.

Pour des années d'utilisation sans souci, vous trouverez dans ce manuel des astuces pour le montage, une utilisation en toute sécurité ainsi que des instructions de saut. Le saut en trampoline n'est pas une activité dangereuse, à condition de respecter les instructions de sécurité.

Le châssis de ce trampoline BERG a été galvanisé pour le protéger de la corrosion. De plus, si vous observez les conseils sur l'entretien et les soins à apporter à votre trampoline, celui-ci vous assurera de longues années de plaisir.

Nous vous conseillons d'étudier consciencieusement ce manuel avant utilisation du trampoline BERG et de le conserver.

BERG espère que vous sauterez de plaisir!

2. Instructions pour une utilisation en toute sécurité

BERG ou le revendeur ne peuvent être tenus responsables d'une utilisation inappropriée du produit. Veuillez lire attentivement les présentes instructions et informer l'utilisateur sur la manière d'utiliser ce produit correctement et en toute sécurité. Vous pouvez contacter votre revendeur si vous désirez des informations complémentaires sur le trampoline.

2.1 Utilisation prévue

Utilisez uniquement votre produit BERG comme indiqué ci-dessous. Les utilisations non autorisées peuvent provoquer de graves blessures de l'utilisateur et/ou endommager le produit. Lisez toutes les instructions avant d'utiliser le trampoline. Les mises en garde et les instructions relatives à l'entretien, à la maintenance et à l'utilisation du trampoline visent une utilisation en toute sécurité et agréable de cet équipement. Le trampoline est pas destinée à être enterrée dans le sol.

2.1.1 Avant l'utilisation

- Nous vous recommandons de porter des gants de travail, lors de l'installation des produits.
- Afin d'éviter toute blessure, inspectez le trampoline BERG avant chaque utilisation, en vous référant aux instructions d'assemblage. Remplacez tout composant usé, défectueux ou manquant. Assurez-vous également que la bordure de protection soit mise en place correctement.
- Veillez à ce qu'aucune personne ou aucun objet ne se trouve sous le trampoline BERG. Assurez-vous que l'espace en dessous du trampoline BERG soit débarrassé d'obstacles et d'objets. Veillez à ce qu'aucune personne ou aucun animal ne se trouve sous le trampoline.
- Contrôlez que le trampoline BERG soit de niveau. À cet effet, vous pouvez recourir à un niveau à bulle ou mettre un ballon au milieu de la toile puis ajuster la hauteur des pieds concernés jusqu'à ce que le ballon reste bien au milieu.
- N'utilisez le trampoline BERG que lorsqu'il est propre et sec.
- Pour toute information relative aux entraînements et sauts, consultez un instructeur agréé.
- Avant de commencer à sauter, enlevez vos chaussures, lunettes, chaînettes, ornements, boucles d'oreilles et autres objets acérés et videz également vos poches.
- Tout autour du trampoline, prévoyez un espace libre de 2 mètres minimum, sans arbres, clôtures ni autres obstacles.
- Au-dessus du trampoline, l'espace libre doit être de 7 mètres minimum, comptés à partir du sol.
- Les BERG trampoline ne doivent pas être installés sur du béton, ni de l'asphalte ou toute autre surface dure. Ni à proximité d'autres installations contradictoires (par exemple, piscine, balançoires, toboggans, murs d'escalade...).

2.1.2 Pendant l'utilisation

- Seule une personne à la fois doit utiliser le trampoline BERG.
- Les enfants et les débutants doivent toujours sauter sous la supervision d'un adulte expérimenté.
- Ne sautez sur le trampoline BERG qu'à pieds nus ou en chaussettes.
- Apprenez bien les sauts et positions de base avant d'essayer des mouvements plus difficiles. Pour s'exercer, il est possible de réaliser différentes séries et combinaisons de mouvements de base, avec ou sans sauts.
- Évitez de sauter trop haut. Faites de petits sauts jusqu'à ce que vous ayez une bonne maîtrise et que vous atterissiez au centre du trampoline. La maîtrise est plus importante que la hauteur.

2.2 Restrictions d'utilisation

- Une seule personne à la fois doit sauter sur le trampoline. Il y a risque de graves blessures si plusieurs personnes sautent en même temps.
- Le trampoline BERG ne devrait pas être utilisé par les enfants âgés de moins de 6 ans.
- Évitez de sauter lorsque vous êtes fatigué. Ne sautez pas trop longtemps.
- Évitez de sauter sur le bord de la toile de saut et sur la bordure de protection. Sautez toujours au centre du trampoline.
- Ne vous asseyez pas ou ne restez pas debout sur les ressorts. Ne sautez jamais sur les ressorts.
- N'utilisez pas le trampoline BERG si vous avez consommé de l'alcool ou des drogues.
- Ne sautez que lorsque la toile de saut est sèche. Il ne doit pas y avoir trop de vent. Il ne faut pas utiliser le trampoline BERG en cas de rafales ou de bourrasques de vent.
- N'autorisez pas les animaux domestiques à monter sur le trampoline BERG, afin d'éviter des endommagement de la bordure de protection ou de la toile.



2.3 Mises en garde

- N'essayez pas de faire des sauts périlleux. Si vous retombez sur la tête ou la nuque, il y a risque de graves blessures, de paralysie voire de mort, même si vous atterrissez au centre de la toile.
- Seule une personne à la fois doit utiliser le trampoline. Risque de collision. L'utilisation du trampoline par plusieurs personnes à la fois peut entraîner de graves blessures.
- Le trampoline BERG a été conçu pour être utilisé par une seule personne à la fois. Le poids de l'utilisateur ne doit pas dépasser: 120kg
- Le trampoline ne doit être utilisé que sous la supervision d'un adulte bien informé.
- Le trampoline BERG est seulement pour l'usage extérieur.
- Les enfants âgés de moins de 6 ans ne devraient pas utiliser le trampoline BERG.
- Contrôlez le trampoline BERG avant chaque utilisation selon les instructions de montage et d'entretien. Vérifiez que la bordure de protection soit mise en place correctement. Remplacez tout composant usé, défectueux ou manquant. Si ces contrôles ne sont pas effectués, le trampoline peut mettre son utilisateur en danger.
- Montez ou descendez du trampoline BERG avec précaution. Il est dangereux de sauter sur le trampoline pour y monter ou de sauter sur le sol pour en descendre. N'utilisez pas le trampoline comme tremplin pour accéder à d'autres objets.
- Sautez toujours au centre de la toile de saut. Évitez de sauter sur le bord de la toile et la bordure de protection.
- Interrompez le saut en pliant les genoux dès que vos pieds touchent la toile de saut. Apprenez cette technique de base avant de vous perfectionner.
- Apprenez bien les sauts et positions de base avant d'essayer des mouvements plus difficiles. Pour s'exercer, il est possible de réaliser différentes séries et combinaisons de mouvements de base, avec ou sans sauts.
- Évitez de sauter trop haut. Faites de petits sauts jusqu'à ce que vous ayez une bonne maîtrise et que vous atterrissez au centre du trampoline. La maîtrise est plus importante que la hauteur.
- Tenez la tête bien droite et dirigez les yeux vers le périmètre du trampoline. Vous apprendrez ainsi à maîtriser les sauts.
- Évitez de sauter lorsque vous êtes fatigué. Ne sautez pas trop longtemps.
- Rangez bien le trampoline quand vous ne l'utilisez pas. Protégez-le contre toute utilisation non autorisée. Si présente, enlevez l'échelle quand le trampoline n'est pas utilisé afin d'éviter que des enfants ne montent dessus.
- Maintenez éloignés les objets et obstacles qui pourraient gêner l'utilisateur. Faites en sorte que l'espace situé autour du trampoline soit vide.
- Avant de commencer à sauter, enlevez vos lunettes, chaînettes, ornements, boucles d'oreilles et autres objets acérés et videz vos poches pour éviter de vous blesser et d'endommager le trampoline.
- N'utilisez pas le trampoline si vous avez consommé de l'alcool ou des drogues.
- Ne mangez pas en sautant sur le trampoline BERG.
- Contactez le fabricant si vous désirez d'autres informations sur le trampoline.
- Ne sautez sur le trampoline que si la toile de saut est sèche. Il ne doit pas y avoir trop de vent. Il ne faut pas utiliser le trampoline en cas de rafales ou de bourrasques de vent.
- Lisez toutes les instructions avant d'utiliser le trampoline. Les mises en garde et les instructions relatives à l'entretien, à la maintenance et à l'utilisation du trampoline visent une utilisation en toute sécurité et agréable.
- Aucune personne ou aucun objet ne doit être présent sous le trampoline quand quelqu'un l'utilise.
- Limitez la durée d'utilisation continue (prendre des pauses fréquentes).
- Ne pas utiliser en condition de vent fort et arrimer le trampoline.
- Le trampoline doit être monté par un adulte conformément à la notice de montage, et vérifié avant la première utilisation.
- Ne pas utiliser le tapis lorsqu'il est mouillé.
- Ne convient pas aux enfants de moins de 36 mois. Risque de chute.
- Sauter sans chaussures.

Avertissements spécifiques au filet de sécurité

- N'essayez pas de sauter au-dessus du bord supérieur du filet de sécurité
- N'essayez pas de passer sous la partie inférieure du filet de sécurité
- Utilisez le filet de sécurité par mesure de sécurité, le filet est destiné à sécuriser le saut sur trampoline. Ne sautez pas intentionnellement dans le filet. Ne vous accrochez pas au filet de sécurité ou ne grimpez pas sur le filet de sécurité.
- Assurez-vous que les vêtements de l'utilisateur n'aient aucuns crochets, boucles, cordons ou qu'ils ne puissent pas s'accrocher au filet de sécurité.
- N'attachez au filet de sécurité que les accessoires qui sont approuvés par BERG ou qui font partie du filet de sécurité.
- N'utilisez pas les poteaux du filet pour faire de l'escalade. Que ce soit pendant la construction du trampoline ou pendant l'utilisation du trampoline.
- Utilisez l'ouverture d'entrée du filet de sécurité pour monter sur ou pour descendre du trampoline. D'autres méthodes d'accès au trampoline ne sont pas autorisées.
- Évitez un feu ouvert dans les environs immédiats du filet.
- Remplacez le filet de sécurité après 5 ans d'utilisation, ou lorsque le filet ne fonctionne plus correctement.
- Toujours fermer l'ouverture du filet avant de sauter.

2.4 Instructions d'utilisation

Pour faire des mouvements adéquats, il faut adopter la bonne position. C'est en tendant les muscles que l'on obtient la bonne position et l'équilibre nécessaire.

Une bonne position permet une utilisation sûre du trampoline. Pendant les sauts, le corps est exposé à des chocs qui doivent être amortis correctement. En tendant vos muscles, vous parvenez à un meilleur équilibre et vous augmentez la force de saut et de rebond de votre corps. Si la position est plus relâchée, il y aura une perte d'énergie et la force de saut et de rebond diminuera. Commencez par des sauts et des positions de base et ne faites pas de mouvements plus difficiles avant de bien maîtriser les fondements. Interrompez le saut en pliant les genoux dès que vos pieds touchent la toile de saut.

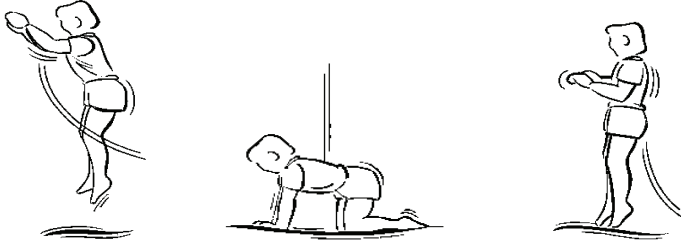
Saut de base

- Tenez-vous debout et gardez la tête droite.
- Gardez les yeux orientés sur le tapis de saut.
- Balancez les bras en avant et en haut dans un mouvement circulaire.
- Gardez les pieds côte à côte et orientez les orteils vers le bas au cours du saut.
- Gardez les pieds lors de l'atterrissage à environ quarante centimètres l'un de l'autre.

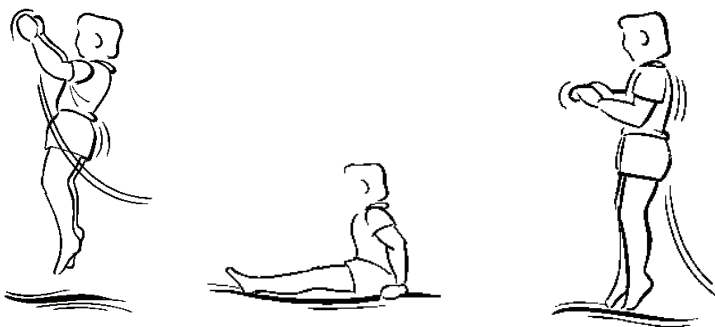


Saut sur mains et genoux

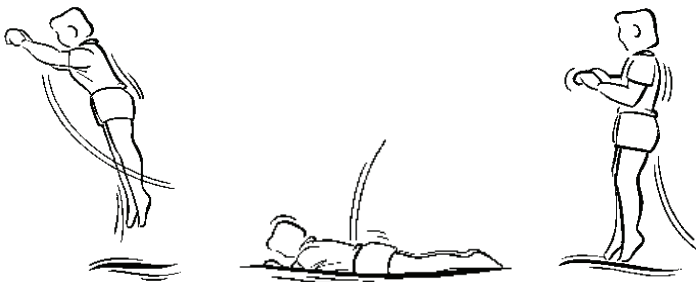
- Démarrez par le saut de base
- Gardez les yeux orientés sur le tapis de saut.
- Balancez les bras en avant et en haut dans un mouvement circulaire.
- Retombez sur les mains et les genoux.
- Repoussez avec les mains et retombez debout en posture droite.

*Saut sur siège*

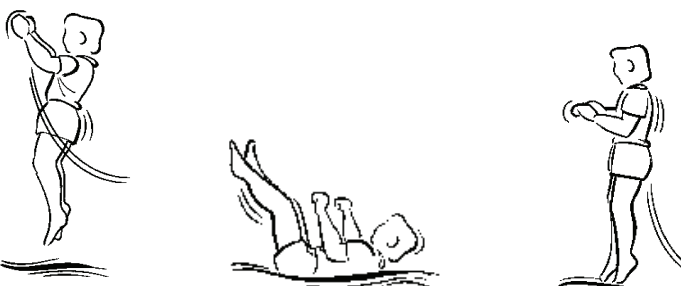
- Démarrez par le saut de base.
- Gardez les yeux orientés sur le tapis de saut.
- Retombez en position assise.
- Placez les mains à côté des hanches sur le tapis de saut.
- Repoussez avec les mains et retombez debout en posture droite.

*Saut ventral*

- Démarrez par le saut de base et retombez sur le ventre.
- Gardez la tête droite.
- Gardez les bras devant la tête sur le tapis de saut.
- Repoussez avec les bras pour revenir droit.

*Saut dorsal*

- Démarrez par le saut de base et retombez sur le dos.
- Gardez le menton serré contre la poitrine lors du retou.
- Lancez les jambes en avant et en haut lorsque vous revenez debout.



3. Entretien et maintenance

Conservez ce manuel et les instructions pour l'entretien.

Les trampolines BERG sont fabriqués avec des matériaux de qualité supérieure. Le fabricant vise une utilisation agréable pendant plusieurs années. De bons soins et une maintenance correcte assurent une longue durée de vie et permettent d'éviter les blessures.

Respectez les instructions suivantes.

Remplacez les composants défectueux, usés ou manquants. L'ignorance de ces inspections et l'absence de maintenance régulière pourraient entraîner des situations dangereuses et des risques inutiles pour l'utilisateur.

Faites attention aux points suivants :

- État des articulations des composants du cadre (soudures cassées ou cadre plié).
- État des ressorts (ressorts cassés ou fortement étirés) et la fixation des ressorts sur le cadre et le tapis de saut. Les ressorts et la suspension des ressorts sont sujets à l'usure, remplacez les pièces usées en temps utile.
- Vérifiez que les boulons sont bien fixés et fixez-les encore une fois si nécessaire. Vérifiez les fixations (goupilles) ou assurez-vous qu'elles ne se détachent pas en sautant.
- État de la toile de saut (endommagements, tension incorrecte ou affaissement).
- Le tapis de saut s'use à cause de l'utilisation du trampoline et à cause de l'exposition au soleil (rayons UV). Remplacez-le à temps quand son état se détériore.
- Bordure de protection manquante, placée de manière incorrecte ou fixée de manière dangereuse.
- Endommagements, effilochements, déchirures ou trous dans la toile de saut ou la bordure de protection.
- Détérioration des coutures ou de la structure de la toile de saut ou de la bordure de protection.
- Saillies acérées sur le cadre. Vérifiez tous les couvercles et les arêtes vives.
- Dans certains pays, pendant la période d'hiver, la charge de neige et les températures très basses peuvent endommager le trampoline. Il est recommandé d'enlever la neige et de stocker le tapis de saut, le coussin de protection et le filet de protection à l'intérieur.

Quand le trampoline n'est pas utilisé pendant une courte période, on peut le recouvrir si nécessaire avec une housse de protection BERG, le protégeant par exemple des feuilles et des brindilles. Quand le trampoline n'est pas utilisé pendant une longue période (par exemple pendant l'hiver), nous vous recommandons de ranger le trampoline et en tout cas la bordure de protection dans un endroit sec pour prolonger la durée de vie du produit.

Vous pouvez nettoyer la toile de saut et la bordure de protection avec un chiffon et de l'eau froide. N'utilisez JAMAIS de solvants, de produit lave-vaisselle, de détergents ou d'eau chaude.

Il n'est pas autorisé d'apporter des modifications ou des changements au trampoline. Cela peut vous mettre en danger. Seules les modifications qui sont approuvées par, ou conformes aux indications de BERG, sont autorisées. Toutes les réparations doivent être effectuées professionnellement. Adressez-vous à votre revendeur BERG.

Installez les accessoires selon les instructions d'installation ci-jointes.

Des vents forts et rafales peuvent présenter un danger pour les trampolines se trouvant à l'extérieur. Nous vous recommandons d'ancrer le trampoline avec le kit d'ancrage pour empêcher le trampoline de faire des mouvements imprévus ou d'être emporté par le vent. Ou supprimer les éléments de prise du vent tels que le net et le tapis de saut.

Le montage du trampoline comprend des éléments de fixation et d'assemblage avec écrous autobloquants. Ces écrous autobloquants ne doivent être utilisés qu'une seule fois et doivent être remplacés lors du démontage ou du remontage.

Contactez nos revendeurs pour commander des pièces d'origine.

4. Garantie

4.1 Période de garantie

Les trampolines BERG sont des équipements de qualité supérieure. BERG vous offre Garantie fonctionnelle pour vous assurer une utilisation agréable et sans problèmes pendant de longues années. Une garantie fonctionnelle est une garantie portant sur l'utilisation fonctionnelle du trampoline. Veuillez consulter le tableau ci-dessous pour prendre connaissances des conditions (années).

Châssis	Coussin de protection	Tapis de saut	Ressorts
10	2	2	5

Le filet de sécurité et les accessoires présentent une garantie de 2 ans sauf la housse de protection Basic qui a une période de garantie de 1 an. Les pièces d'usure et les composants pouvant se déchirer (tels que les élastiques) ainsi que les effets climatologiques (rouille et décoloration par exemple) et la mousse sur les poteaux des filets de sécurité sont exclus de la garantie.

4.2 Conditions de garantie

Le propriétaire du produit ne peut faire valoir son droit à la garantie que sur présentation du ticket de caisse original de BERG ou du revendeur chez lequel il a acheté le produit. La garantie s'applique exclusivement aux défauts de matériel et de construction, pour le produit ou ses composants. La garantie échoit dans les cas suivants :

- le produit est utilisé de manière erronée, négligente ou inappropriée.
- Le produit n'a pas été assemblé et n'est pas entretenu conformément aux instructions.
- Les réparations techniques n'ont pas été réalisées de manière professionnelle.
- Les composants mis en place ne correspondent pas aux spécifications techniques du produit ou l'installation n'a pas été réalisée correctement.
- Les dommages provoqués par les effets climatologiques (rouille, rayons ultraviolets) ou une usure ou détérioration normale.
- Abaissement incorrect des trampolines BERG Toys.
- Le produit est loué ou mis à disposition, d'une autre manière, de personnes non spécifiées.

Pendant la période de garantie, tous les défauts de matériaux et de construction établis par BERG seront réparés ou remplacés, au choix de BERG. Les réparations seront effectuées gratuitement si la période de garantie mentionnée au point 4.1 est encore valable.

Le propriétaire du trampoline BERG ne peut faire appel à la garantie que si le produit a été inspecté par un revendeur BERG.

Le propriétaire du produit ne peut faire de revendications liées à la garantie que s'il fournit le produit au revendeur BERG pour inspection. La facture d'achat originale doit également être remise au revendeur. Si le propriétaire a déménagé ou que le revendeur a cessé ses activités, BERG communiquera au propriétaire, à sa demande, l'emplacement du revendeur BERG le plus proche.

Si la revendication liée à la garantie est refusée, tous les frais engagés seront à la charge du propriétaire.

La présente garantie ne peut pas être transférée à des tiers.



Product Registration



Gefeliciteerd met de aanschaf van uw BERG!

Registreer uw BERG online en ontvang **extra voordeel!**

Bekijk snel uw voordeel op www.bergtoys.com.

Herzlichen Glückwunsch zum Erwerb Ihres BERG!

Registrieren Sie Ihren BERG online und sichern.

Sie sich **zusätzliche Vorteile!**

Schauen Sie gleich auf www.bergtoys.com nach, welche Vorteile wir Ihnen bieten.

Congratulations on your BERG purchase!

Register your BERG online and receive **extra benefits!**

View your benefits now at www.bergtoys.com.

Vous avez acheté un produit BERG et nous vous en félicitons!

Enregistrez votre produit BERG en ligne et profitez **d'avantages supplémentaires!**

Regardez vite votre avantage sur www.bergtoys.com



www.bergtoys.com