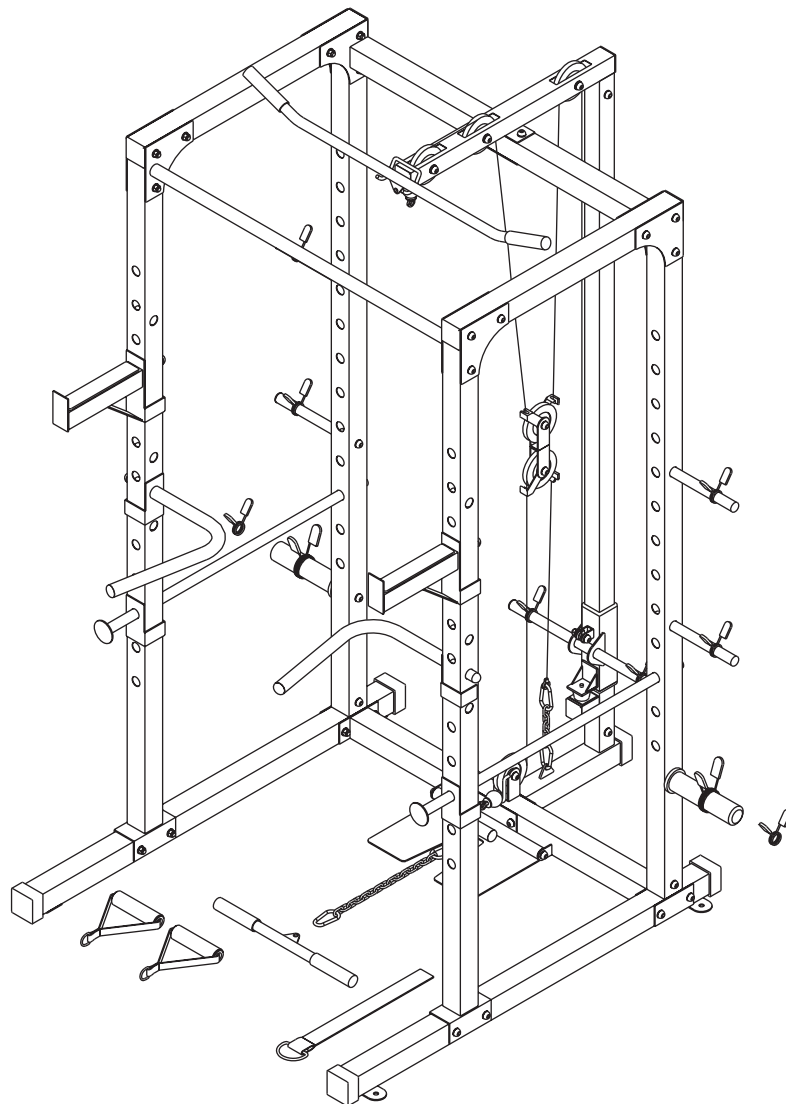
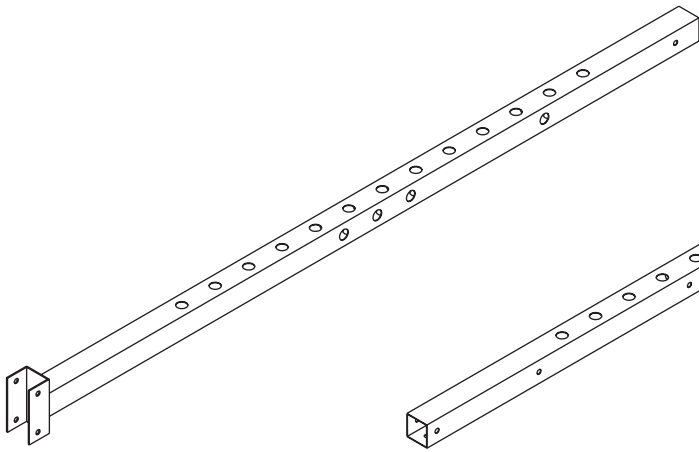


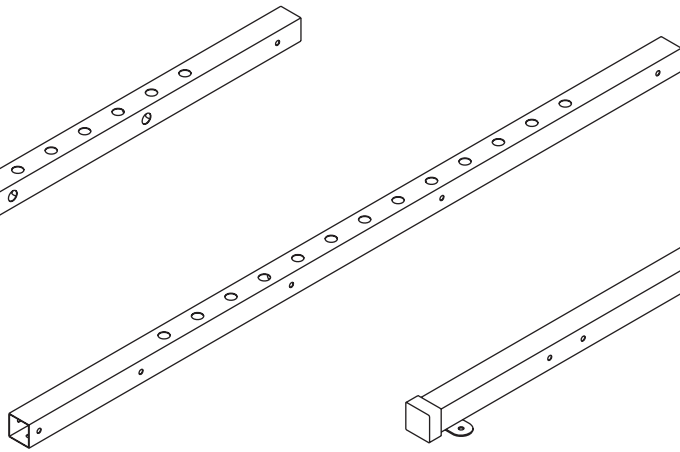


HOME RIG ADBE-10500

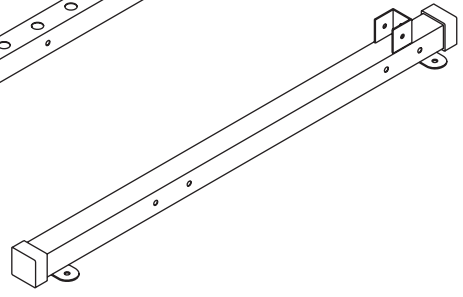




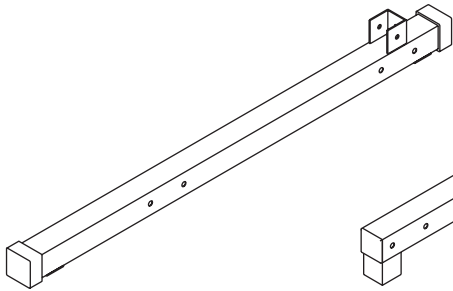
No.1 x 2



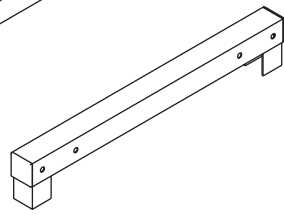
No.2 x 2



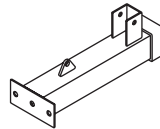
No.3 x 1



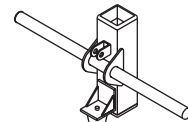
No.4 x 1



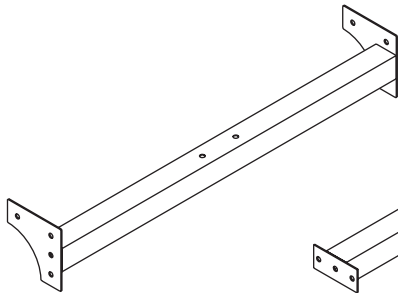
No.5 x 2



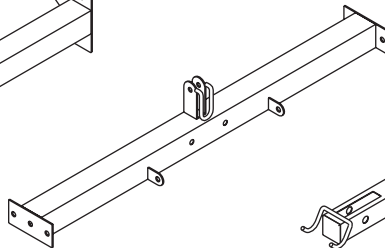
No.6 x 1



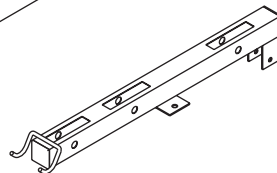
No.7 x 1



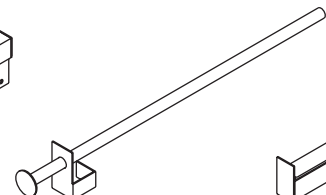
No.8 x 1



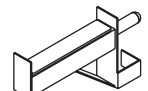
No.9 x 1



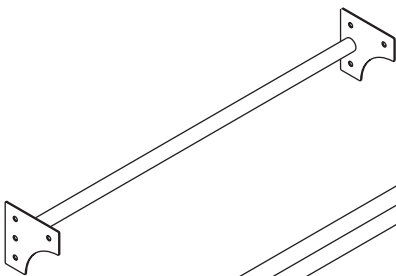
No.11 x 1



No.12 x 2



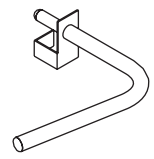
No.13 x 2



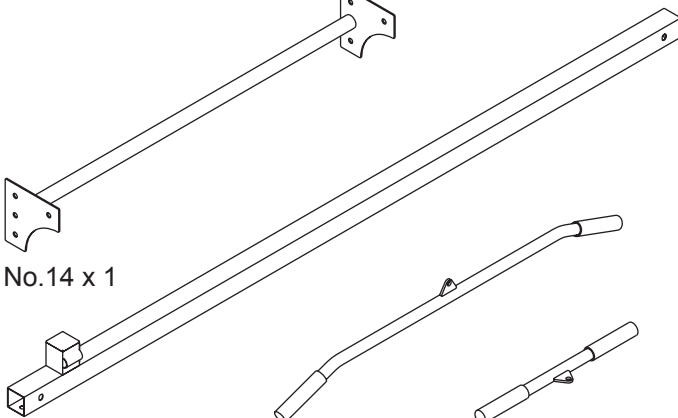
No.14 x 1



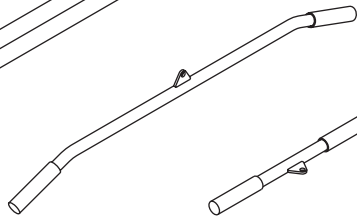
No.15 x 1



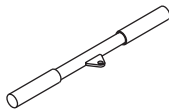
No.16 x 1



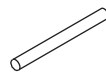
No.10 x 1



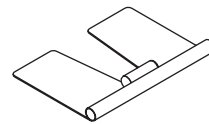
No.17 x 1



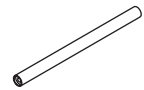
No.18 x 1



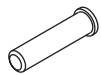
No.19 x 6



No.20 x 1



No.21 x 1



No.22 x 2



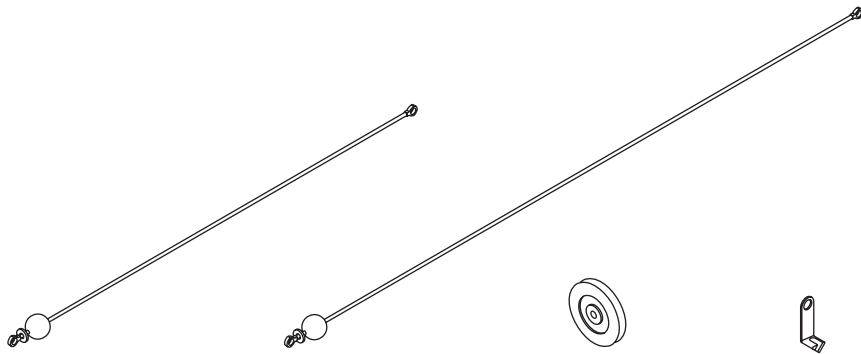
No.23 x 4



No.24 x 4



No.25 x 1



No.44 x 1

No.45 x 1



No.46 x 6



No.47 x 4



No.48 x 6



No.49 x 1



No.50 x 1



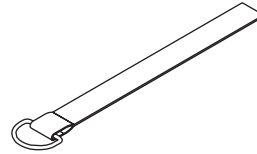
No.51 x 4



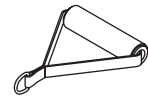
No.52 x 8



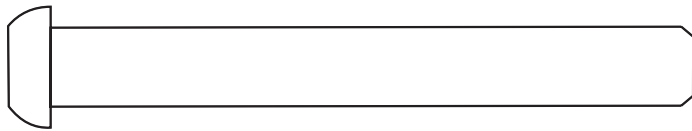
No.53 x 2



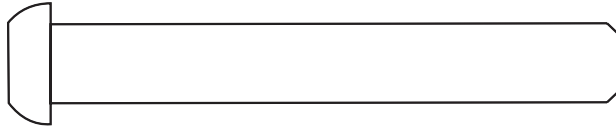
No.54 x 1



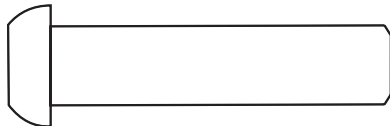
No.55 x 2



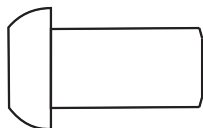
M10x85mm Bolt / Perno / Boulon (26)



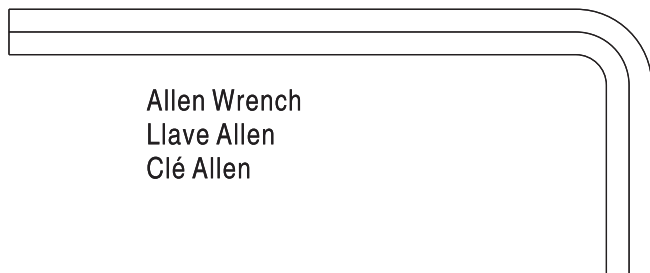
M10x75mm Bolt / Perno / Boulon (27)



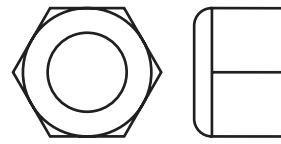
M10x45mm Bolt / Perno / Boulon (28)



M10x20mm Bolt / Perno / Boulon (29)



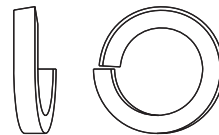
Allen Wrench
Llave Allen
Clé Allen



M10 Nylon Locknut
Écrou en Nylon /
Contratuercas de nilón (30)

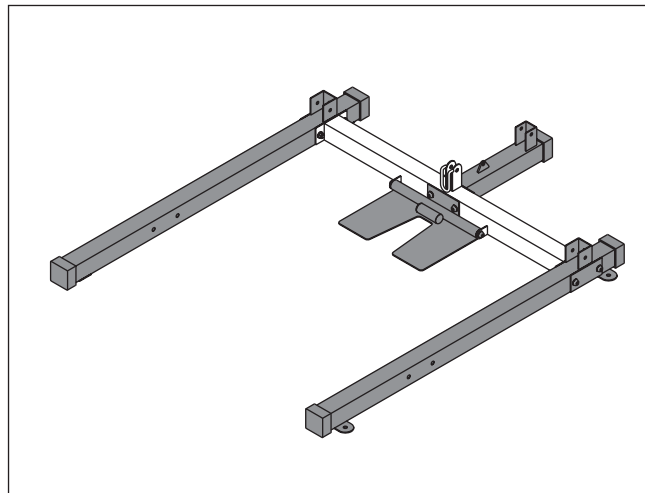
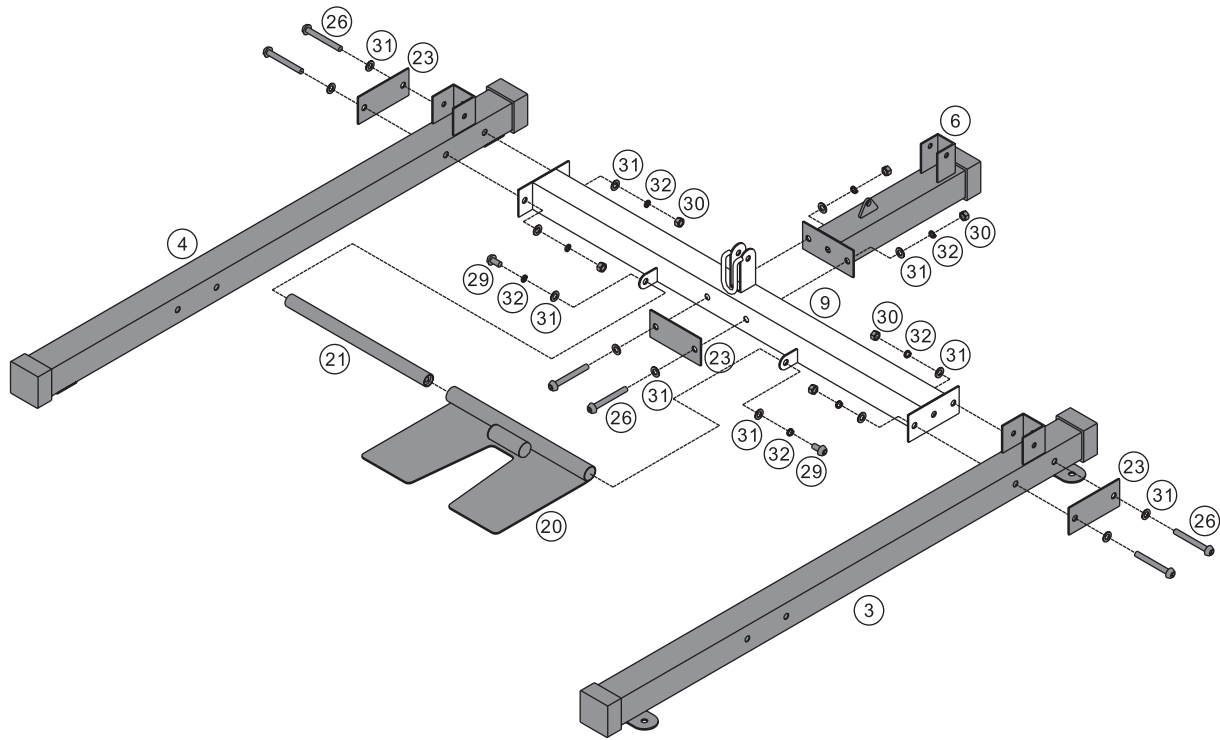
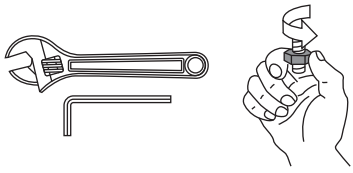




M10 Washer
Arandela / Rondelle (31)

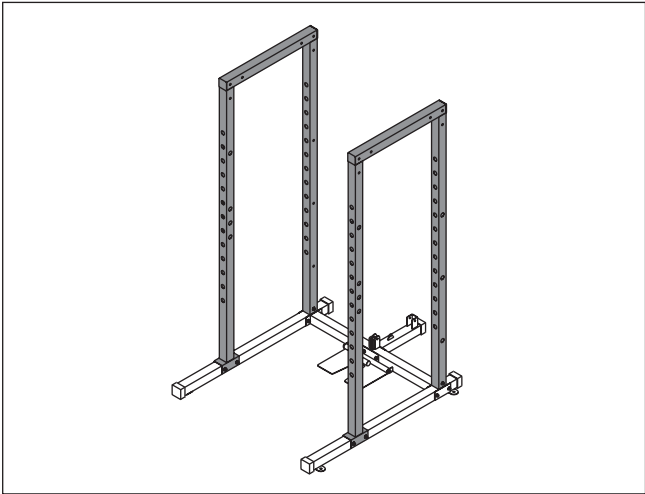
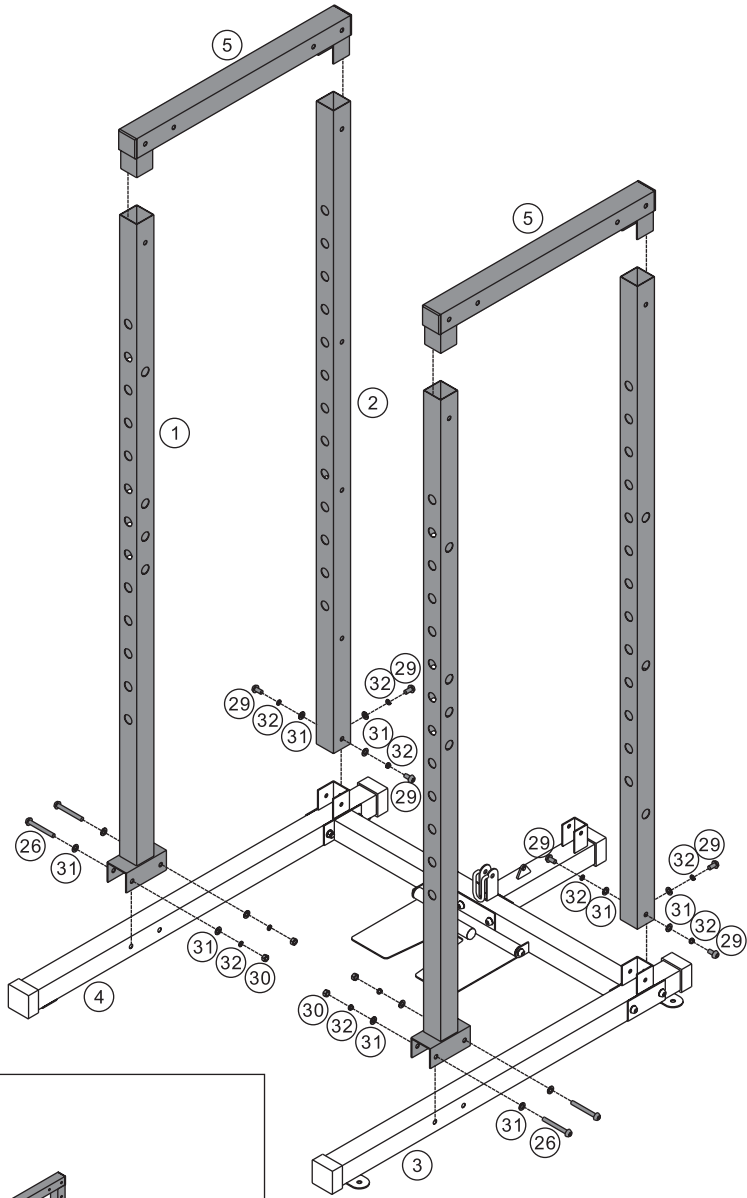
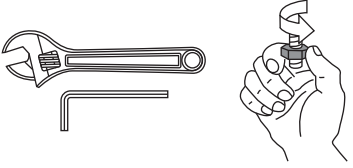



M10 Spring Washer (32)

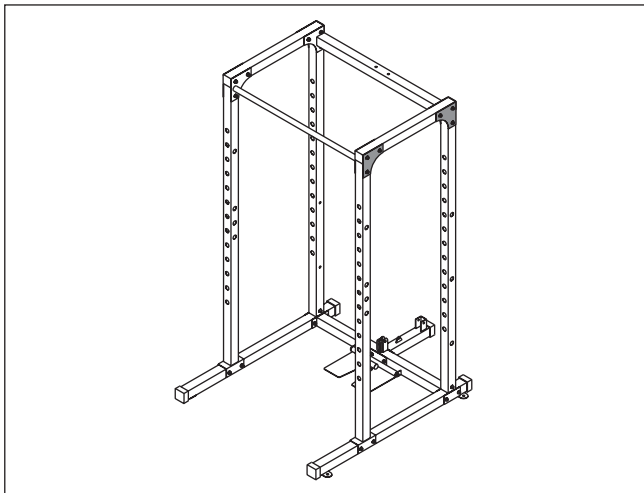
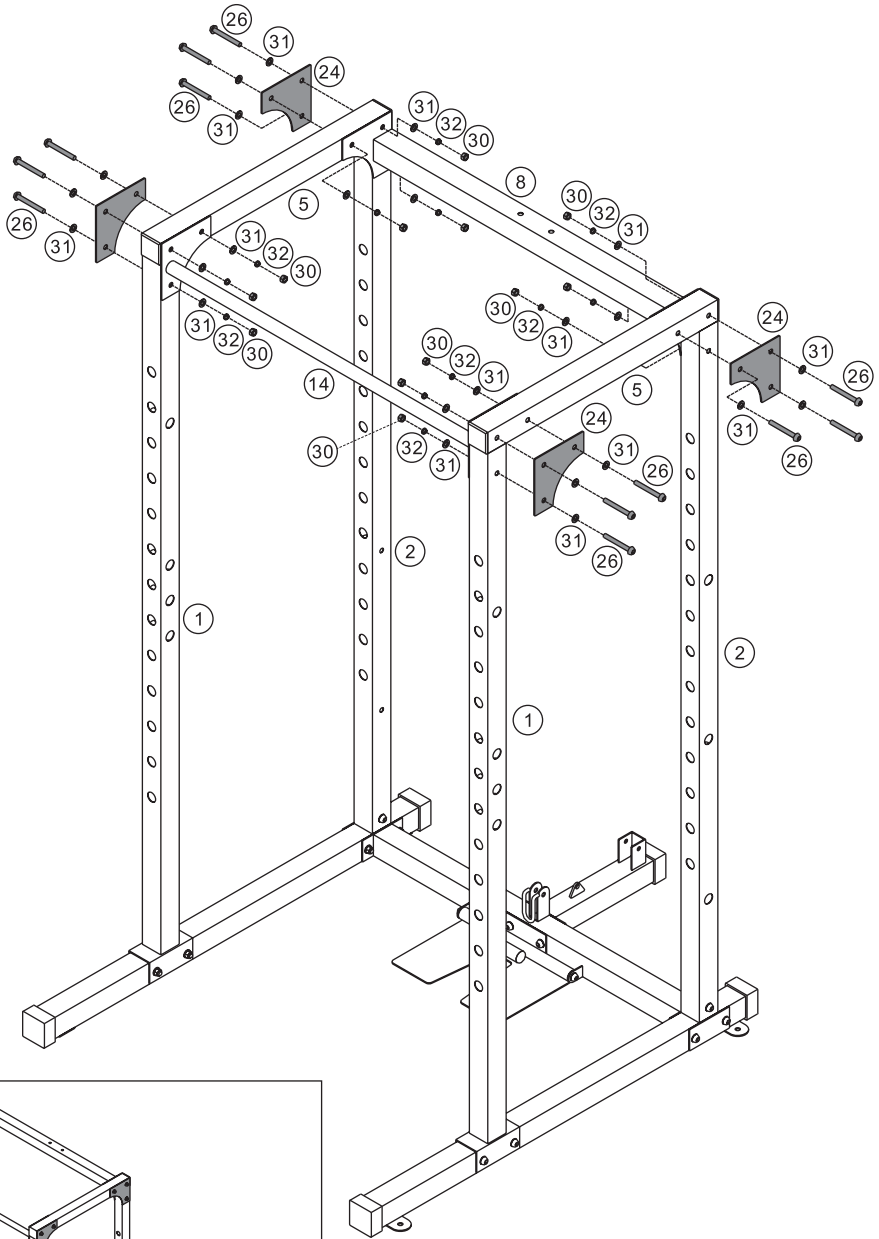
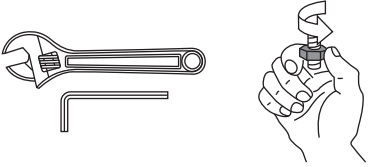
- | | | |
|----|---|---------------|
| ②6 |  | ×6 M10×85mm |
| ②9 |  | ×2 M10×20mm |
| ③0 |   | ×6 M10 |
| ③1 |  | ×14 Ø20xØ10.5 |
| ③2 |   | ×8 M10 |

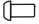




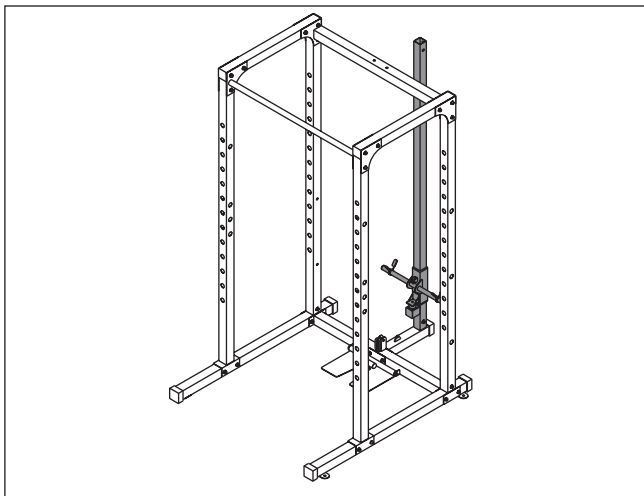
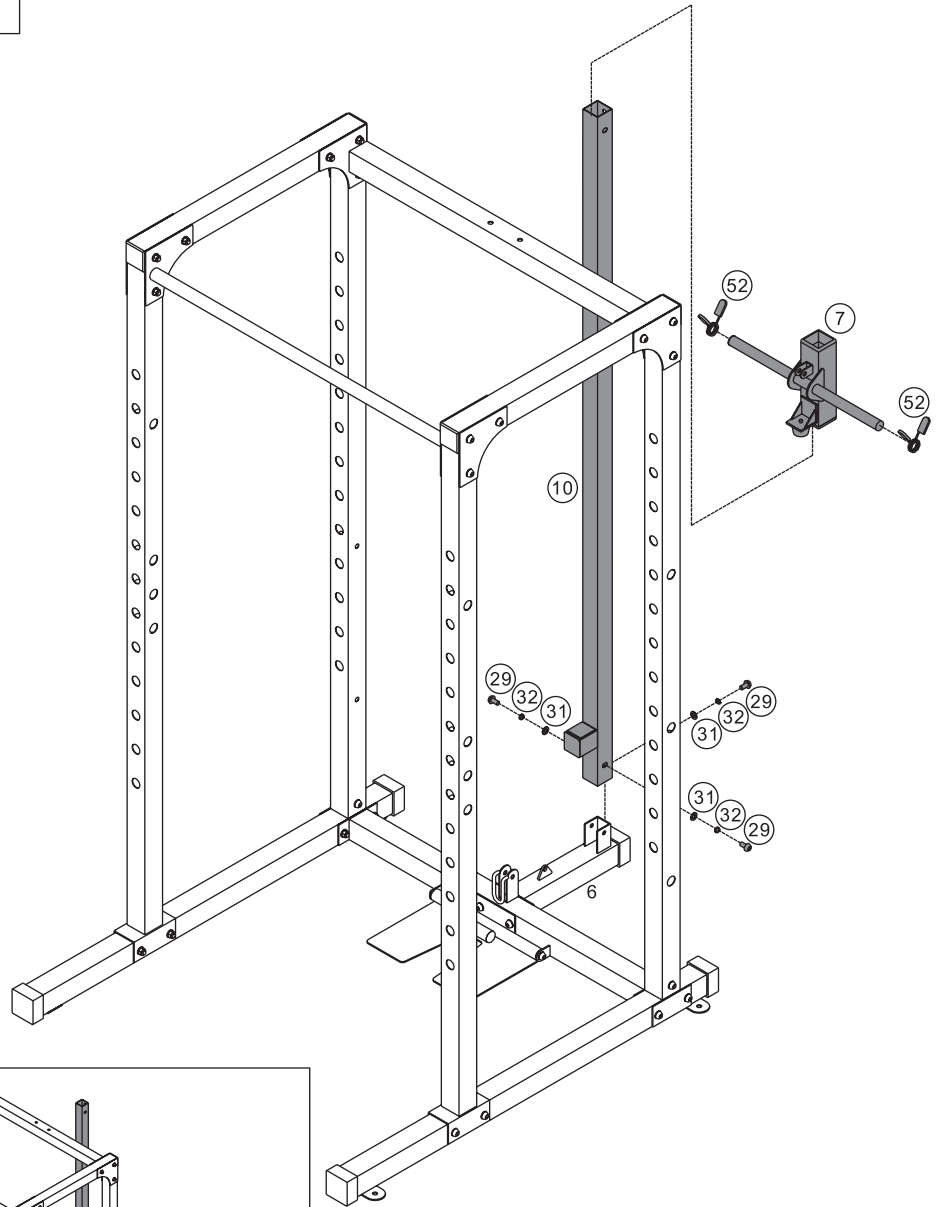
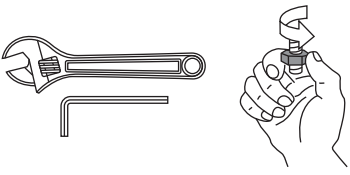
- | | | |
|----|---|---------------|
| ②6 |  | ×4 M10×85mm |
| ②9 |  | ×6 M10×20mm |
| ③0 |   | ×4 M10 |
| ③1 |  | ×14 Ø20×Ø10.5 |
| ③2 |  | ×10 M10 |



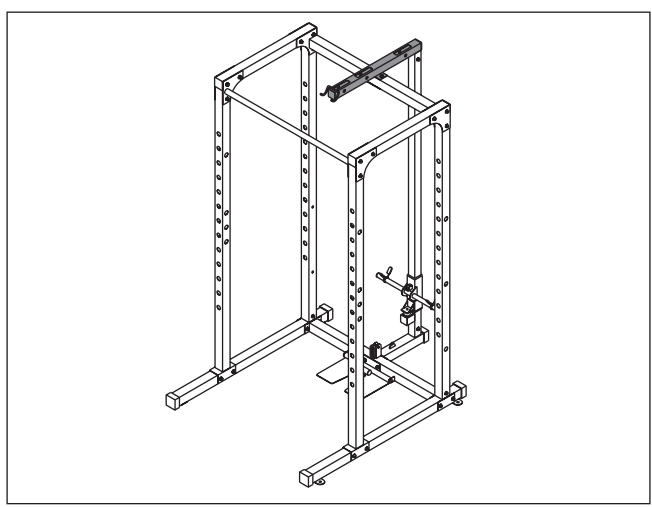
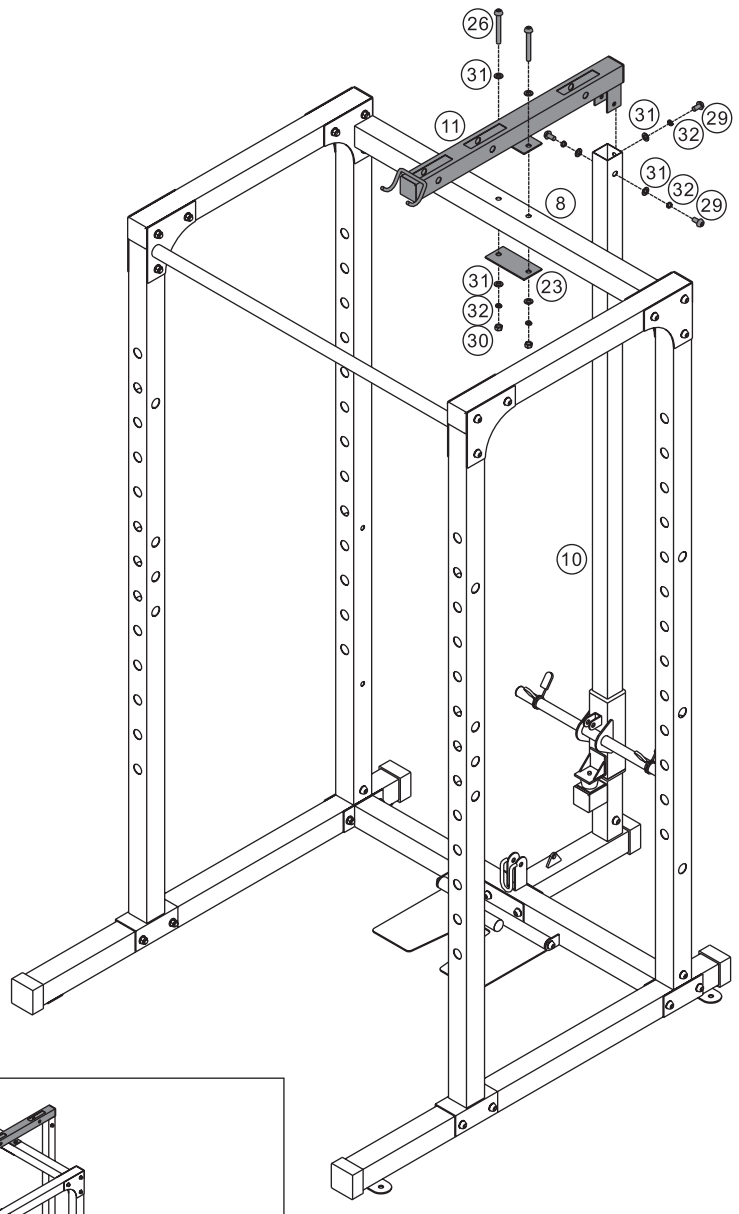
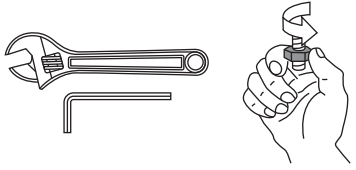
- | | | |
|----|---|---------------|
| ②6 |  | ×12 M10×85mm |
| ③0 |  | ×12 M10 |
| ③1 |  | ×24 Ø20×Ø10.5 |
| ③2 |  | ×12 M10 |






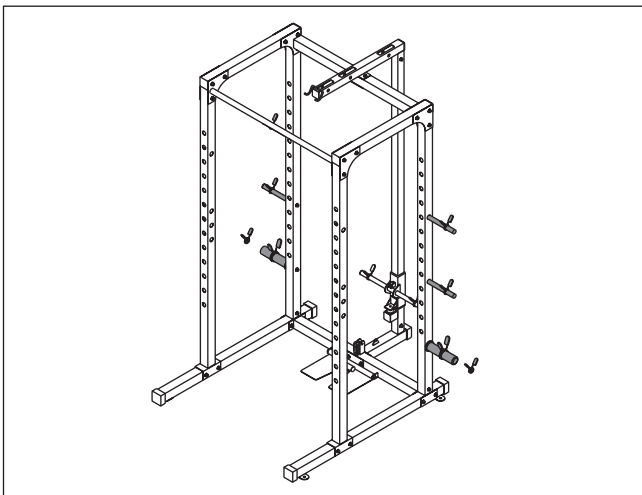
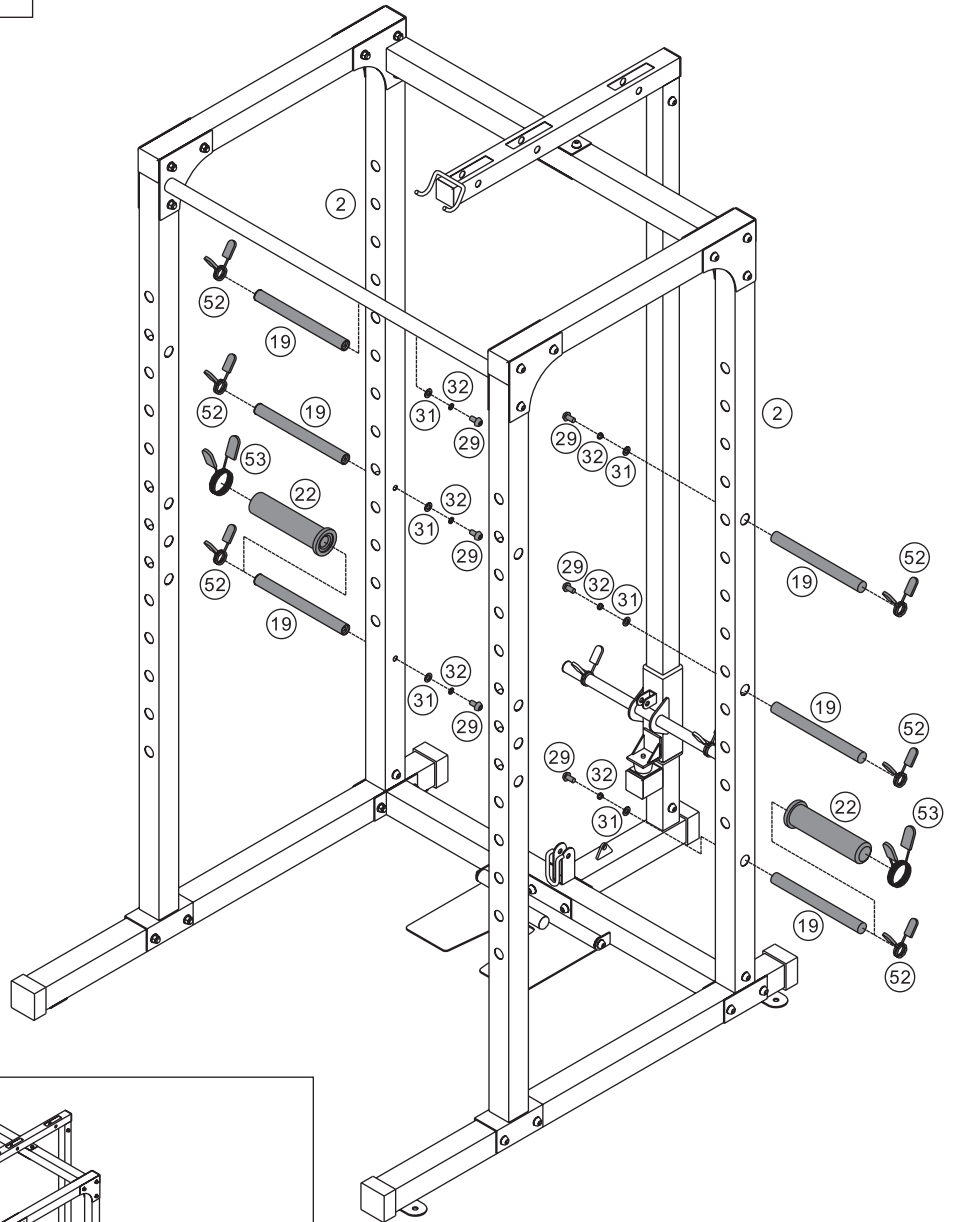
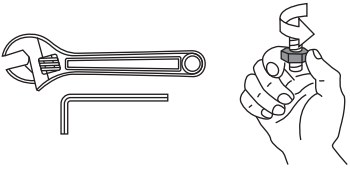
- | | | |
|----|---|--------------|
| ②9 |  | ×3 M10×20mm |
| ③1 |  | ×3 Ø20×Ø10.5 |
| ③2 |  | ×3 M10 |

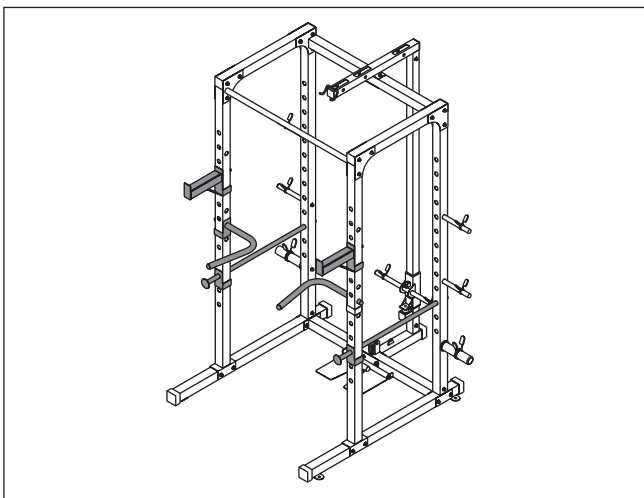
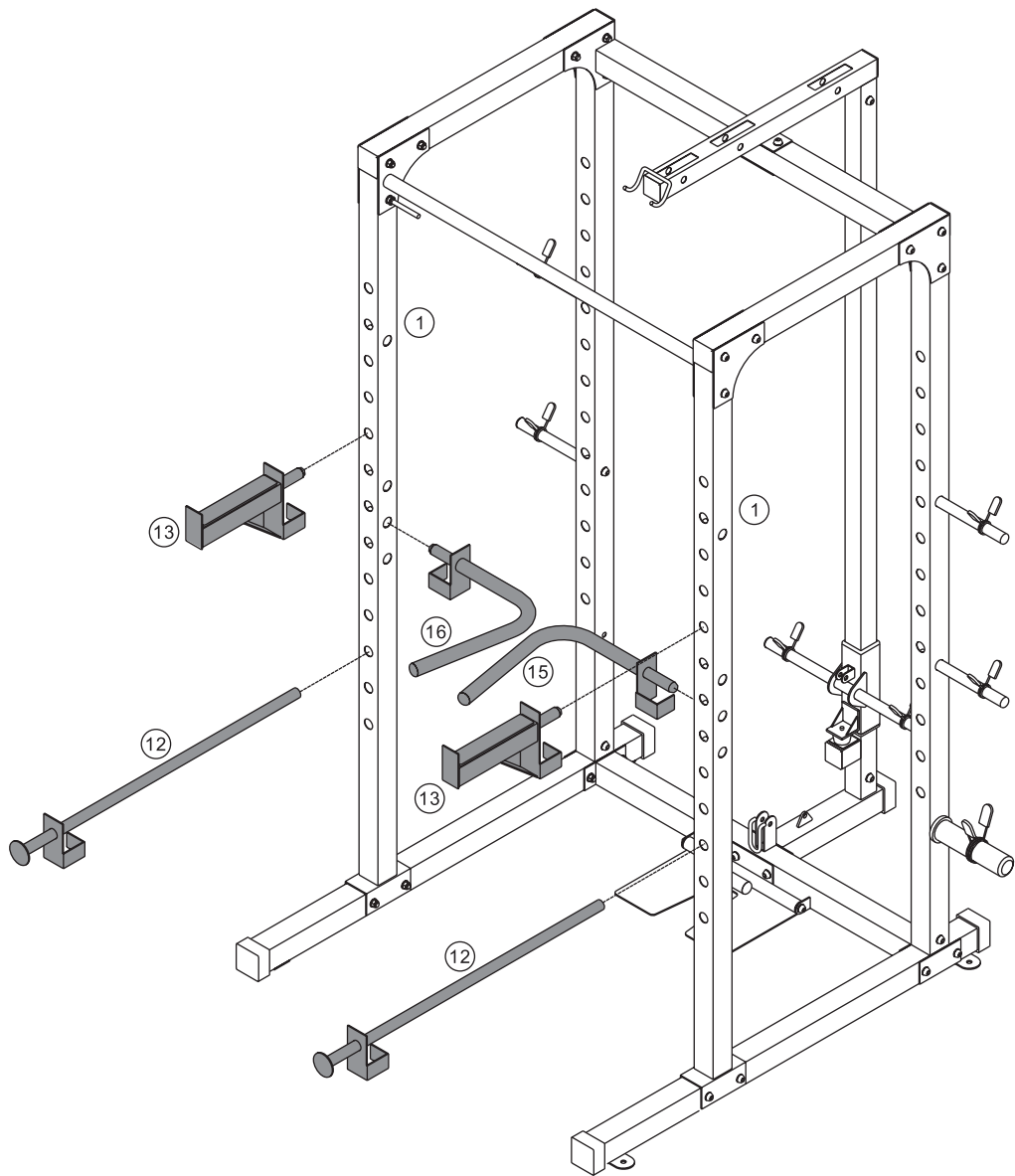










- | | | |
|----|---|--------------|
| ②6 |  | ×2 M10×85mm |
| ②9 |  | ×3 M10×20mm |
| ③0 |   | ×2 M10 |
| ③1 |   | ×7 Ø20×Ø10.5 |
| ③2 |   | ×5 M10 |

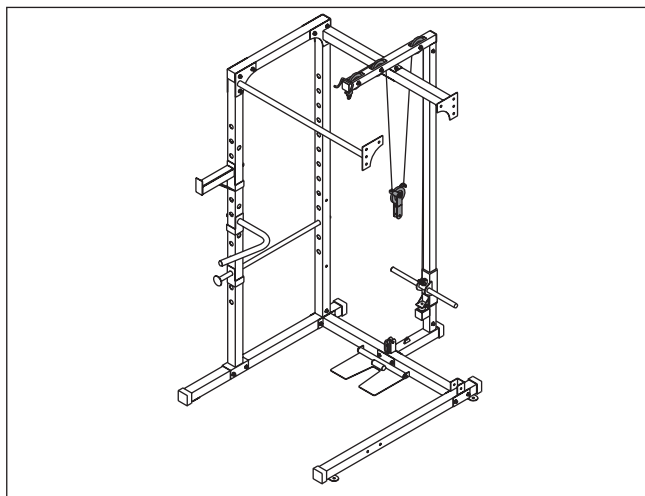
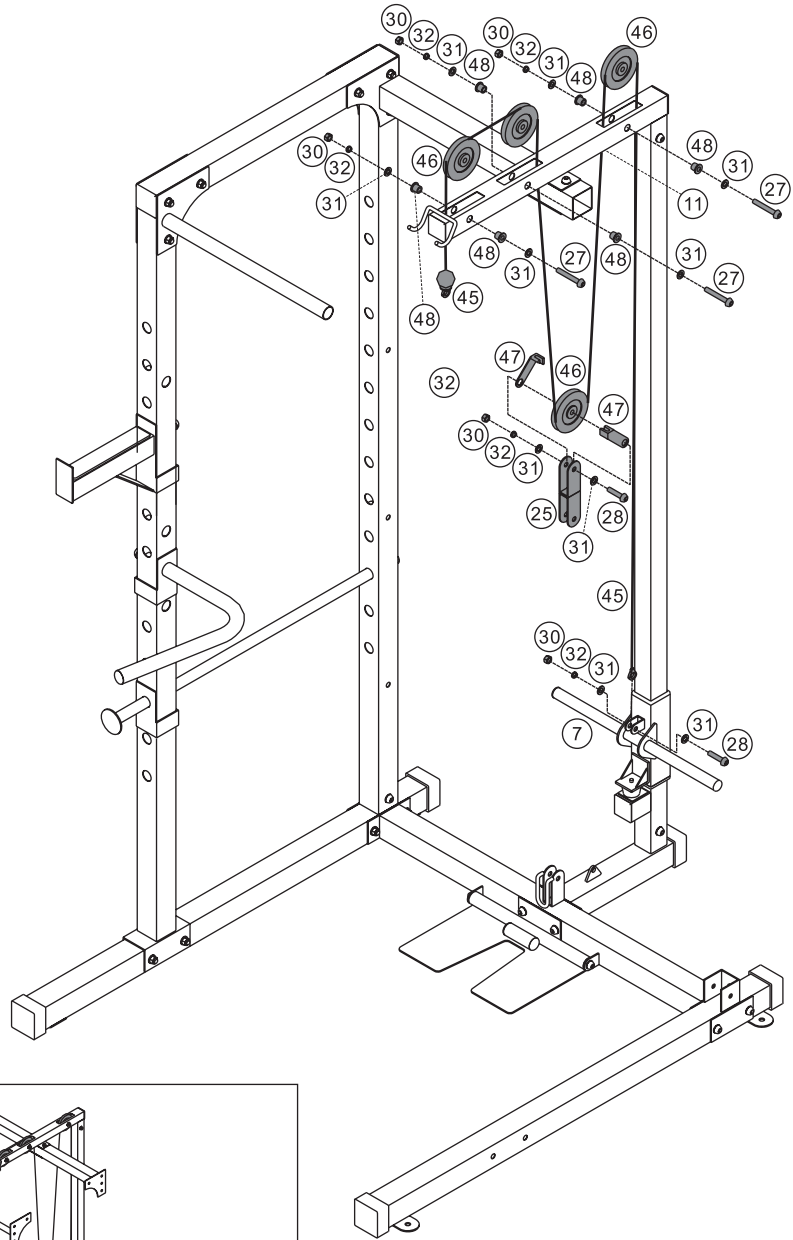
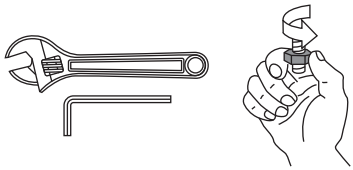


- | | | |
|---|---|--------------|
| ② |  | ×6 M10×20mm |
| ③ |  | ×6 Ø20xØ10.5 |
| ④ |  | ×6 M10 |

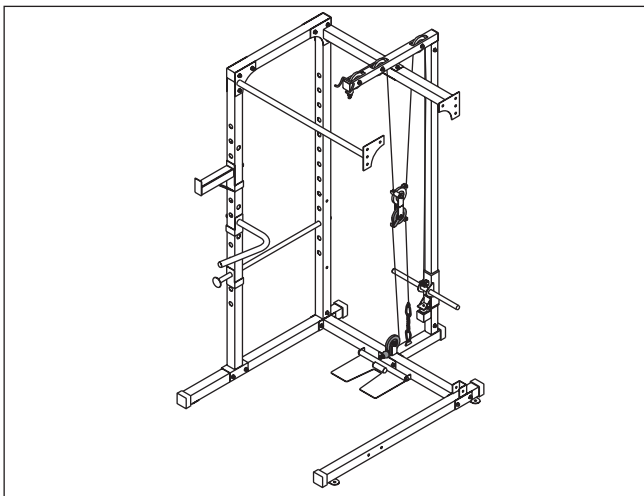
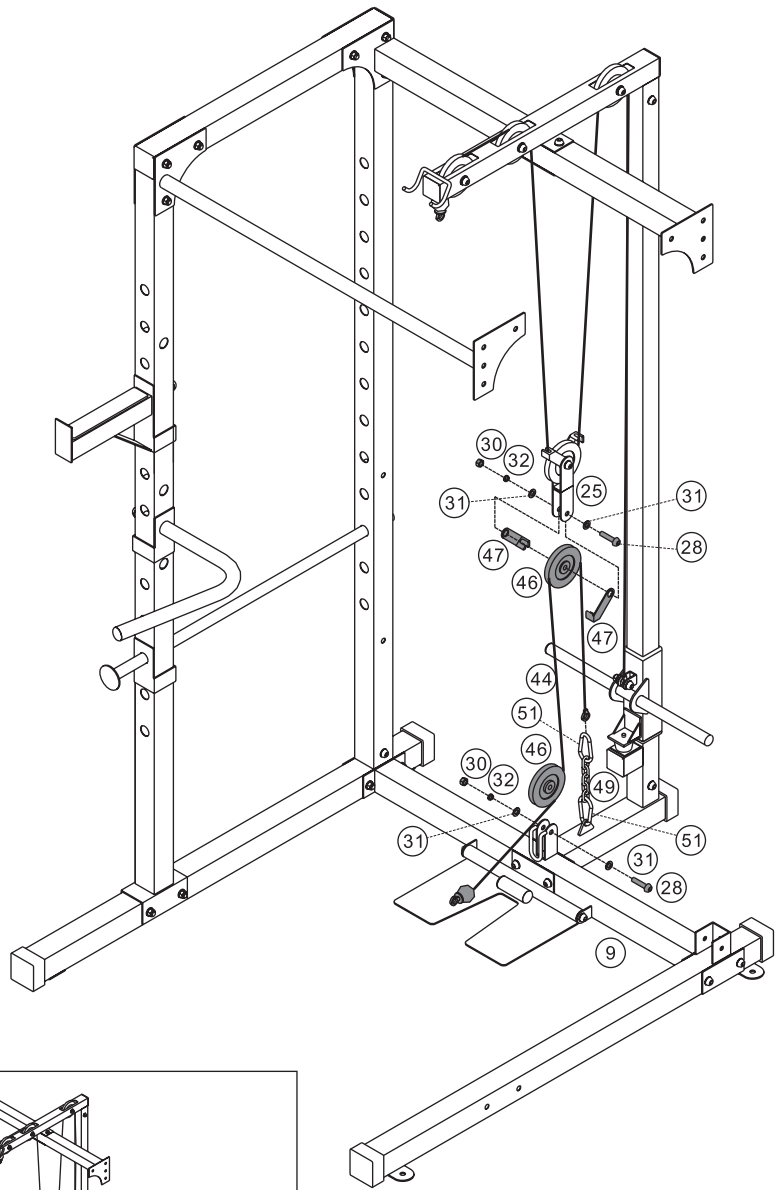
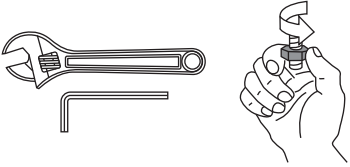


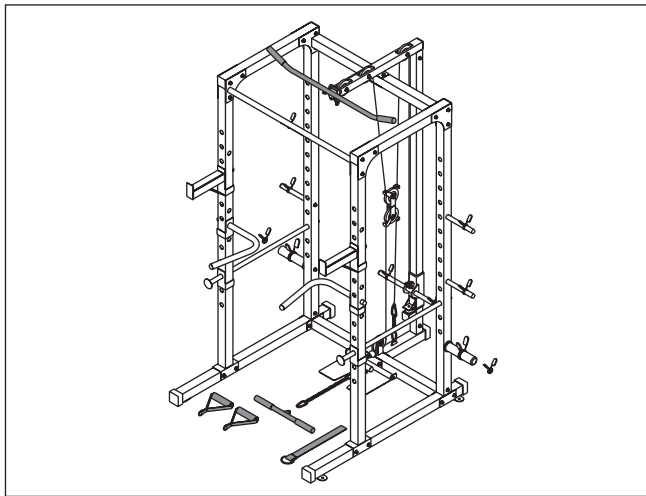
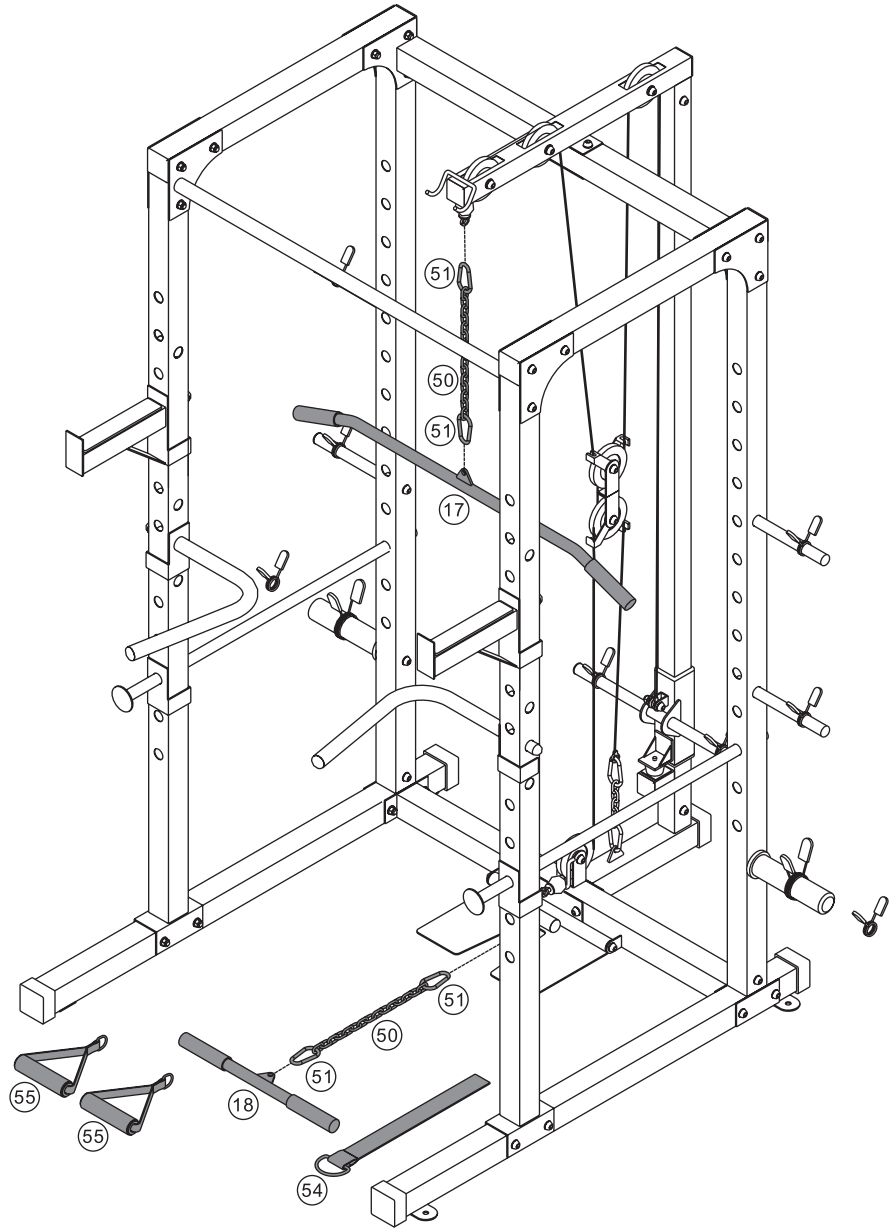


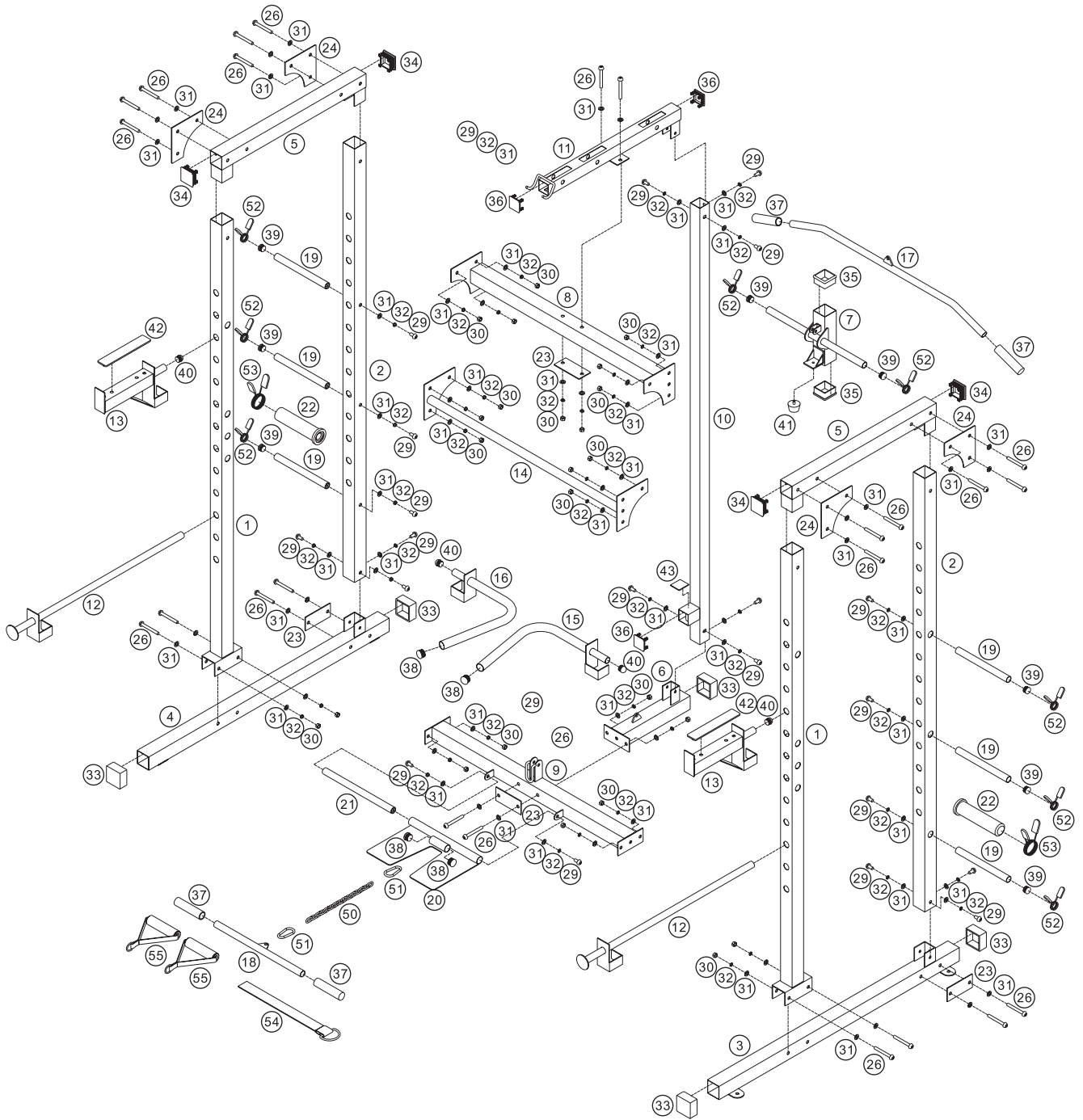
- | | | |
|----|---|---------------|
| ②7 |  | ×3 M10×75mm |
| ②8 |  | ×2 M10×45mm |
| ③0 |   | ×5 M10 |
| ③1 |   | ×10 Ø20xØ10.5 |
| ③2 |   | ×5 M10 |

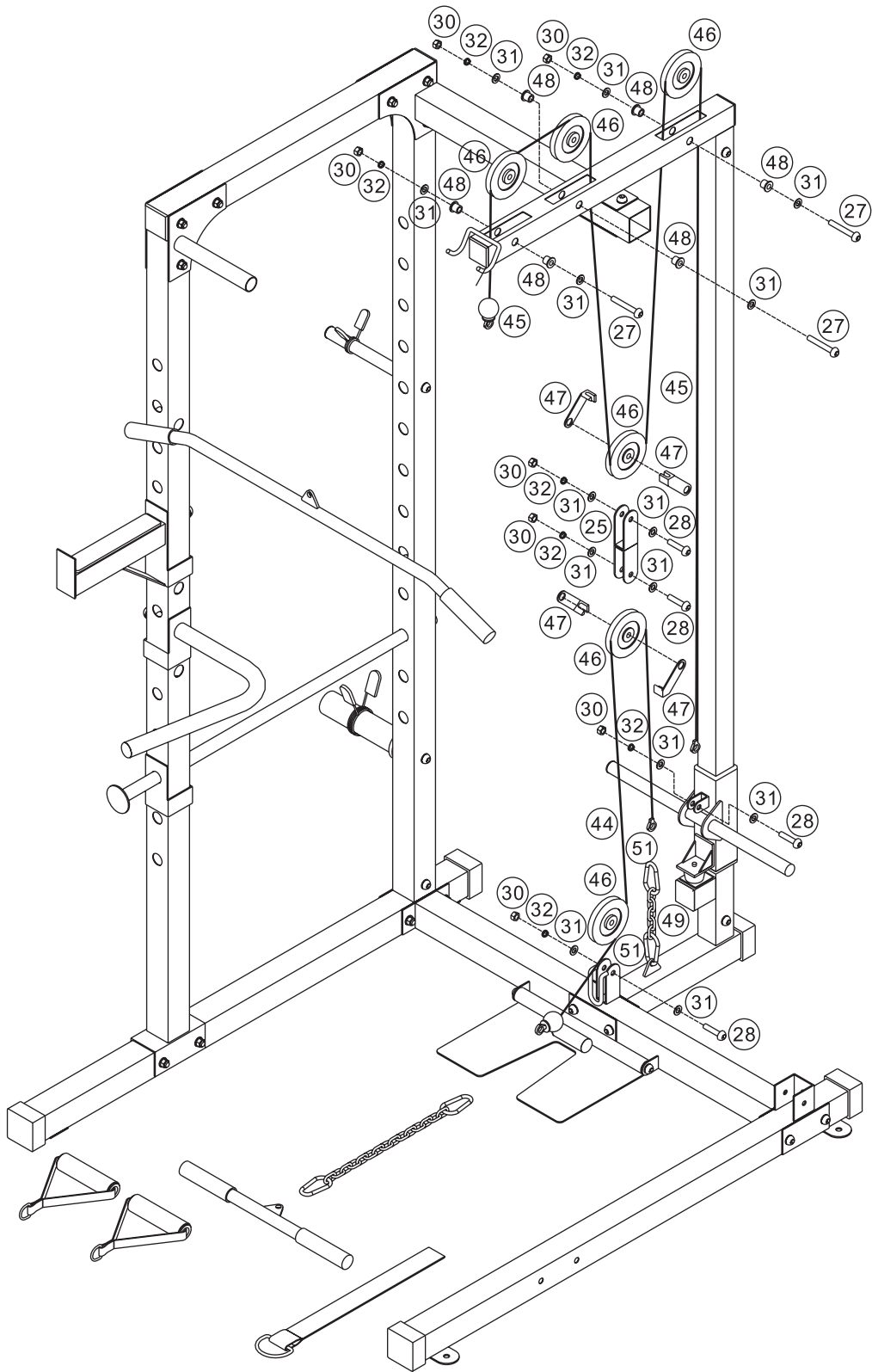


- | | | |
|----|---|--------------|
| ②8 |  | ×2 M10×45mm |
| ③0 |  | ×2 M10 |
| ③1 |  | ×4 Ø20×Ø10.5 |
| ③2 |  | ×2 M10 |









No.	Part No.	Description	Qty.
1	PFMAD615-01	Front Main Upright	2
2	PFMAD615-02	Back Main Upright	2
3	PFMAD615-03	Left Bottom Straight Beam	1
4	PFMAD615-04	Right Bottom Straight Beam	1
5	PFMAD615-05	Upright Beam	2
6	PFMAD615-06	Slide Straight Beam	1
7	PFMAD615-07	Weight Holder	1
8	PFMAD615-08	Upper Horizontal Beam	1
9	PFMAD615-09	Down Horizontal Beam	1
10	PFMAD615-10	Weight Slide Carriage	1
11	PFMAD615-11	Top Frame	1
12	PFMAD615-12	Round Steel Safety Device	2
13	PFMAD615-13	Safety Device	2
14	PFMAD615-14	Chinup Bar	1
15	PFMAD615-15	Left Arm Tube	1
16	PFMAD615-16	Right Arm Tube	1
17	PFMAD615-17	Long Lat Bar	1
18	PFMAD615-18	Short Lat Bar	1
19	PFMAD615-19	1" Olympic Sleeve	6
20	PFMAD615-20	Front Treadle	1
21	PFMAD615-21	Front Treadle Inside Tube	1
22	FMAD614AB-26	2" Olympic Sleeve	2
23	PFMAD615-22	Rectangle Connecting Piece	4
24	PFMAD615-23	Triangle Connecting Piece	4
25	PFMAD615-24	Pulley Bracket	1
26	PFM6105-28	M10 x 85mm Bolt	24
27	PFM2101-23	M10 x 75mm Bolt	3
28	PFM2005-29	M10 x 45mm Bolt	4
29	PRK3B-03	M10 x 20mm Bolt	20

No.	Part No.	Description	Qty.
30	PRK1-05	M10 Nylon Locknut	31
31	PRK1-06	M10 Washer	82
32	FMAD613-06	M10 Spring Washer	51
33	PFM7006-14	60mm Square End Cap	5
34	PFM6105-37	60mm Square Inner Cap	4
35	PFM2101-07	60x50mm Square Plastic Bushing	2
36	PRK3-05	50mm Square Inner Cap	3
37	PFM2007-08	25 x 130mm Handle	4
38	PFMAD615-25	30mm Round Inner Cap	4
39	PRK1-03	25mm Round Inner Cap	8
40	PFMAD615-26	25mm Ball inner cap	4
41	PFMH1005-40	Rubber Cushion	1
42	PFMAD615-27	Long Rubber Strip	2
43	PFMAD615-28	Short Rubber Strip	1
44	PFMAD615-29	Bottom Cable	1
45	PFMAD615-30	Top Cable	1
46	PFM2241-07	Pulley Wheel	6
47	PFMAD615-31	Pulley Guide Sleeve	4
48	PFMS80-13	Plastic Bushing	6
49	PFMAD615-32	Short Chain	1
50	PFMAD615-33	Long Chain	1
51	PFM2241-12	Snap Hook	4
52	PFMS80WA-29	1" Spring Clip	8
53	FMAD614AB-27	2" Spring Clip	2
54	PFMAD615-34	Ankle Strap	1
55	PFMAD615-35	Single Handle	2