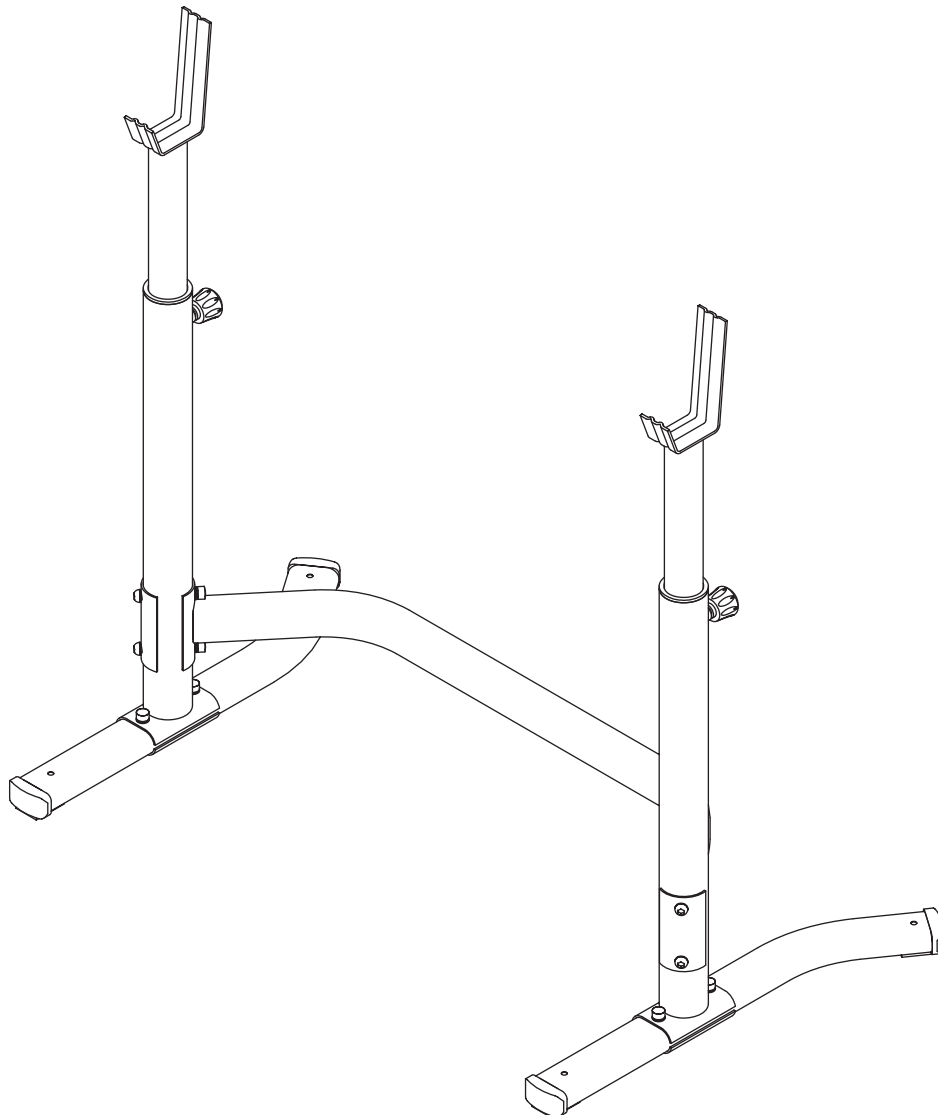
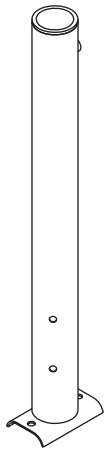




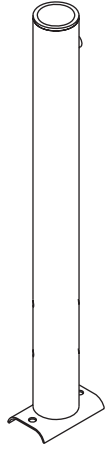
SQUAT STAND

ADBE-10239

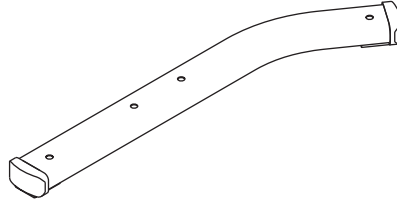




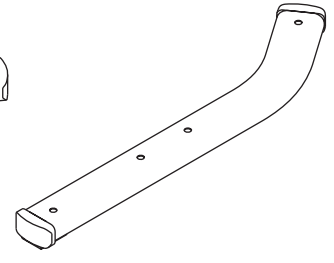
No.1 x 1



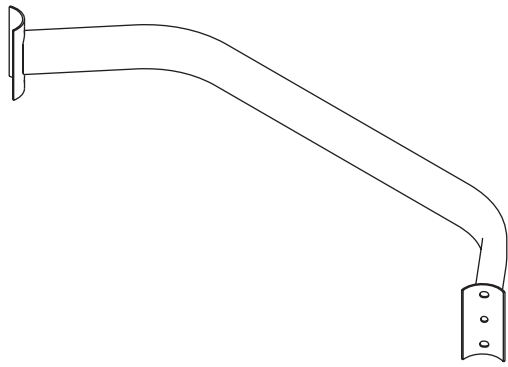
No.2 x 1



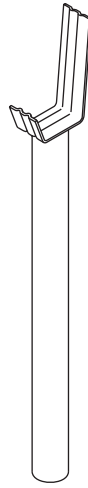
No.3 x 1



No.4 x 1



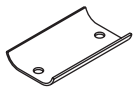
No.5 x 1



No.6 x 2



No.7 x 2



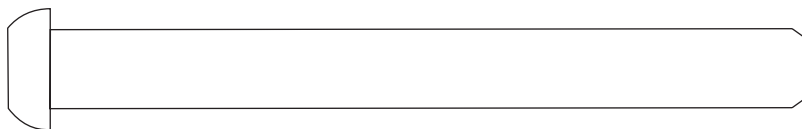
No.8 x 2



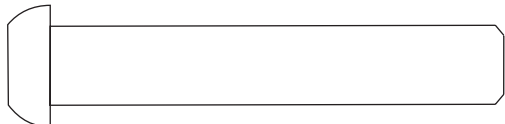
No.15 x 8



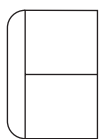
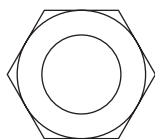
No.16 x 2



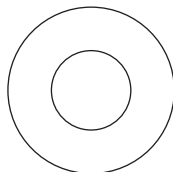
M10x100mm Bolt / Perno / Boulon (9)



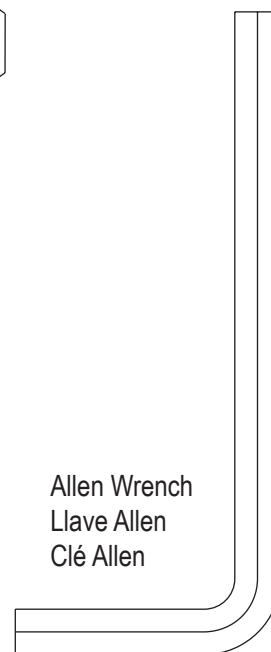
M10x60mm Bolt / Perno / Boulon (10)



M10 Nylon Locknut
Écrou en Nylon /
Contratuerca de nilón (11)







M10 Washer
Arandela / Rondelle (12)

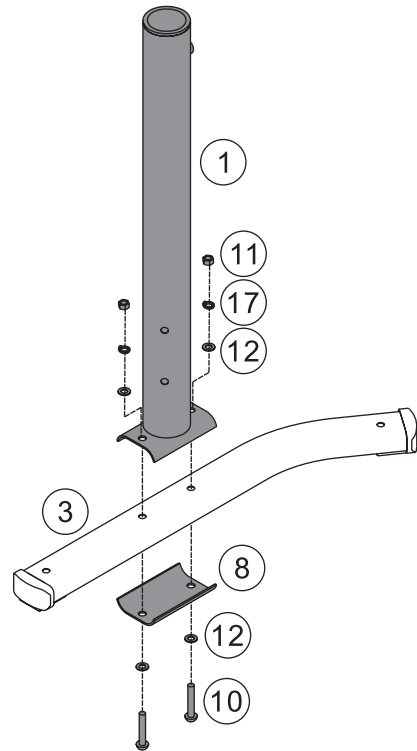
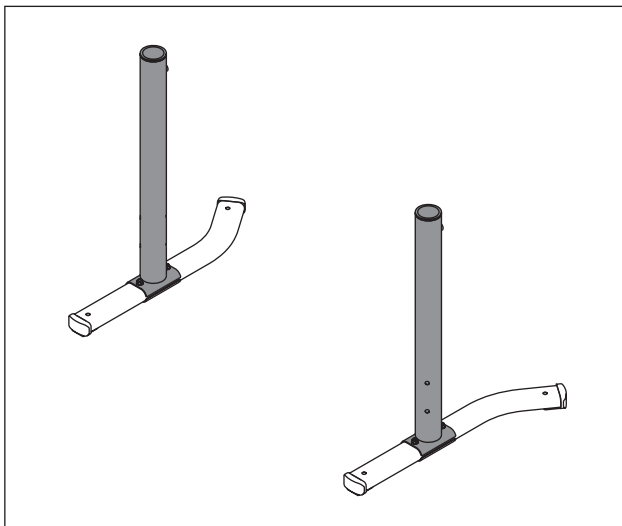
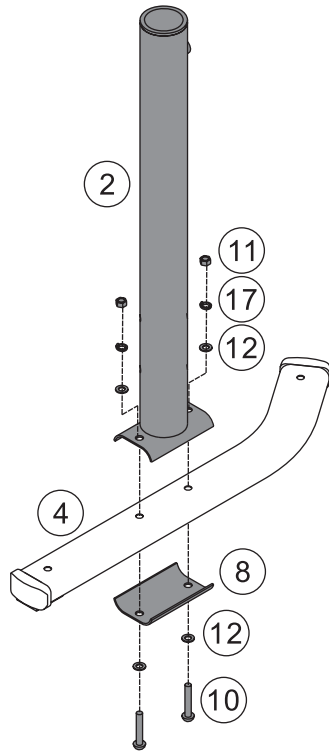
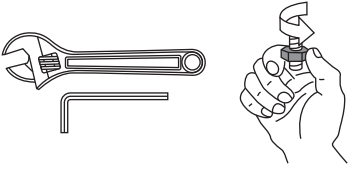


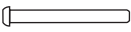



Allen Wrench
Llave Allen
Clé Allen

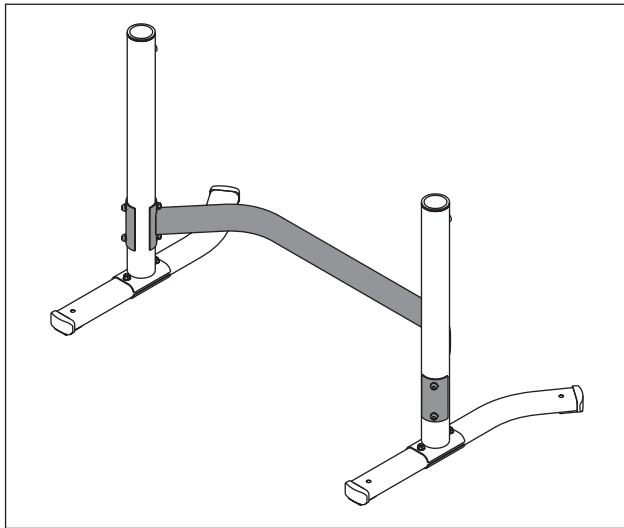
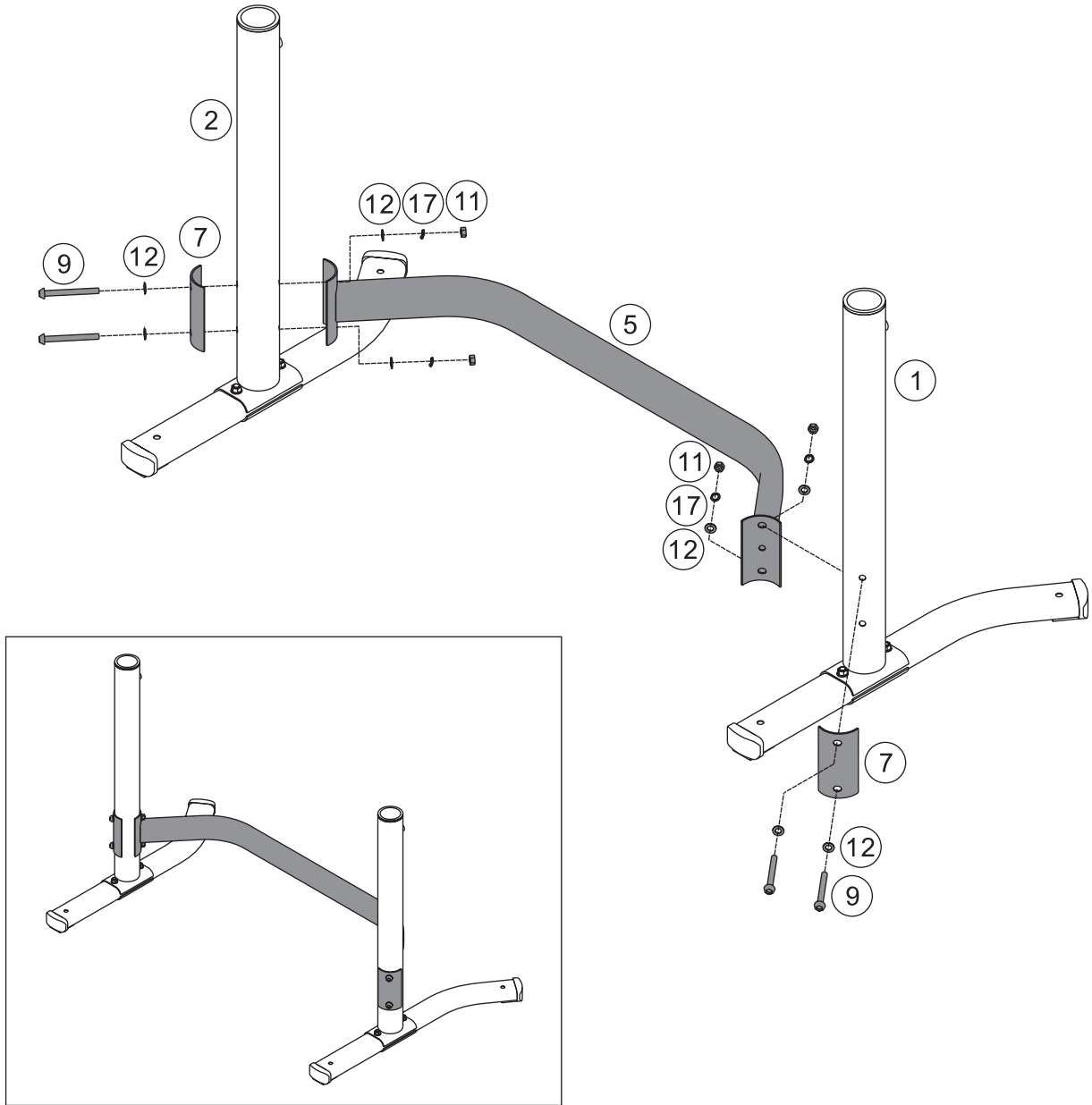
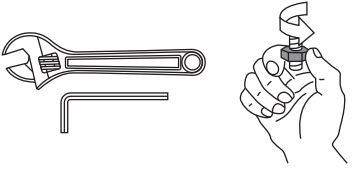


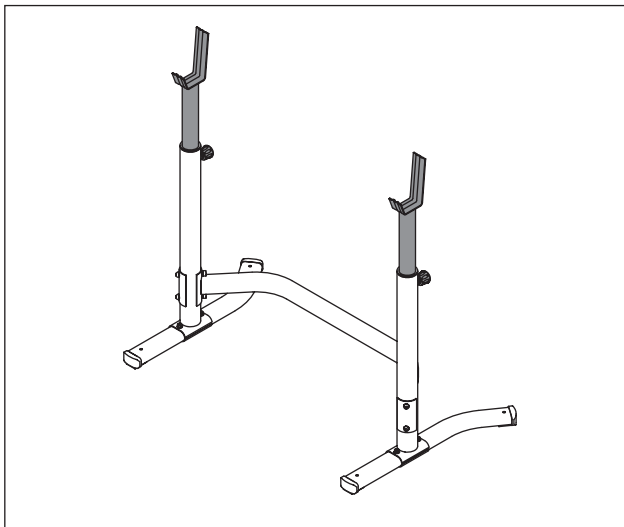
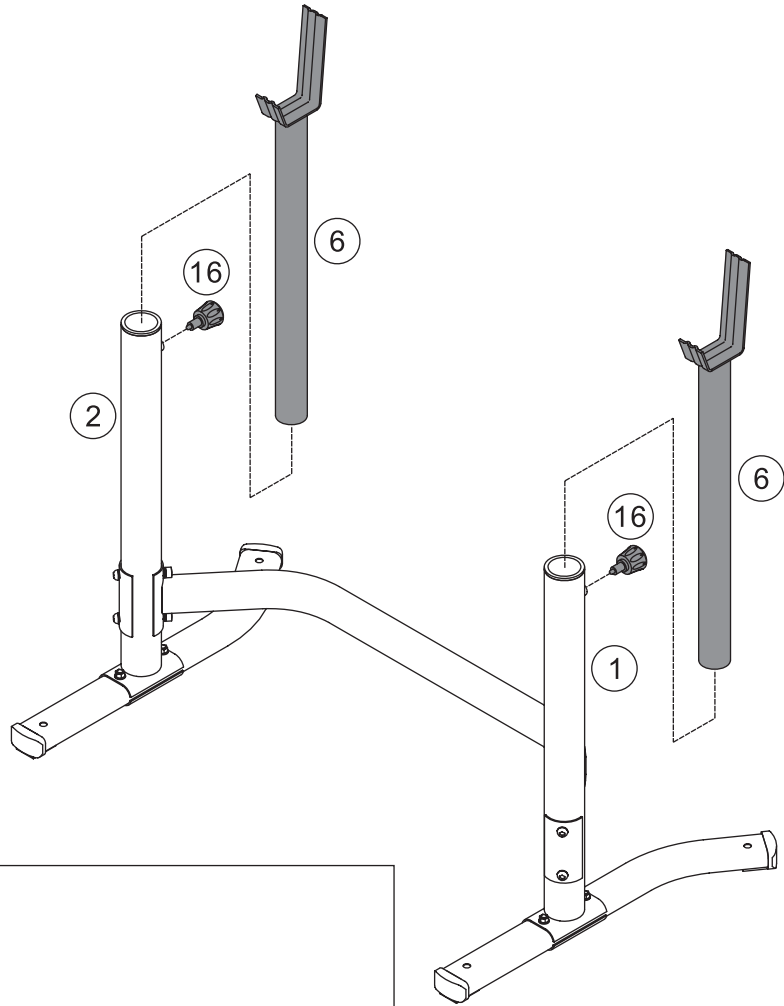
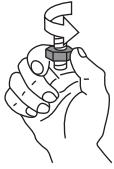
M10 Spring Washer (17)

⑩		×4 M10×60mm
⑪		×4 M10
⑫		×8 Ø20xØ10.5
⑰		×4 M10



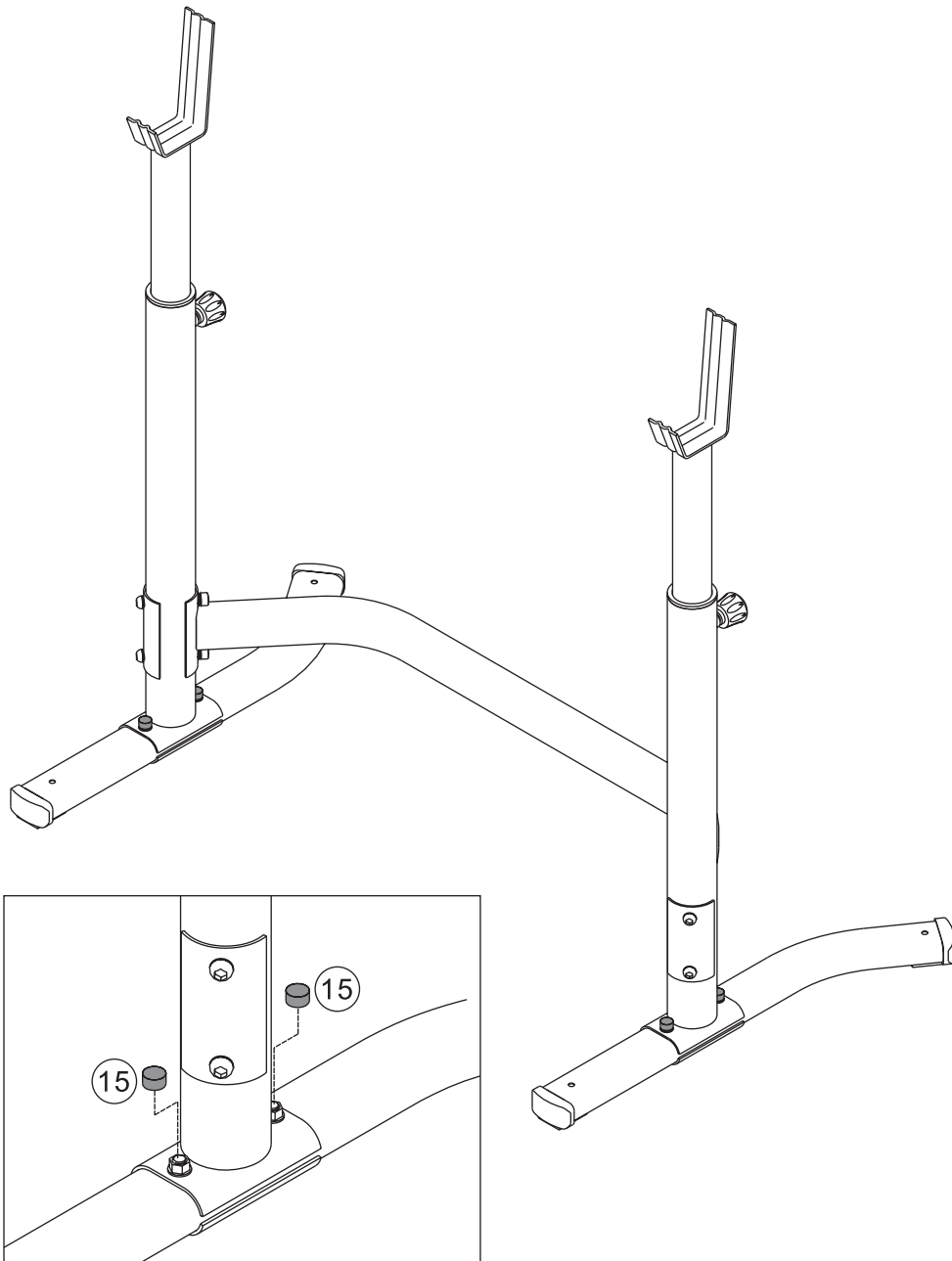
- | | | |
|----|---|--------------|
| 9 |  | x4 M10x100mm |
| 11 |  | x2 M10 |
| 12 |  | x8 Ø20xØ10.5 |
| 17 |  | x4 M10 |

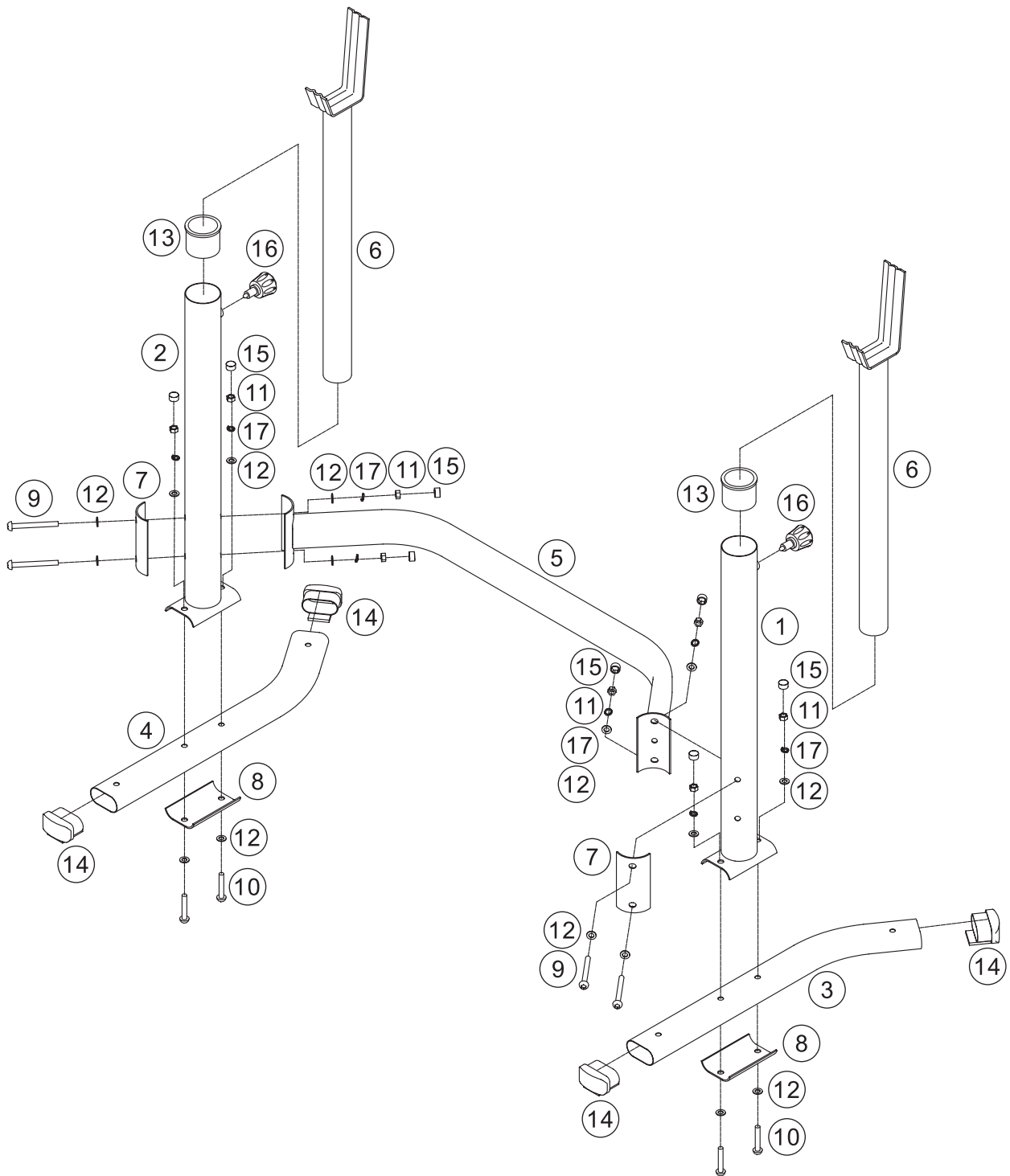




15 

×8 Ø20×Ø10.5





No.	Part No.	Description	Qty.
1	FMADPER6C-01	Left Upright Beam	1
2	FMADPER6C-02	Right Upright Beam	1
3	FMADPER6C-03	Left Base Frame	1
4	FMADPER6C-04	Right Base Frame	1
5	FMADPER6C-05	Cross Brace	1
6	FMADPER6C-06	Crutch	2
7	FMADPER6C-07	Support Plate Round	2
8	FMADPER6C-08	Support Plate Ellipse	2
9	PFM2101-24	M10 x 100mm Bolt	4
10	PFMS80-26	M10 x 60mm Bolt	4
11	PRK1-05	M10 Nylon Locknut	8
12	PRK1-06	M10 Washer	16
13	FMADPER6C-09	76x60mm Round Plastic Bushing	2
14	PFMH1001-21	40x80mm Ellipse End Cap	4
15	FMAD614AB-23	Bolt Cover Cap	8
16	FMAD614AB-25	Pop Pin	2
17	FMAD613-06	M10 Spring Washer	8

Product Guarantee:

This product is guaranteed against manufacturing defects for a period of **ONE year**.

- In the event of a problem with the product with in the guarantee period call the

Customer Helpline: 0800 440 2459.

- 质保期内，一旦产品出现问题，请拨打

客户热线：0086-411-82766207

- I tilfælde af et problem med produktet inden for garantien kan du ringe til

Kundehjælpe linjen: +45 2859 1998.

- Mikäli tuotteessa ilmenee ongelma takuuajan kuluessa, soita

Asiakaspalveluun: +45 2859 1998.

- Si vous rencontrez un problème avec le produit pendant la période de garantie, veuillez appeler notre

Assistance téléphonique client : +33 (0)171 82 84 99.

- Im Falle eines Problems mit dem Produkt innerhalb des Garantiezeitraums rufen Sie bitte folgen de Nummer an

Kundendienst: +49 (0) 6431 58463-0.

- Σε περίπτωση προβλήματος με το προϊόν εντός της περιόδου εγγύησης, τηλεφωνήστε στη

Γραμμή Βοήθειας Πελατών: +30 210 2758228.

- In caso di problemi con il prodotto durante il periodo di garanzia, contattare il numero di

Assistenza Clienti: +49 (0) 6431 58463 13.

- In het geval van een probleem met het product binnen de garantieperiode, neemt u Contact op m et

de klantenservice: +49 (0)6 431 58 4630.

- Ved et problem med produktet innen garantiperioden ring

Kundeservice: +45 2859 1998.

- Caso ocorra algum problema com o produto durante a garantia, contacte a

Linha de Apoio a Clientes: +35 1 96 10 14 778.

- Si experimenta algún problema con el producto dentro del plazo de garantía, puede contactar co n nosotros a través de:

Teléfono de atención al cliente: +34 800 600 816.

- Om problem med produkten uppstår under garantiperioden, kontakta

Kundtjänst: +46 (0)40-303144.

- Garanti süresi içinde ürünle ilgili herhangi bir sorun yaşanması durumunda, şu Numarayı arayınız:

Müşteri Yardım Hattı: +90 212 8757901.