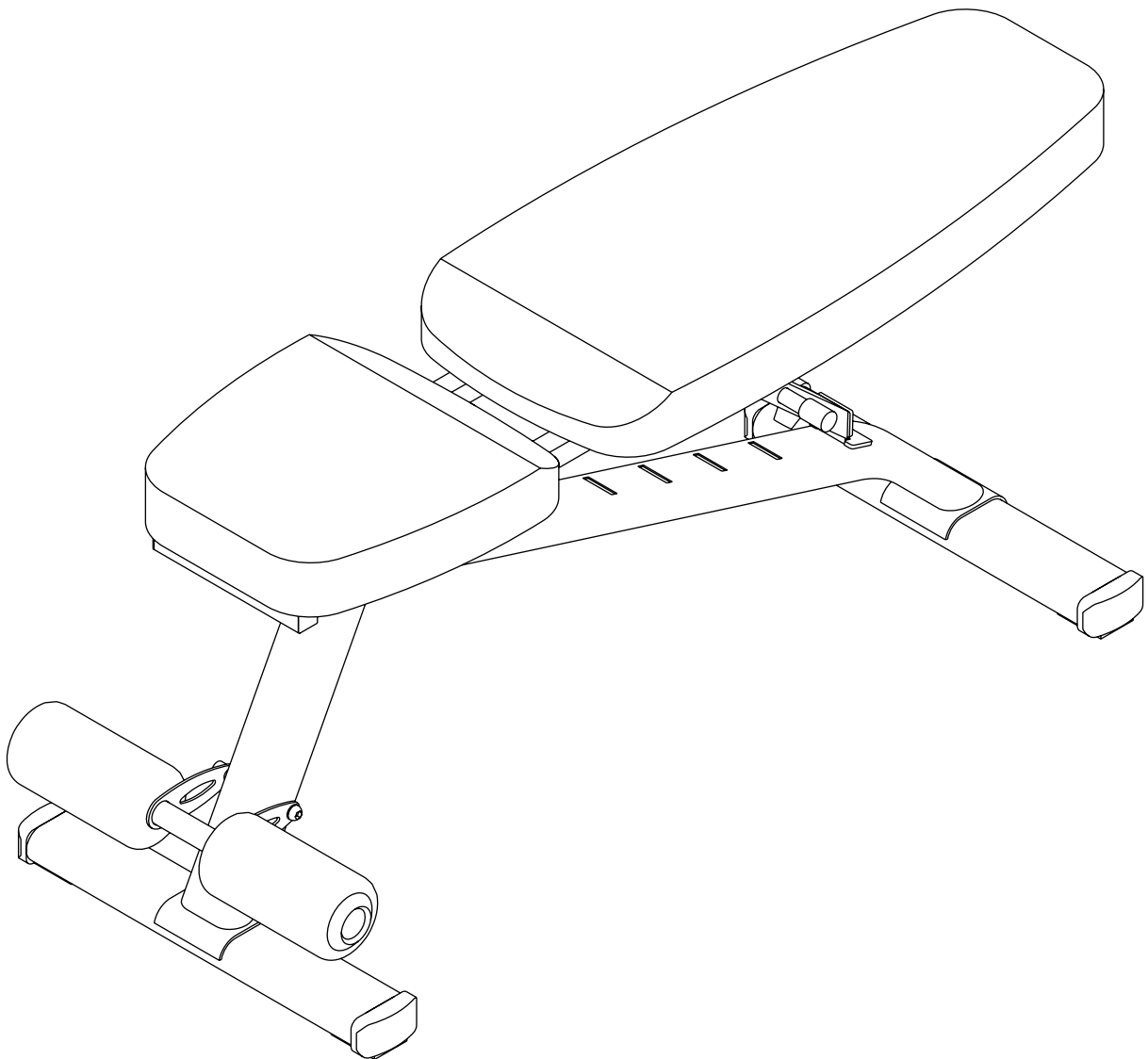
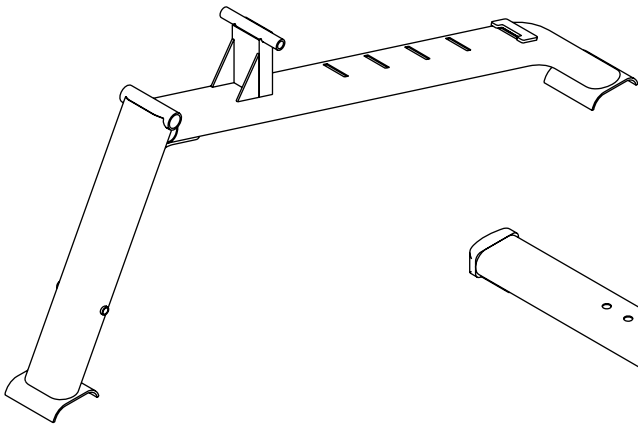




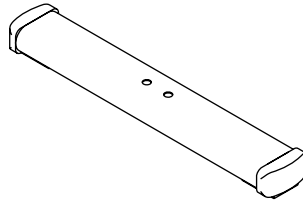
# UTILITY BENCH

## ADBE-10235

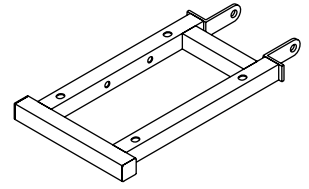




No.1 x 1



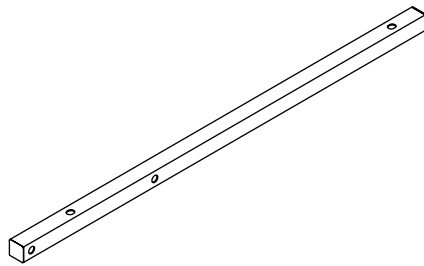
No.2 x 2



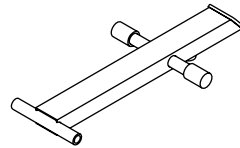
No.3 x 1



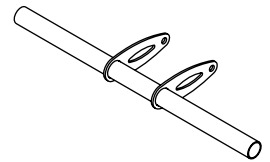
No.4 x 1



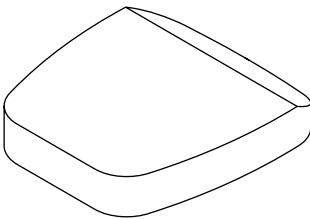
No.5 x 2



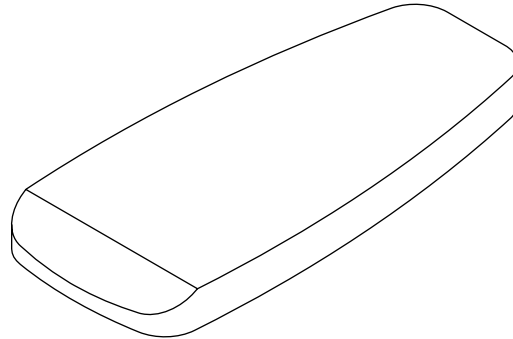
No.6 x 1



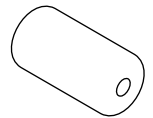
No.7 x 1



No.8 x 1



No.9 x 1



No.10 x 2



No.23 x 2



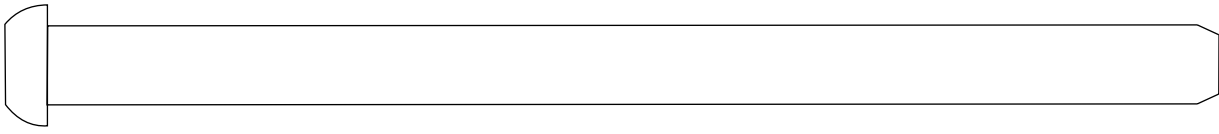
No.24 x 2



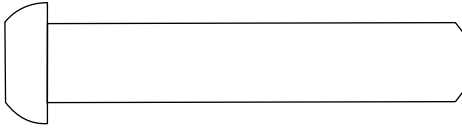
No.25 x 3



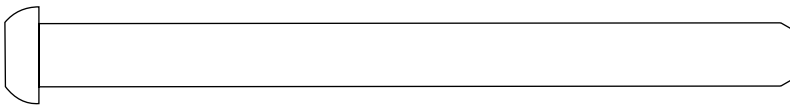
No.26 x 1



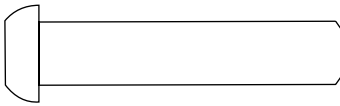
M10x180mm Bolt / Perno / Boulon (11)



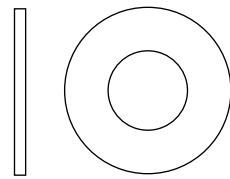
M10x55mm Bolt / Perno / Boulon (12)



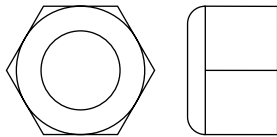
M8x105mm Bolt / Perno / Boulon (13)



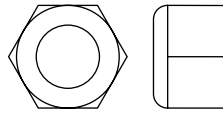
M8x45mm Bolt / Perno / Boulon (14)



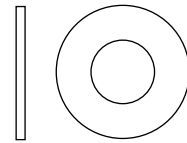
M10 Washer  
Arandela / Rondelle (17)



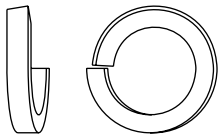
M10 Nylon Locknut  
Écrou en Nylon /  
Contratuerca de nilón (15)



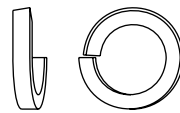
M8 Nylon Locknut  
Écrou en Nylon /  
Contratuerca de nilón (16)



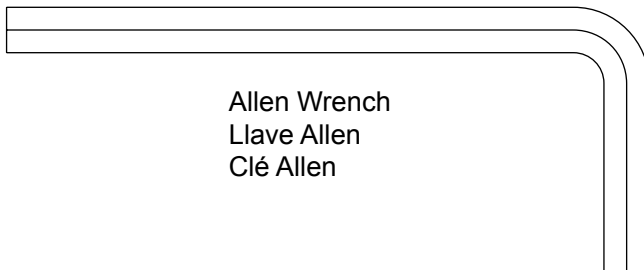
M8 Washer  
Arandela / Rondelle (18)



M10 Spring Washer (27)

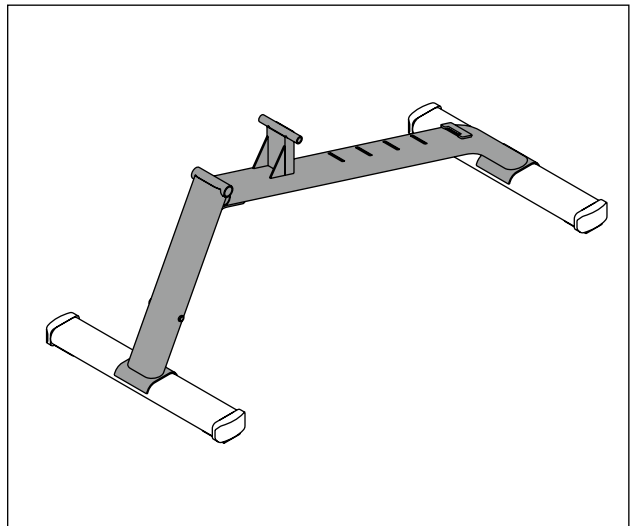
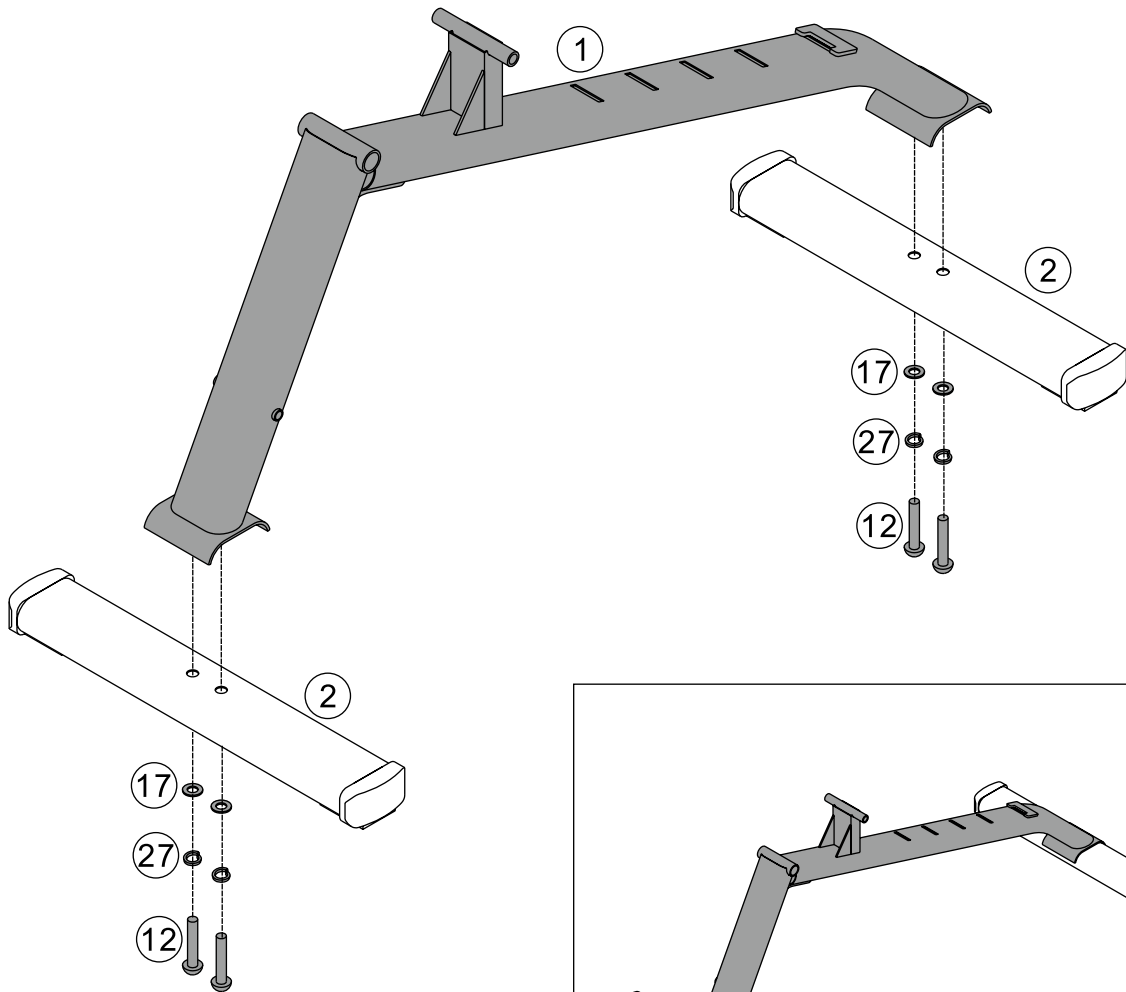
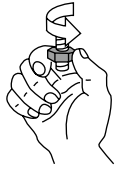
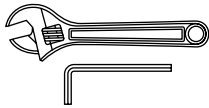


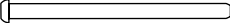









M8 Spring Washer (28)

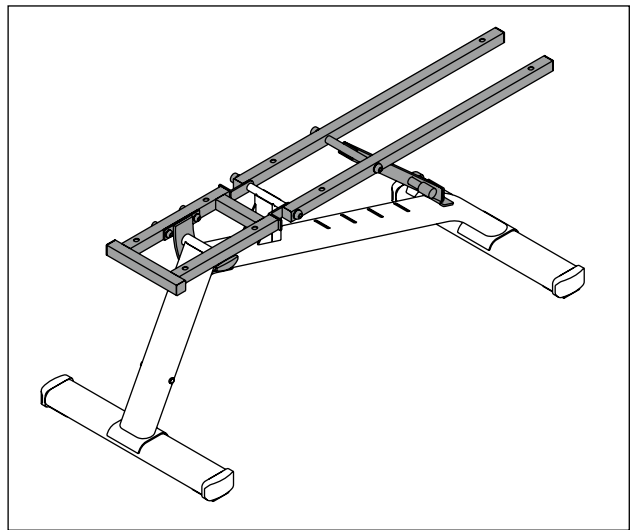
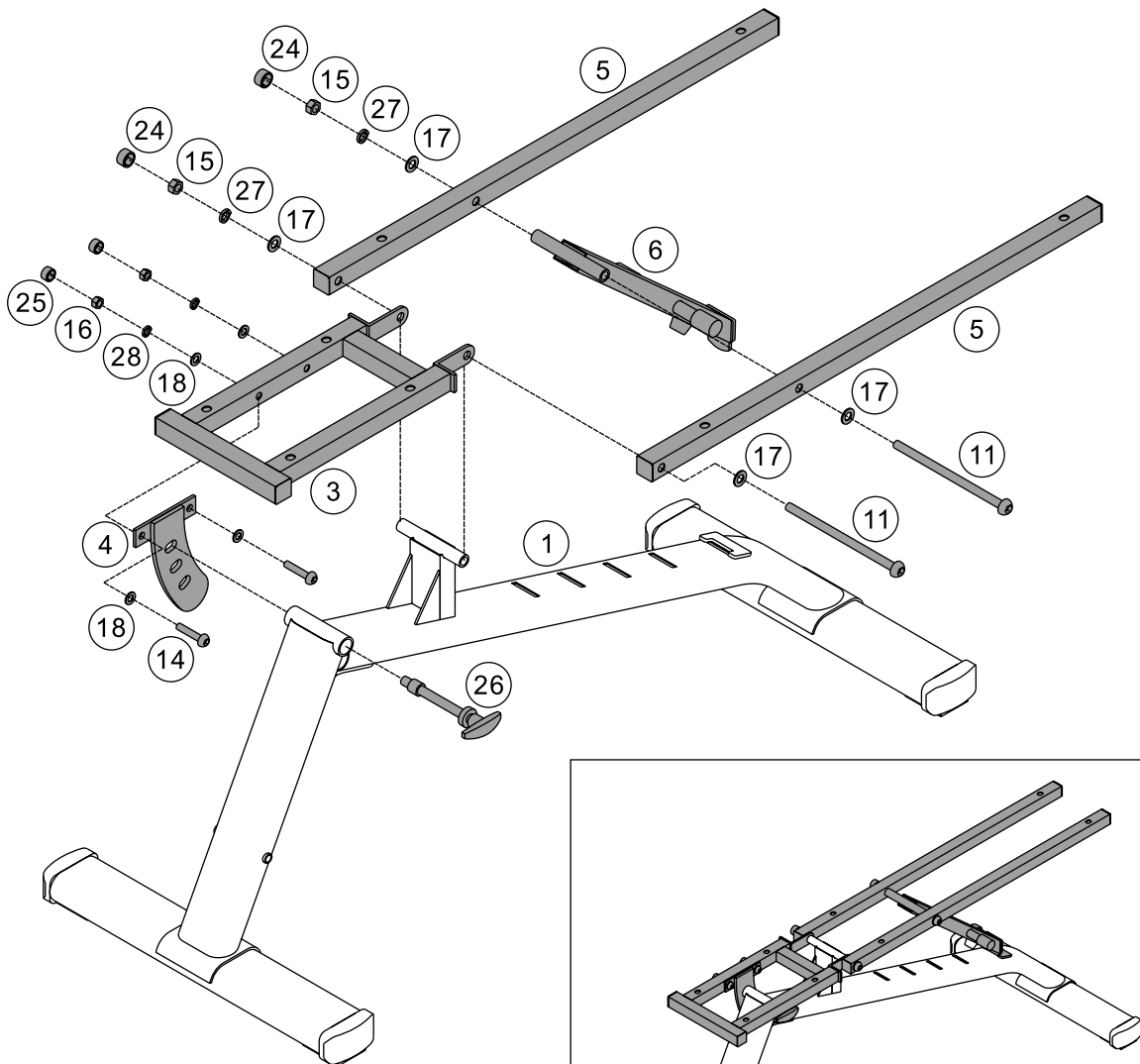
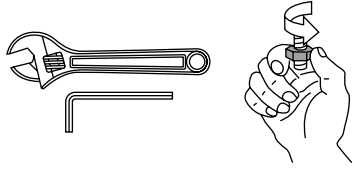


Allen Wrench  
Llave Allen  
Clé Allen

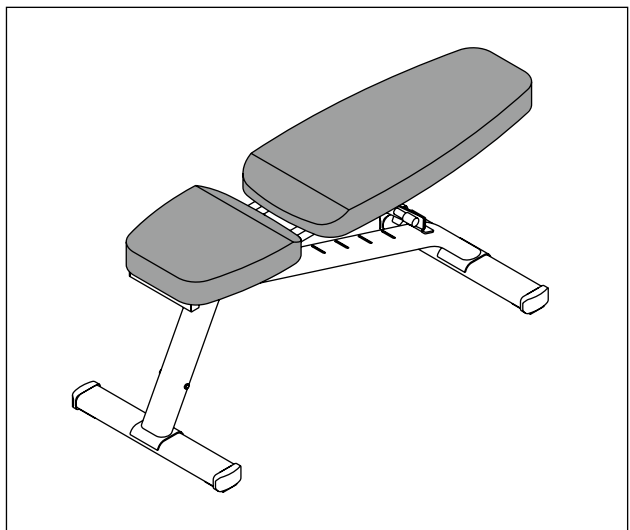
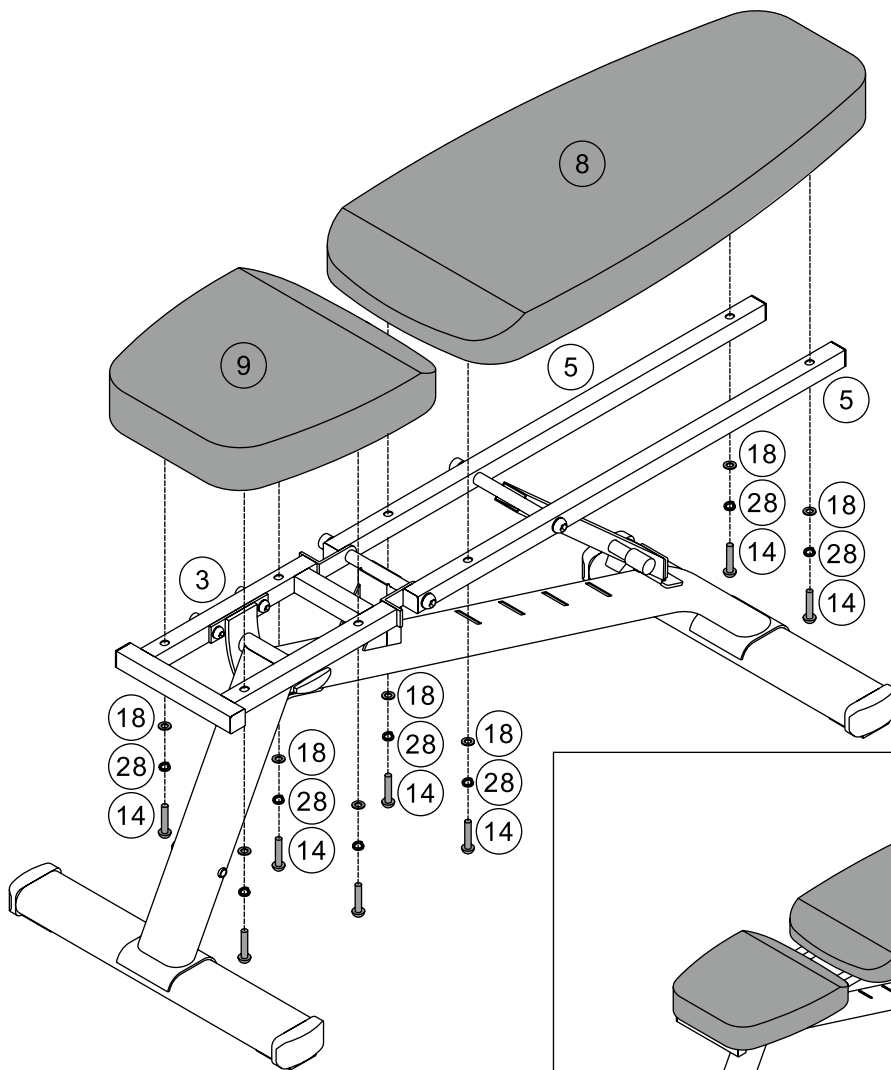
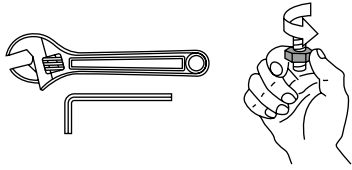
- |    |   |             |
|----|---|-------------|
| 12 |  | ×4 M10×55mm |
| 17 |  | ×4 M10      |
| 27 |  | ×4 M10      |

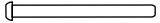



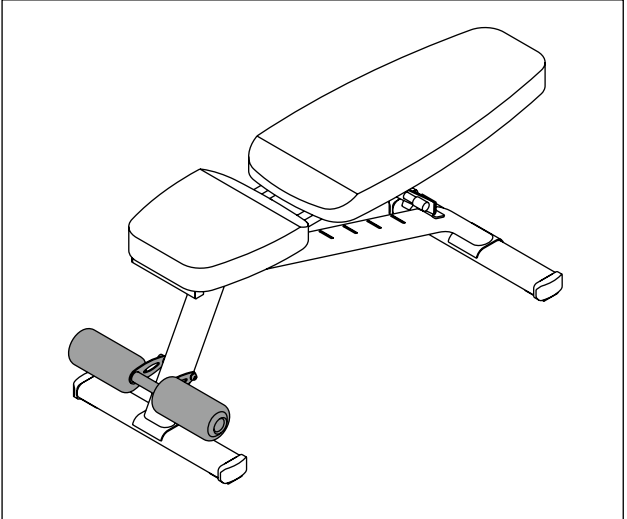
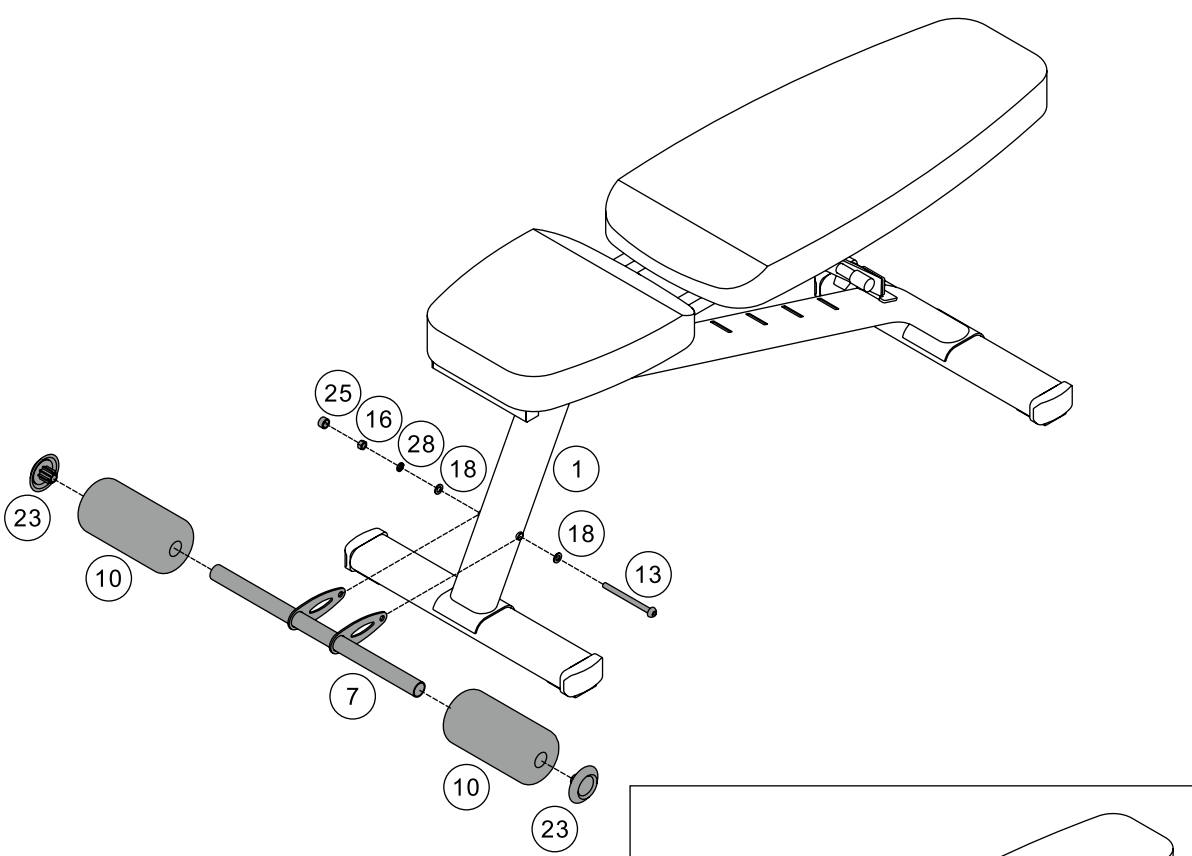
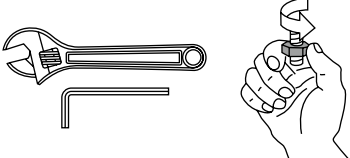
11		×2 M10×180mm	18		×4 Ø16×Ø8.4
14		×2 M8×45mm	24		×2 M10
15		×2 M10	25		×2 M8
16		×2 M8	27		×2 M10
17		×4 Ø20×Ø10.5	28		×2 M8

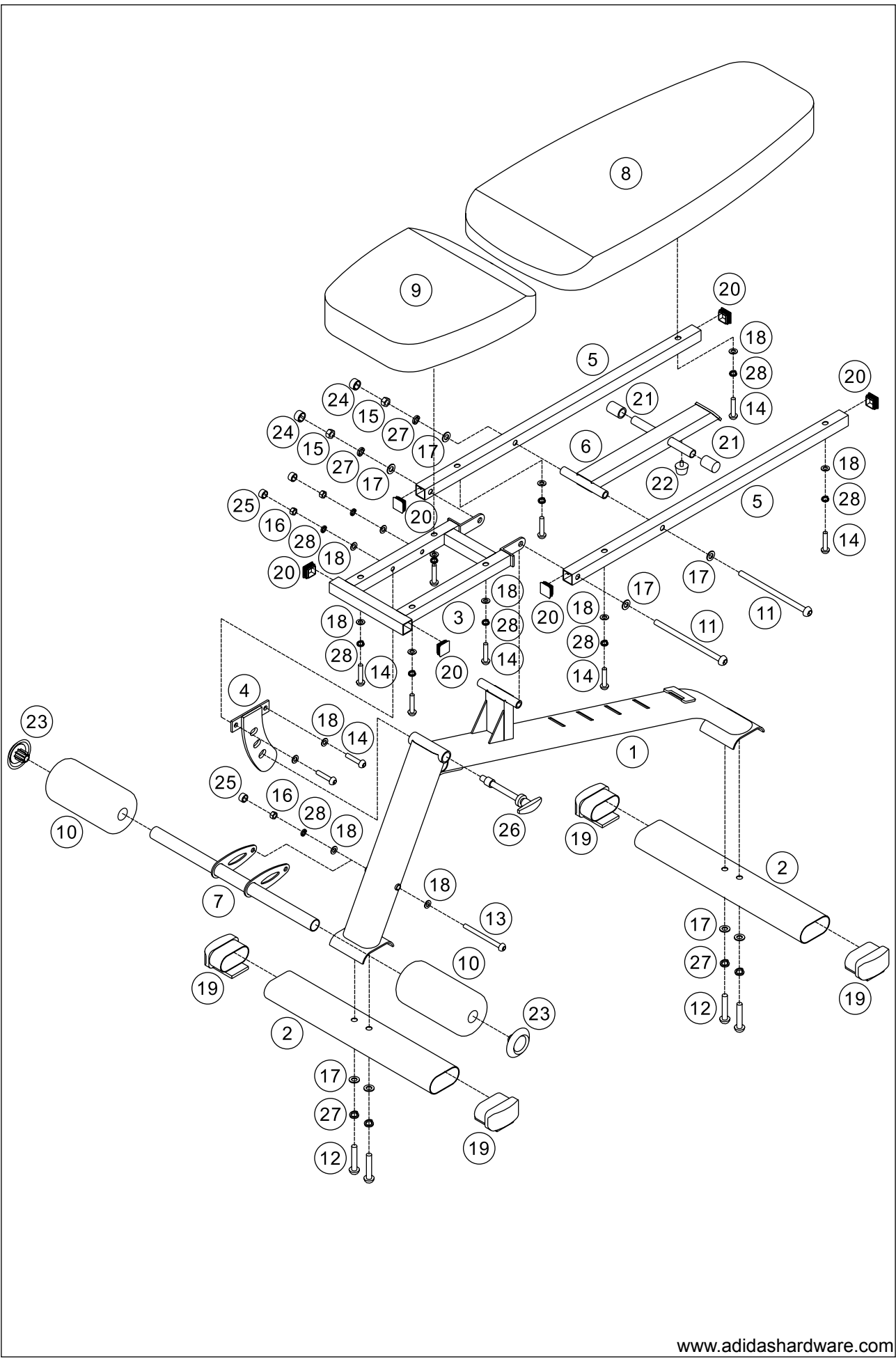


- |    |   |              |
|----|---|--------------|
| 14 |  | ×8 M8×45mm   |
| 18 |  | ×8 Ø16× Ø8.4 |
| 28 |  | ×8 M8        |



13		×1 M8×105mm
16		×1 M8
18		×2 Ø16×Ø8.4
25		×1 M8
28		×1 M8







No.	Part No.	Description	Qty
1	FMAD614-01	Main Frame	1
2	FMAD611-02	Base Frame	2
3	FMAD614-02	Seat Bracket	1
4	FMAD614-03	Seat Incline Adjustment Frame	1
5	FMAD614-04	Backrest Support	2
6	FMAD614-05	Backrest Incline Support	1
7	FMAD611-08	Foam Tube Frame	1
8	FMAD614-06	Backrest Board	1
9	FMAD614-07	Seat Pad	1
10	FMAD614AB-16	Foam Roll	2
11	FMAD614-08	M10 x 180mm Bolt	2
12	PFMCS704MF-13	M10 x 55mm Bolt	4
13	FMAD611-11	M8 x 105mm Bolt	1
14	PFMS80-32	M8 x 45mm Bolt	10
15	PRK1-05	M10 Nylon Locknut	2
16	PHHKRK6-10	M8 Nylon Locknut	3
17	PRK1-06	M10 Washer	8
18	PFM2006-27	M8 Washer	14
19	PFMH1001-21	40x80mm Ellipse End Cap	4
20	PFM2240-32	25mm Square Inner Cap	6
21	FMAD614AB-21	16mm Round Angled Cap	2
22	PFMS80WA-30	Rubber Ring	1
23	FMAD614AB-22	25mm Large Round Inner Cap	2
24	FMAD614AB-23	Bolt Cover Cap	2
25	FMAD611-12	Bolt Cover Cap	3
26	FMAD614-09	Pop Pin	1
27	FMAD613-06	M10 Spring Washer	6
28	FMAD613-07	M8 Spring Washer	11

## **Product Guarantee:**

This product is guaranteed against manufacturing defects for a period of **ONE year**.

- In the event of a problem with the product with in the guarantee period call the

**Customer Helpline: 0800 440 2459.**

- 质保期内，一旦产品出现问题，请拨打

**客户热线：0086-411-82766207**

- I tilfælde af et problem med produktet inden for garantien kan du ringe til

**Kundehjælpe linjen: +45 2859 1998.**

- Mikäli tuotteessa ilmenee ongelma takuuajan kuluessa, soita

**Asiakaspalveluun: +45 2859 1998.**

- Si vous rencontrez un problème avec le produit pendant la période de garantie, veuillez appeler notre

**Assistance téléphonique client : +33 (0)171 82 84 99.**

- Im Falle eines Problems mit dem Produkt innerhalb des Garantiezeitraums rufen Sie bitte folgen de Nummer an

**Kundendienst: +49 (0) 6431 58463-0.**

- Σε περίπτωση προβλήματος με το προϊόν εντός της περιόδου εγγύησης, τηλεφωνήστε στη

**Γραμμή Βοήθειας Πελατών: +30 210 2758228.**

- In caso di problemi con il prodotto durante il periodo di garanzia, contattare il numero di

**Assistenza Clienti: +49 (0) 6431 58463 13.**

- In het geval van een probleem met het product binnen de garantieperiode, neemt u Contact op m et

**de klantenservice: +49 (0)6 431 58 4630.**

- Ved et problem med produktet innen garantiperioden ring

**Kundeservice: +45 2859 1998.**

- Caso ocorra algum problema com o produto durante a garantia, contacte a

**Linha de Apoio a Clientes: +35 1 96 10 14 778.**

- Si experimenta algún problema con el producto dentro del plazo de garantía, puede contactar co n nosotros a través de:

**Teléfono de atención al cliente: +34 800 600 816.**

- Om problem med produkten uppstår under garantiperioden, kontakta

**Kundtjänst: +46 (0)40-303144.**

- Garanti süresi içinde ürünle ilgili herhangi bir sorun yaşanması durumunda, şu Numarayı arayınız:

**Müşteri Yardım Hattı: +90 212 8757901.**