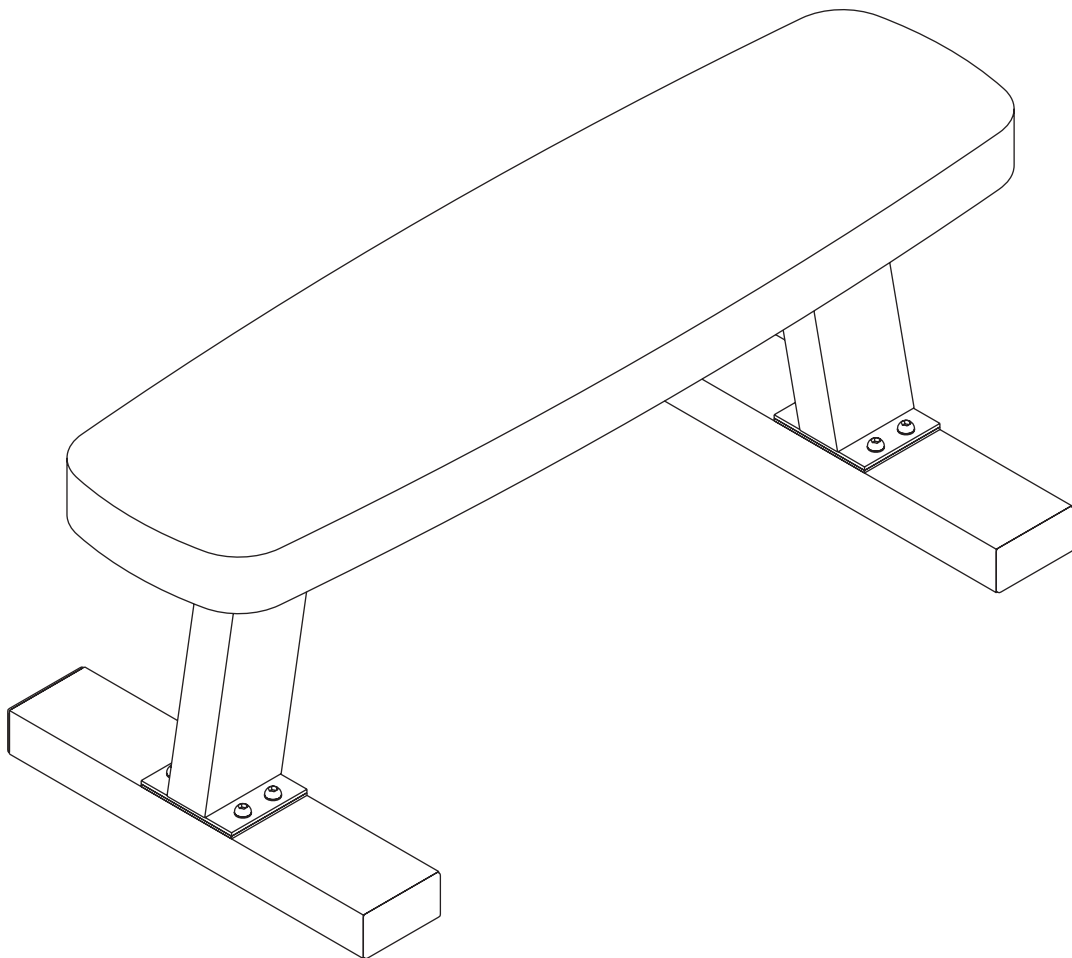
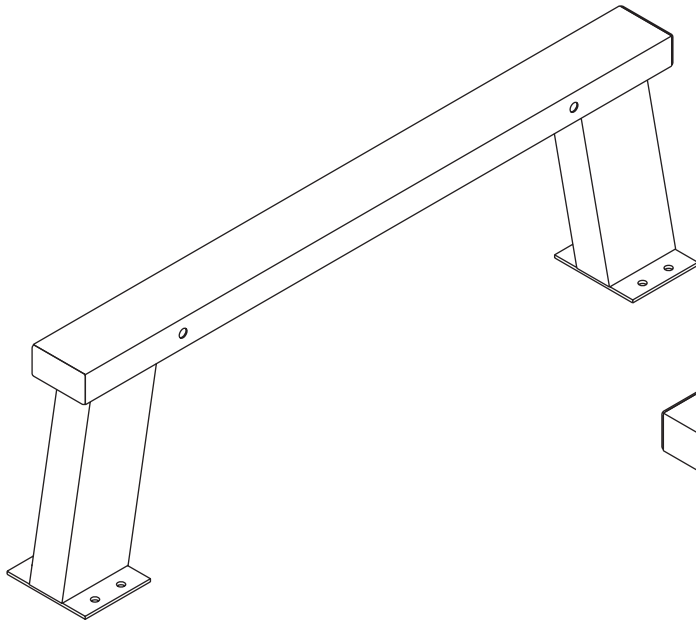




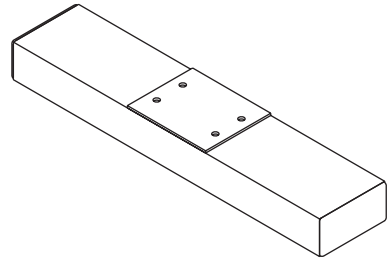
# Flat Bench

## ADBE-10232

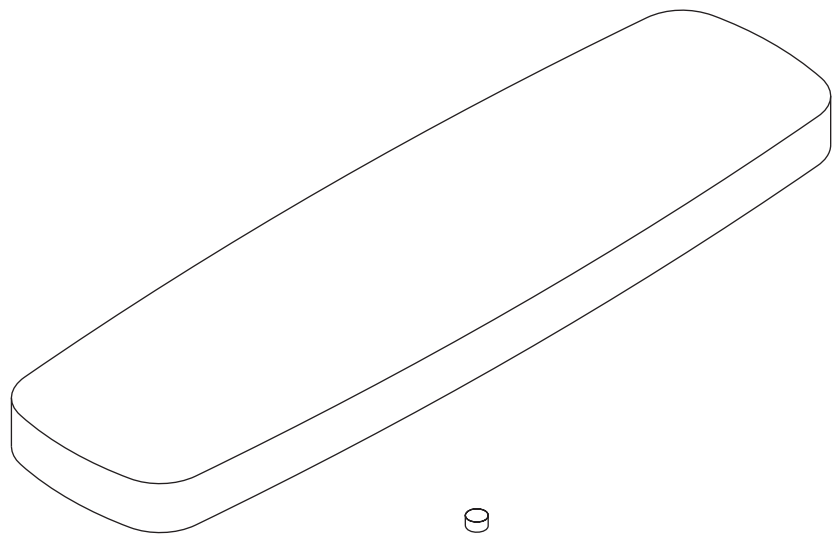




No.1 x 1



No.2 x 2



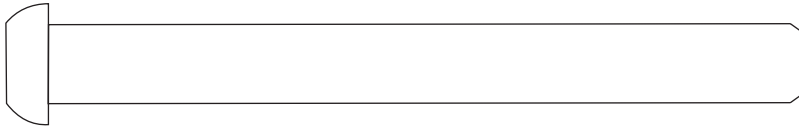
No.4 x 1



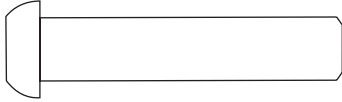
No.3 x 4



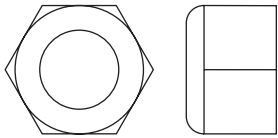
No.12 x 2



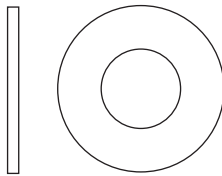
M10x100mm Bolt / Perno / Boulon (7)



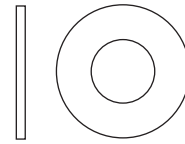
M8x20mm Bolt / Perno / Boulon (9)



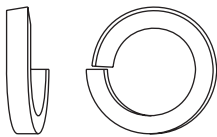
M10 Nylon Locknut  
Écrou en Nylon /  
Contyatuercas de nilón (8)



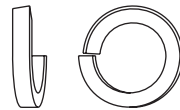
M10 Washer  
Arandela / Rondelle (10)



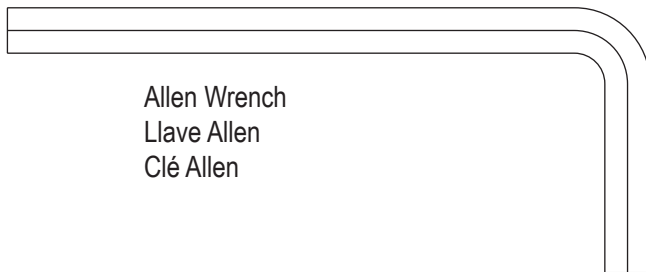
M8 Washer  
Arandela / Rondelle (11)



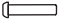


M10 Spring Washer (13)

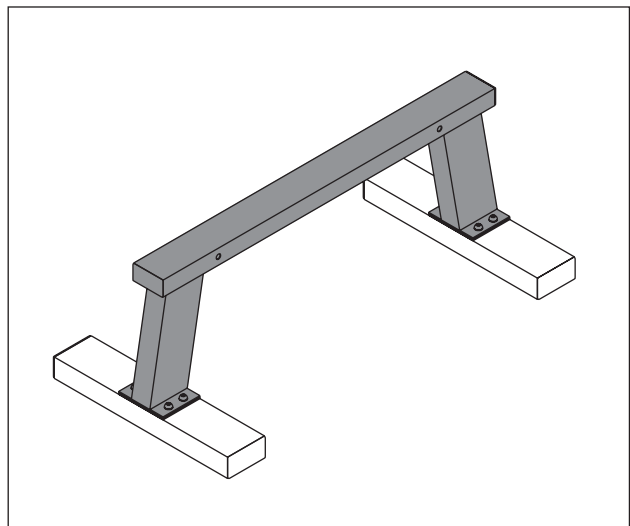
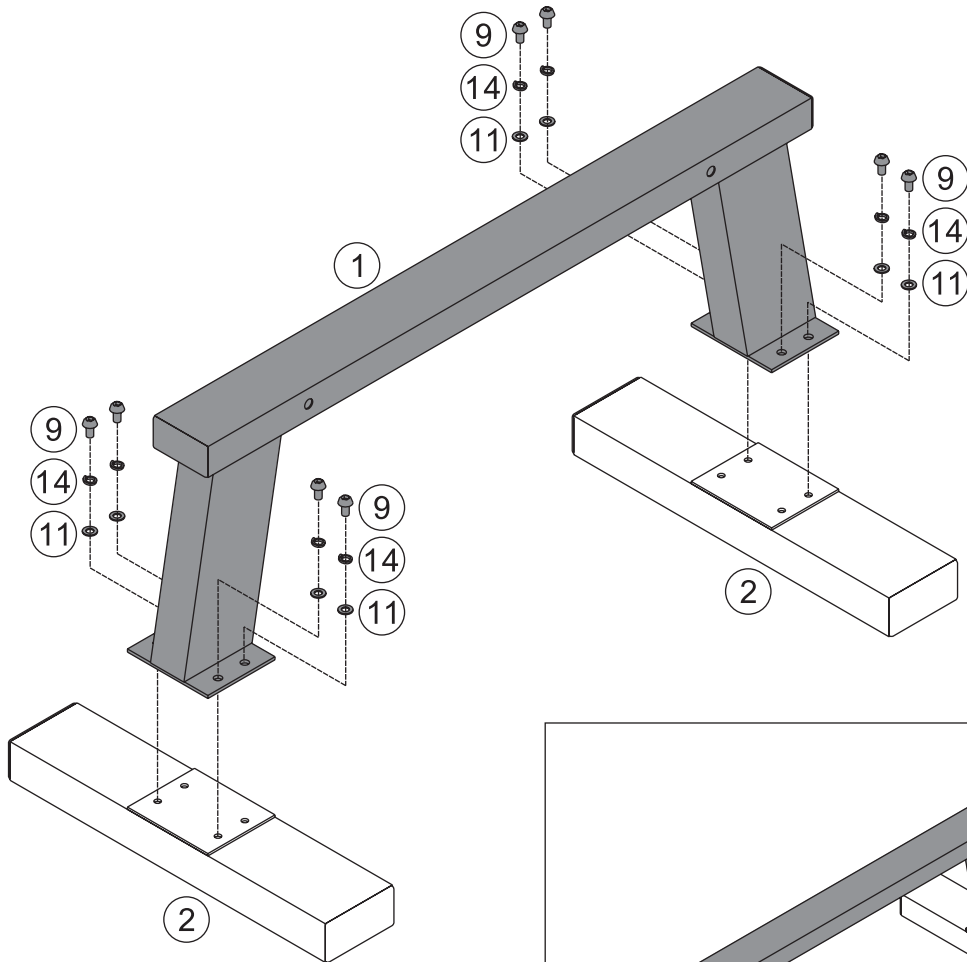
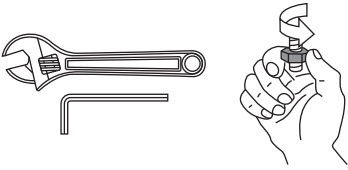


M8 Spring Washer (14)

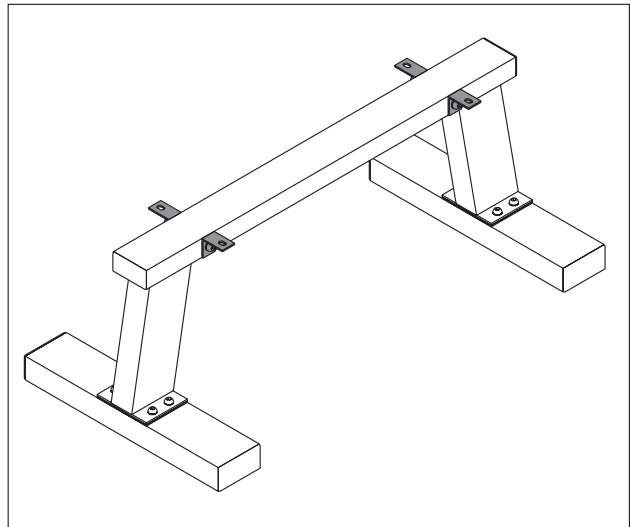
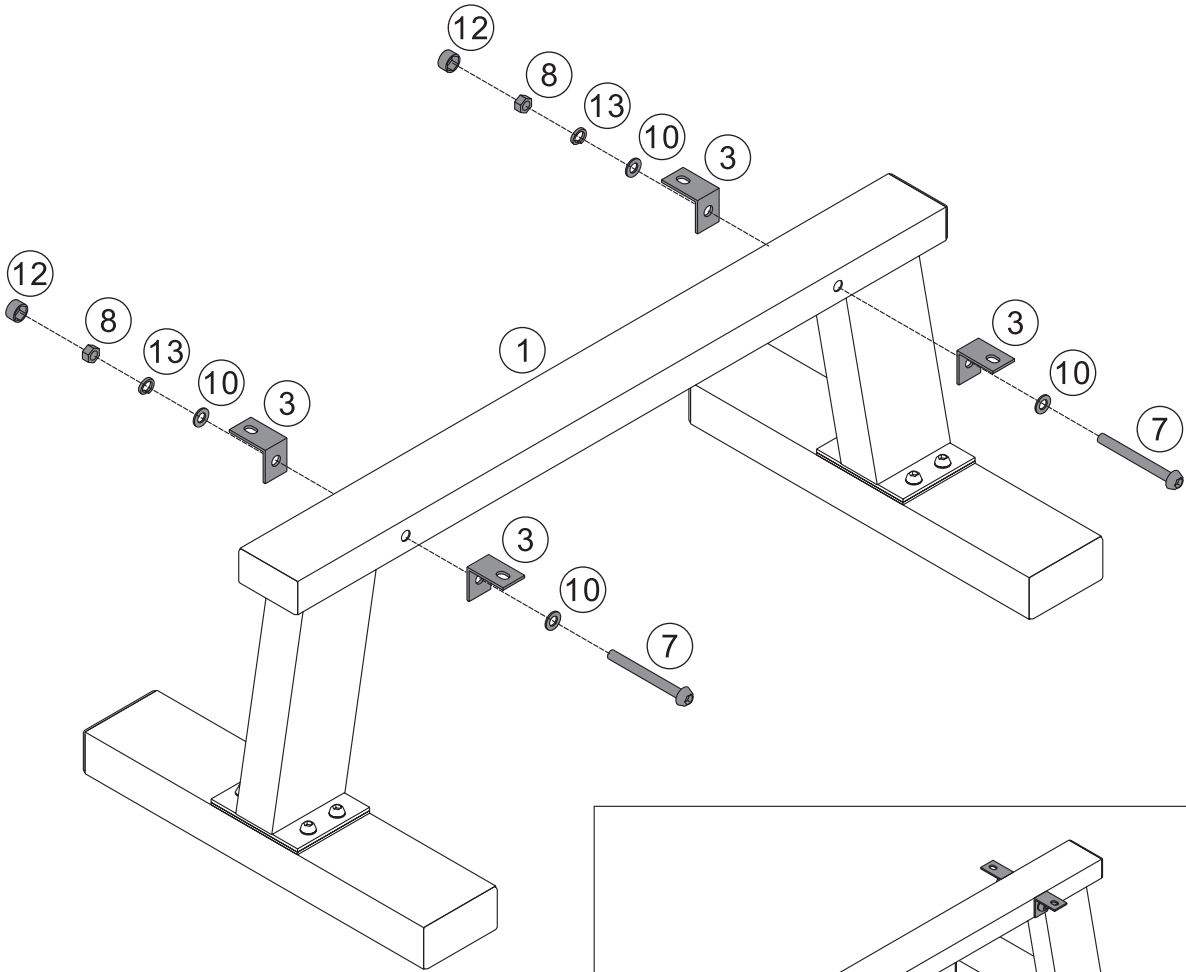
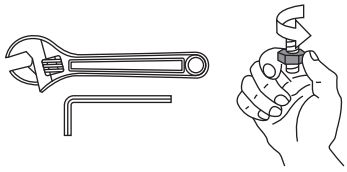


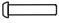


Allen Wrench  
Llave Allen  
Clé Allen

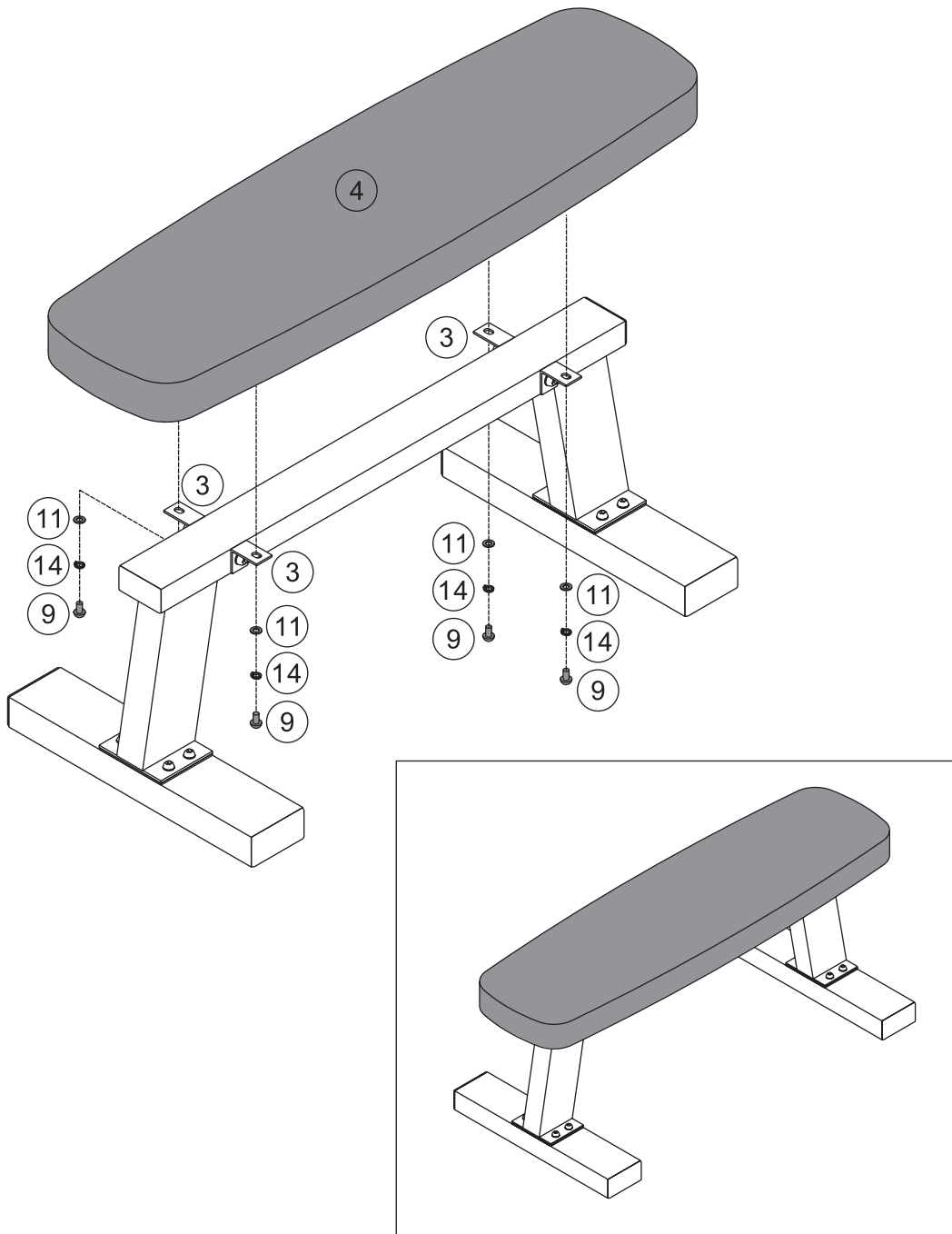
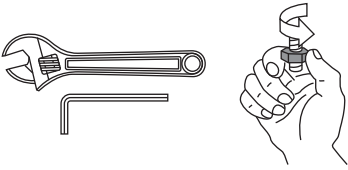
- |   |   |             |
|---|---|-------------|
| ⑨ |  | ×8 M8×20mm  |
| ⑪ |  | ×8 Ø16xØ8.4 |
| ⑭ |  | ×8 M8       |

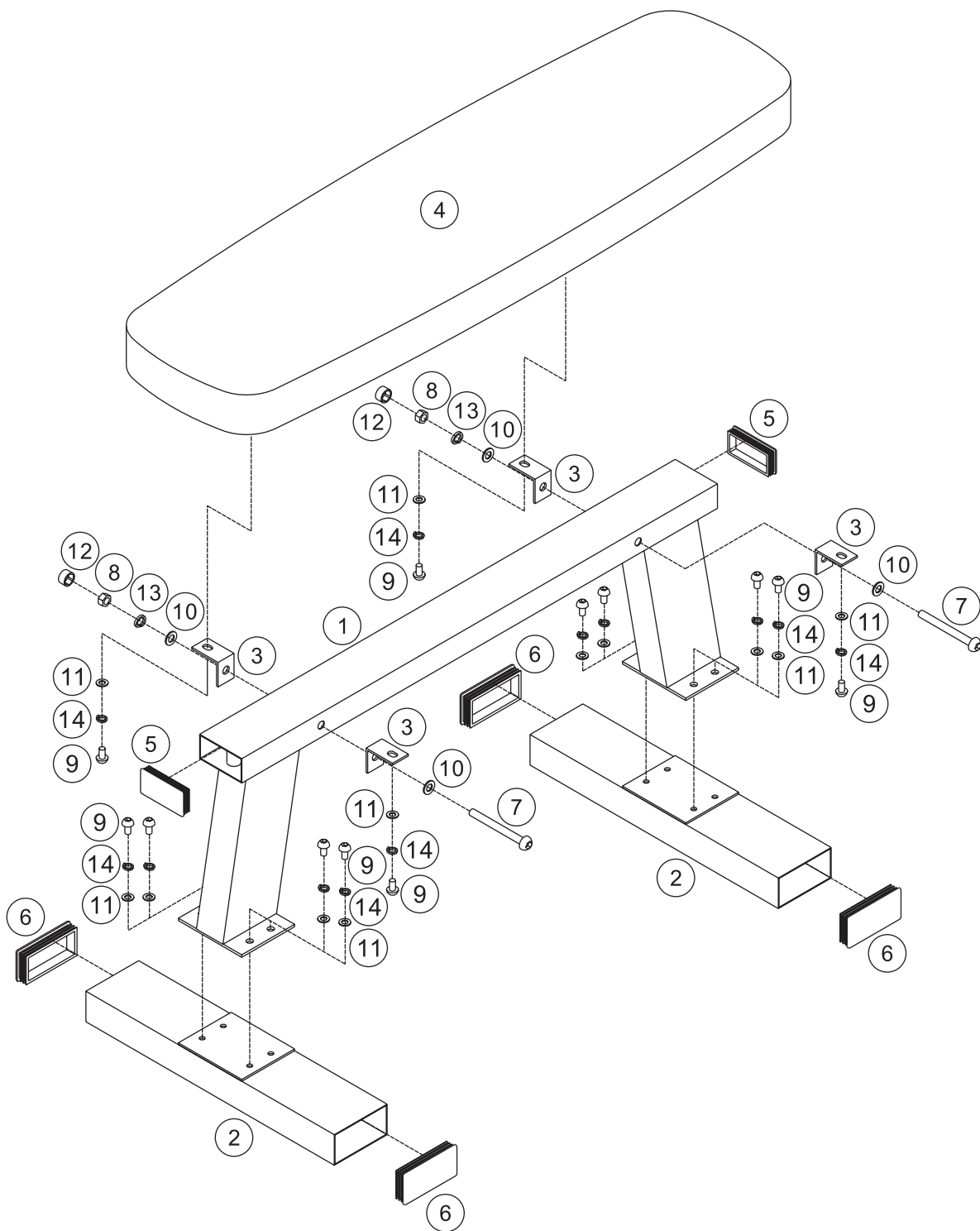


- |   |   |              |
|---|---|--------------|
| ⑦ |  | ×2 M10×100mm |
| ⑧ |  | ×2 M8        |
| ⑩ |  | ×4 M10       |
| ⑫ |  | ×2           |
| ⑬ |  | ×2           |



- |   |   |             |
|---|---|-------------|
| ⑨ |  | ×4 M8×20mm  |
| ⑪ |  | ×4 Ø16xØ8.4 |
| ⑭ |  | ×4 M8       |





No.	Part No.	Description	Qty.
1	FMAD613-01	Seat Support Frame	1
2	FMAD613-02	Base Frame	2
3	FMAD613-03	L-shaped Seat Bracket	4
4	FMAD613-04	Seat Pad	1
5	PFM3002-03	40x80mm Square Inner Cap	2
6	FMAD613-05	50x100mm Square Inner Cap	4
7	PFM2101-24	M10 x 100mm Bolt	2
8	PRK1-05	M10 Nylon Locknut	2
9	PFM2006-23	M8 x 20mm Bolt	12
10	PRK1-06	M10 Washer	4
11	PFM2006-27	M8 Washer	12
12	FMAD614AB-23	Bolt Cover Cap	2
13	FMAD613-06	M10 Spring Washer	2
14	FMAD613-07	M8 Spring Washer	12



## **Product Guarantee:**

This product is guaranteed against manufacturing defects for a period of **ONE year**.

- In the event of a problem with the product with in the guarantee period call the

**Customer Helpline: 0800 440 2459.**

- 质保期内，一旦产品出现问题，请拨打

**客户热线：0086-411-82766207**

- I tilfælde af et problem med produktet inden for garantien kan du ringe til

**Kundehjælpelinjen: +45 2859 1998.**

- Mikäli tuotteessa ilmenee ongelma takuuajan kuluessa, soita

**Asiakaspalveluun: +45 2859 1998.**

- Si vous rencontrez un problème avec le produit pendant la période de garantie, veuillez appeler notre

**Assistance téléphonique client : +33 (0)171 82 84 99.**

- Im Falle eines Problems mit dem Produkt innerhalb des Garantiezeitraums rufen Sie bitte folgen de Nummer an

**Kundendienst: +49 (0) 6431 58463-0.**

- Σε περίπτωση προβλήματος με το προϊόν εντός της περιόδου εγγύησης, τηλεφωνήστε στη

**Γραμμή Βοήθειας Πελατών: +30 210 2758228.**

- In caso di problemi con il prodotto durante il periodo di garanzia, contattare il numero di

**Assistenza Clienti: +49 (0) 6431 58463 13.**

- In het geval van een probleem met het product binnen de garantieperiode, neemt u Contact op m et

**de klantenservice: +49 (0)6 431 58 4630.**

- Ved et problem med produktet innen garantiperioden ring

**Kundeservice: +45 2859 1998.**

- Caso ocorra algum problema com o produto durante a garantia, contacte a

**Linha de Apoio a Clientes: +35 1 96 10 14 778.**

- Si experimenta algún problema con el producto dentro del plazo de garantía, puede contactar co n nosotros a través de:

**Teléfono de atención al cliente: +34 800 600 816.**

- Om problem med produkten uppstår under garantiperioden, kontakta

**Kundtjänst: +46 (0)40-303144.**

- Garanti süresi içinde ürünle ilgili herhangi bir sorun yaşanması durumunda, şu Numarayı arayınız:

**Müşteri Yardım Hattı: +90 212 8757901.**